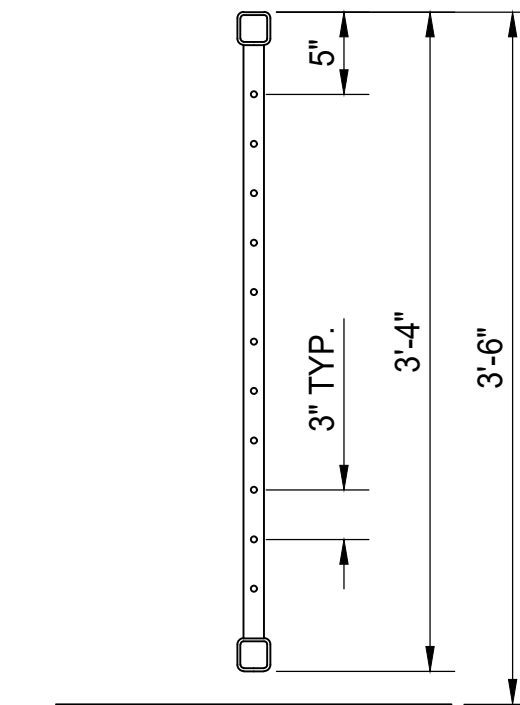
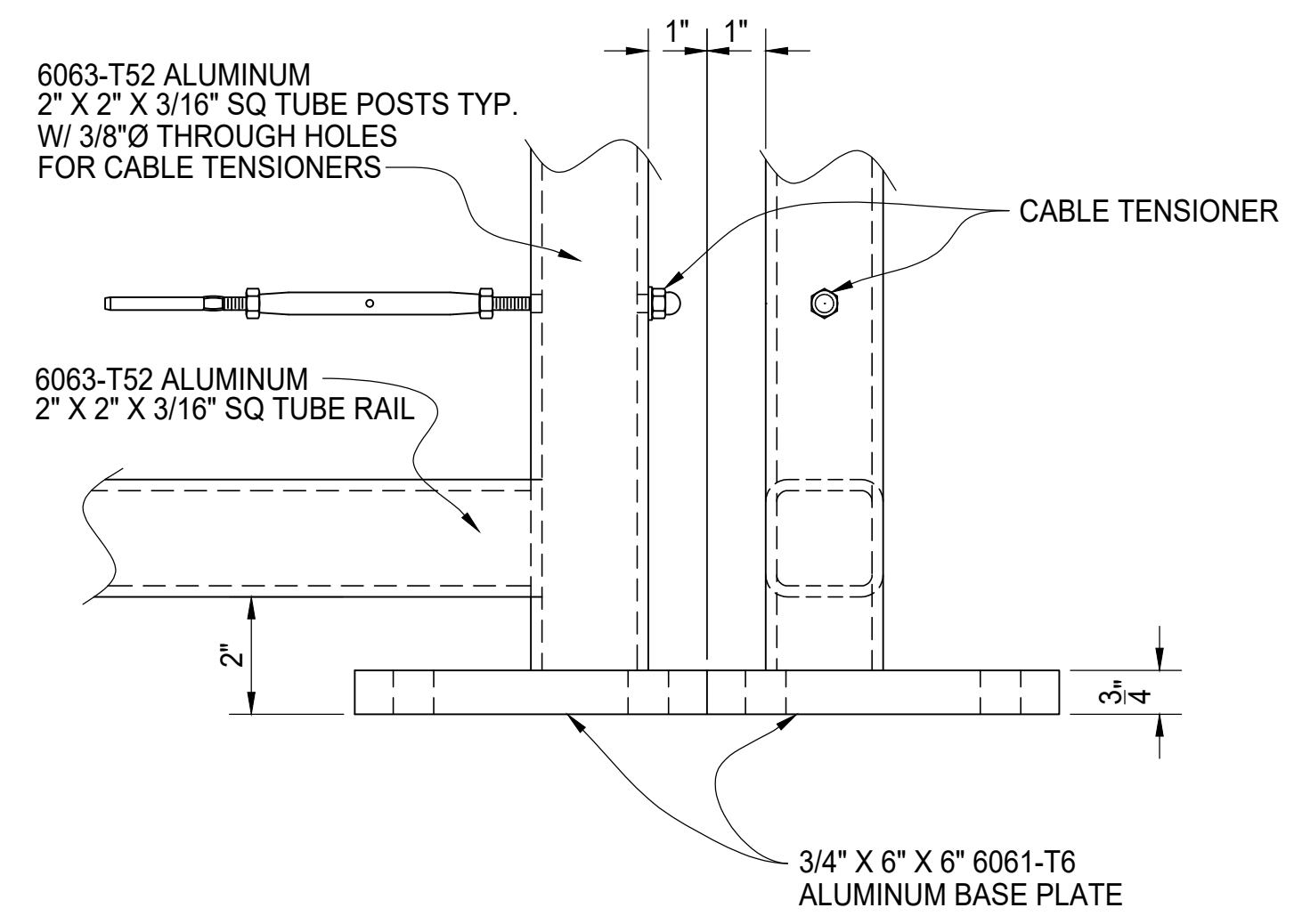


ELEVATION VIEW OF CABLE FENCING

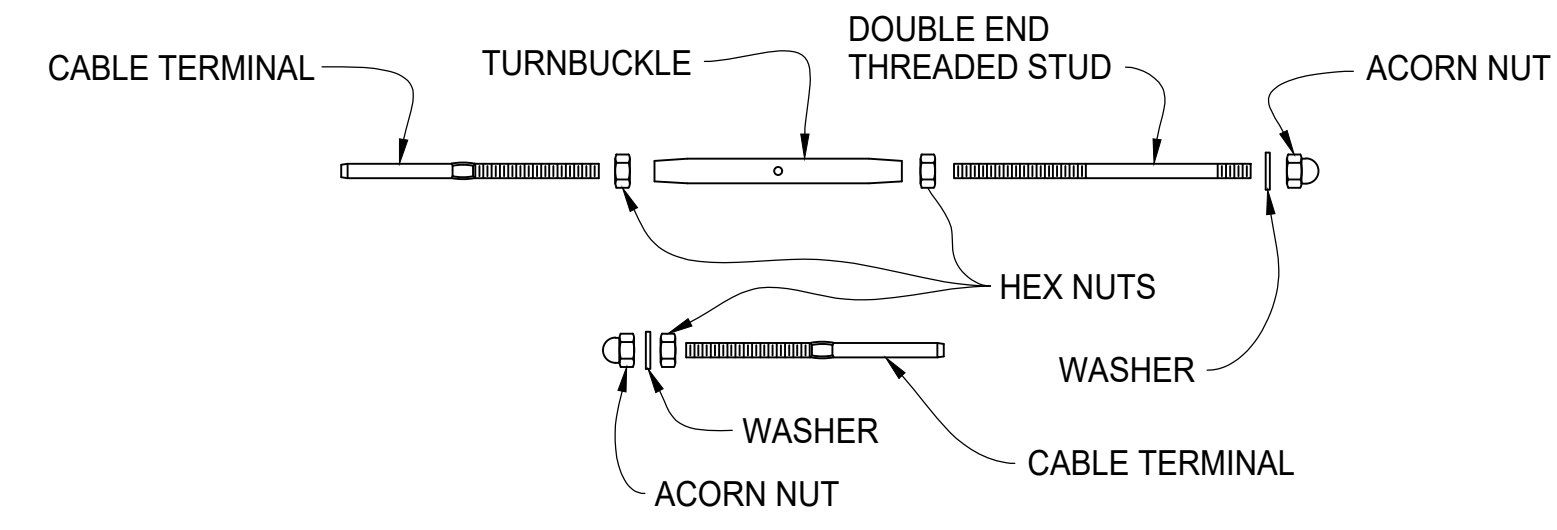
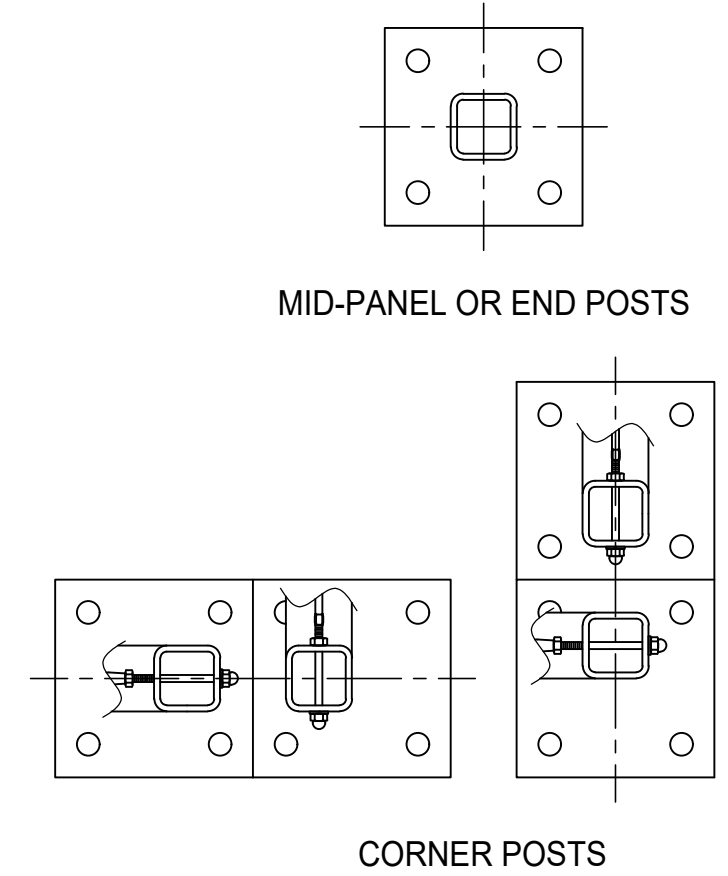


TYPICAL PANEL SECTION

CORNER POSTS



A CABLE PANEL BASE PLATE DETAIL



B CABLE TENSIONER DETAIL



RUGA CABLE RAILING
42" TALL ELEVATION VIEW
WITH DETAILS

AMERICAN FENCE PROJECT #	CLIENT PROJECT #
REFERENCE JOB #	
CHKD BY:	SCALE: NTS
DRAWN BY: PB	DATE: 05/28/2020
REV:	SHEET # 01