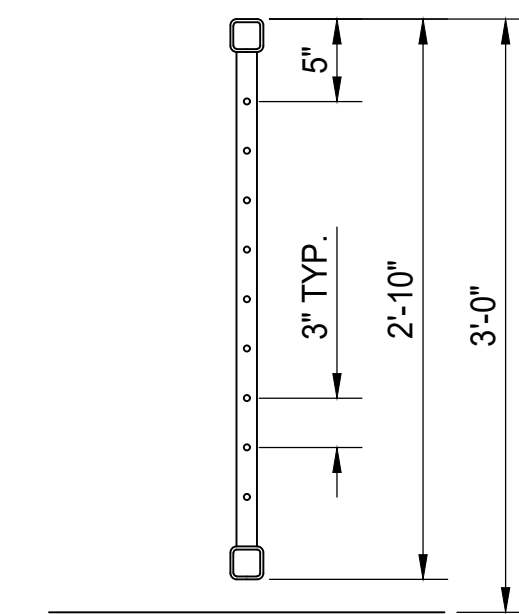
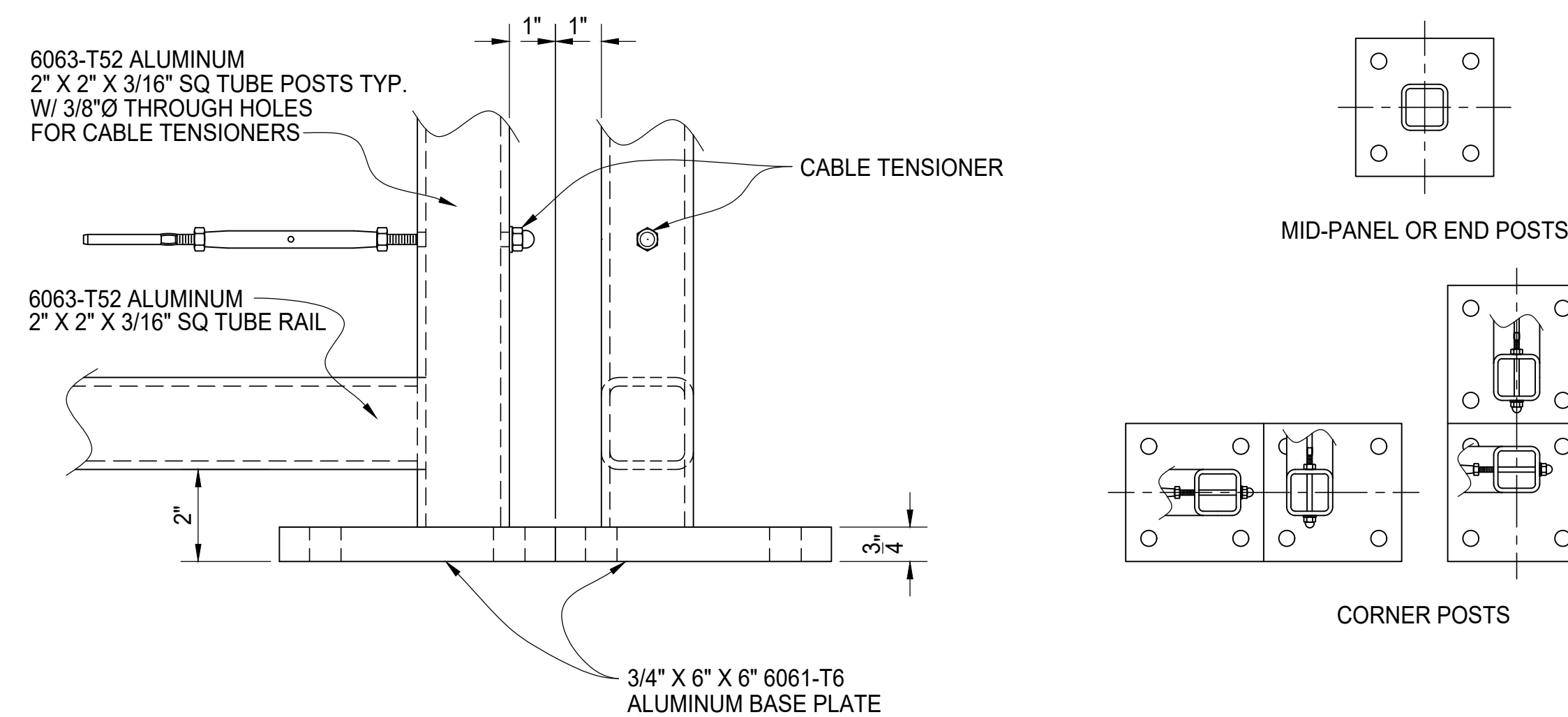


**ELEVATION VIEW OF CABLE FENCING**

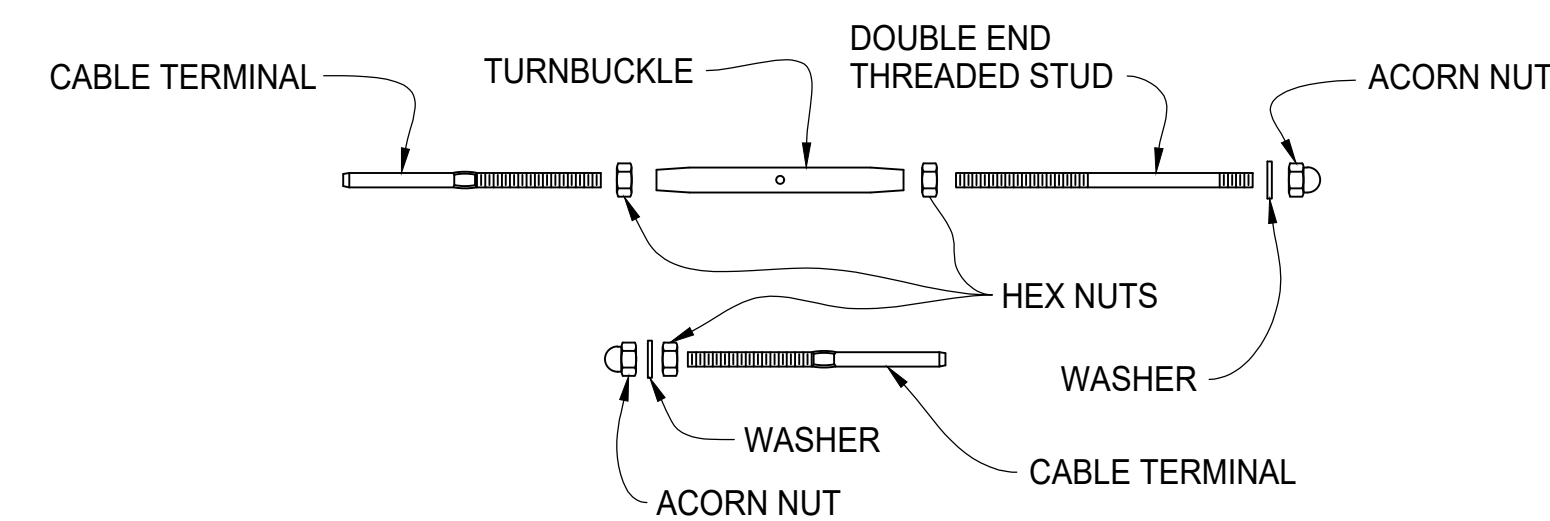


**TYPICAL PANEL SECTION**

**CORNER POSTS**



**A CABLE PANEL BASE PLATE DETAIL**



**B CABLE TENSIONER DETAIL**

**RUGA CABLE RAILING  
36" TALL ELEVATION VIEW  
WITH DETAILS**

AMERICAN FENCE PROJECT #	CLIENT PROJECT #
REFERENCE JOB #	DRAWN BY: PB DATE: 05/28/2020 REV: SHEET # 01
SCALE: NTS	