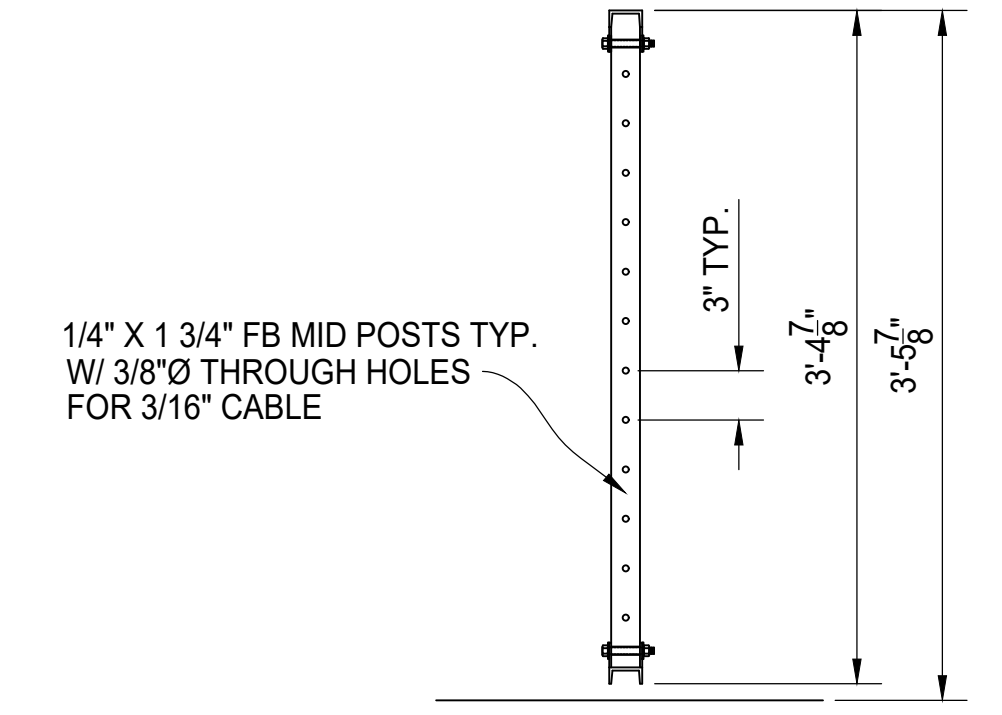
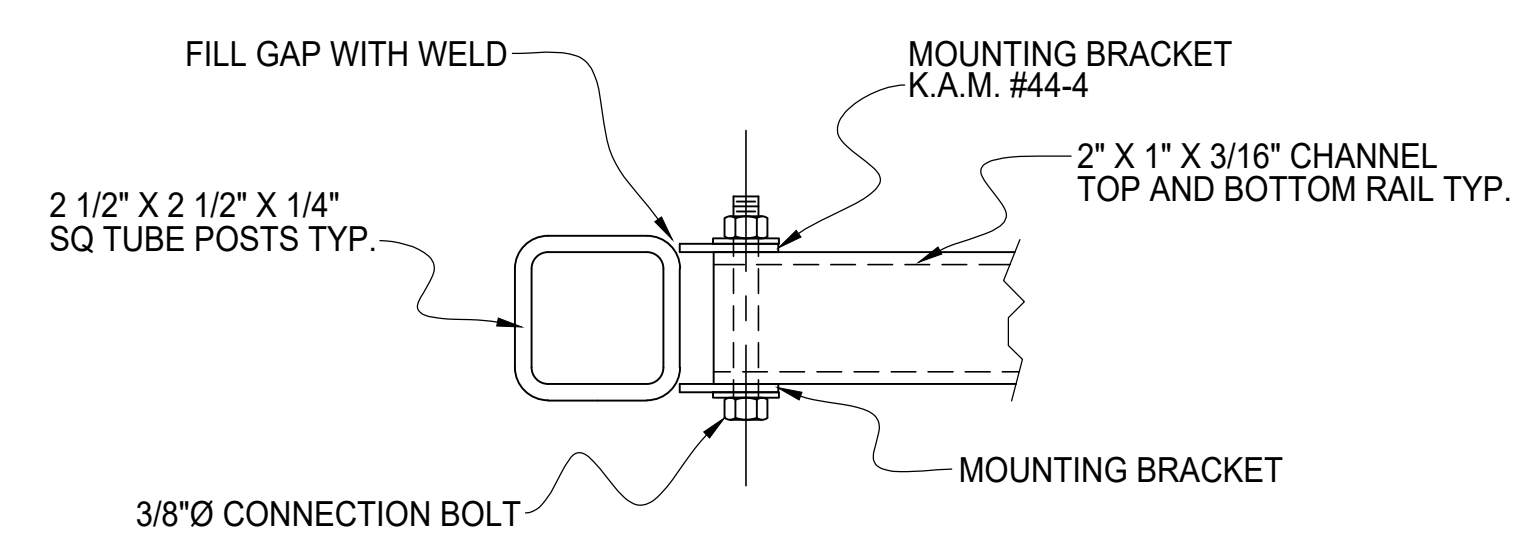


**ELEVATION VIEW OF CABLE FENCING**

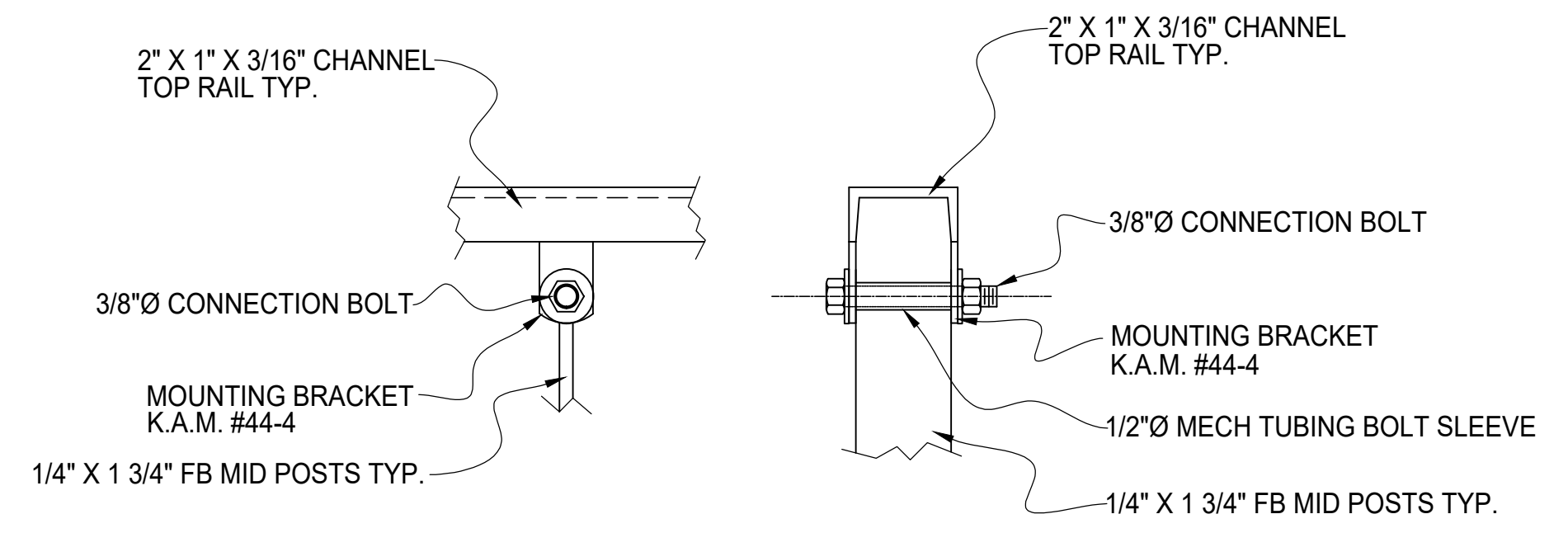
NOTE: RAILING CAN BE IN STRAIGHT RUN OR ON AN INCLINE.  
INCLINE NOT SHOWN FOR CLARITY.



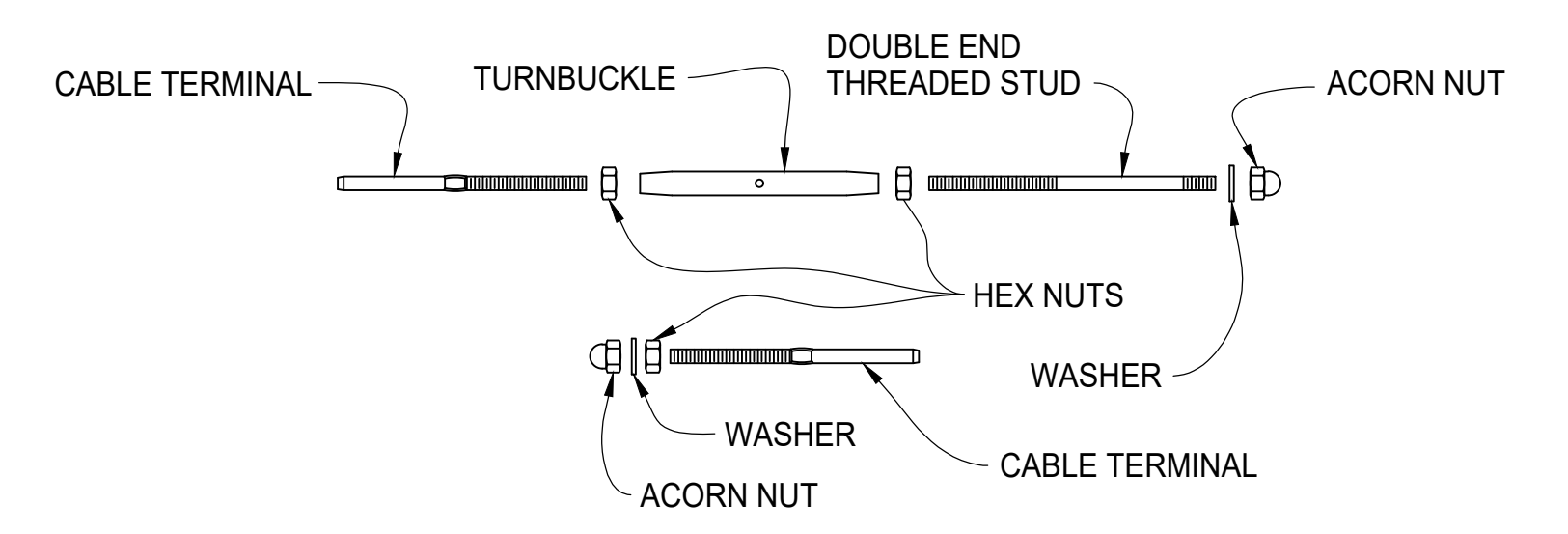
**TYPICAL PANEL SECTION**



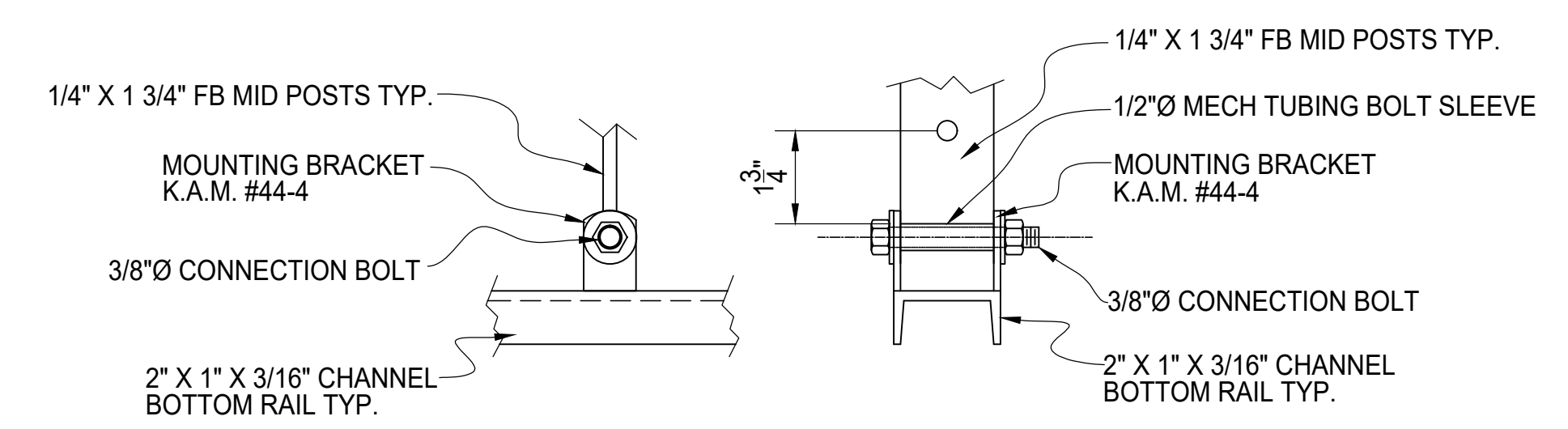
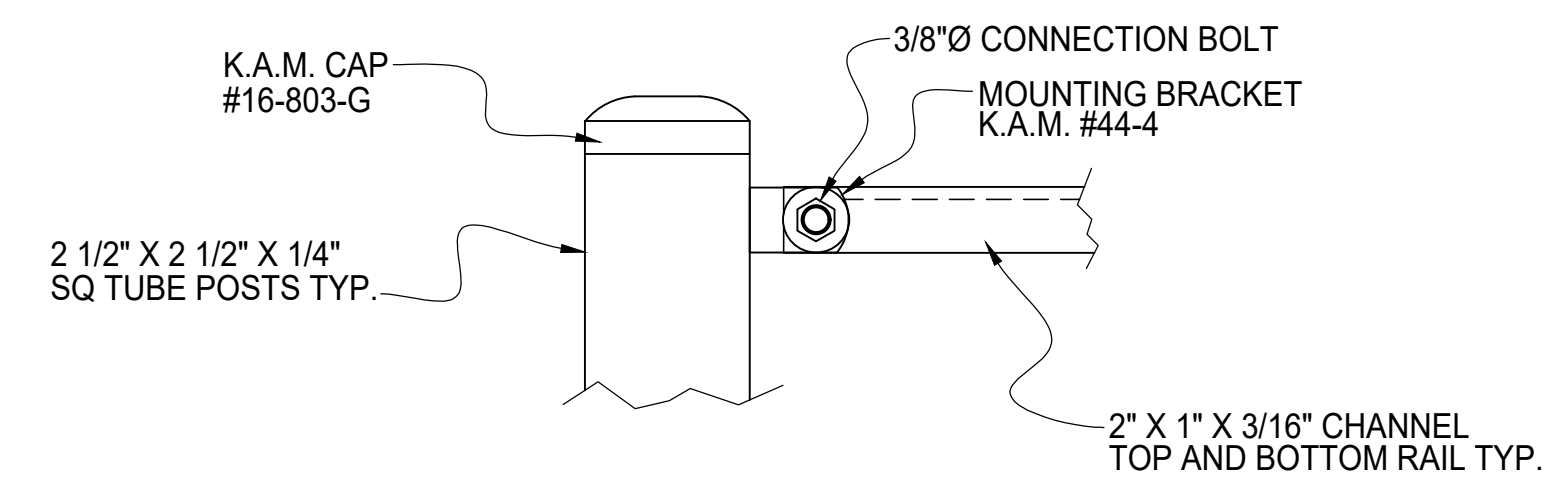
**A CONNECTION DETAIL**



**B CONNECTION DETAIL**



**D CABLE TENSIONER DETAIL**



**C CONNECTION DETAIL**



**ELLAC CABLE RAILING  
42" TALL ELEVATION VIEW  
WITH DETAILS**