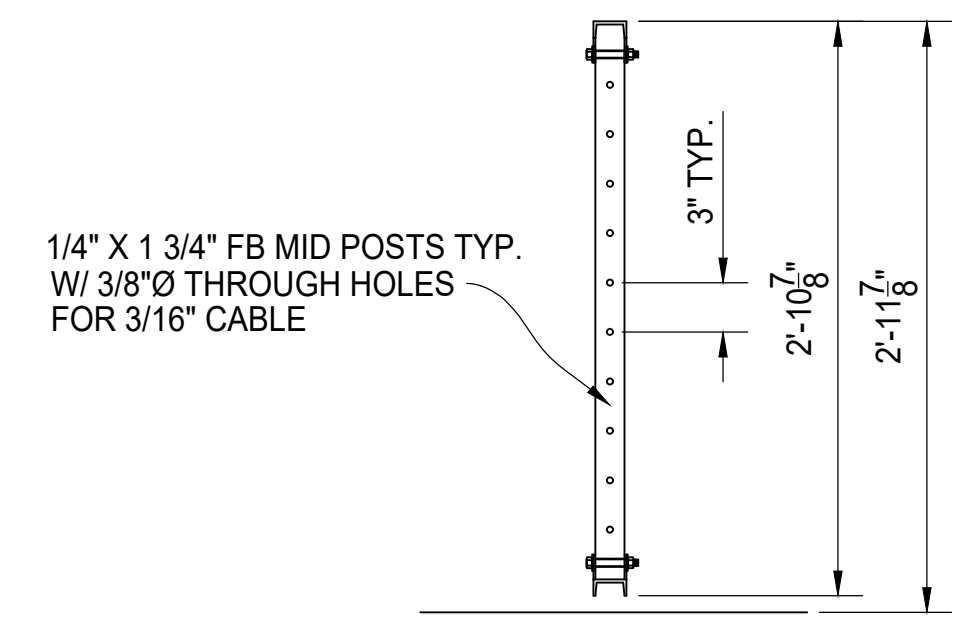
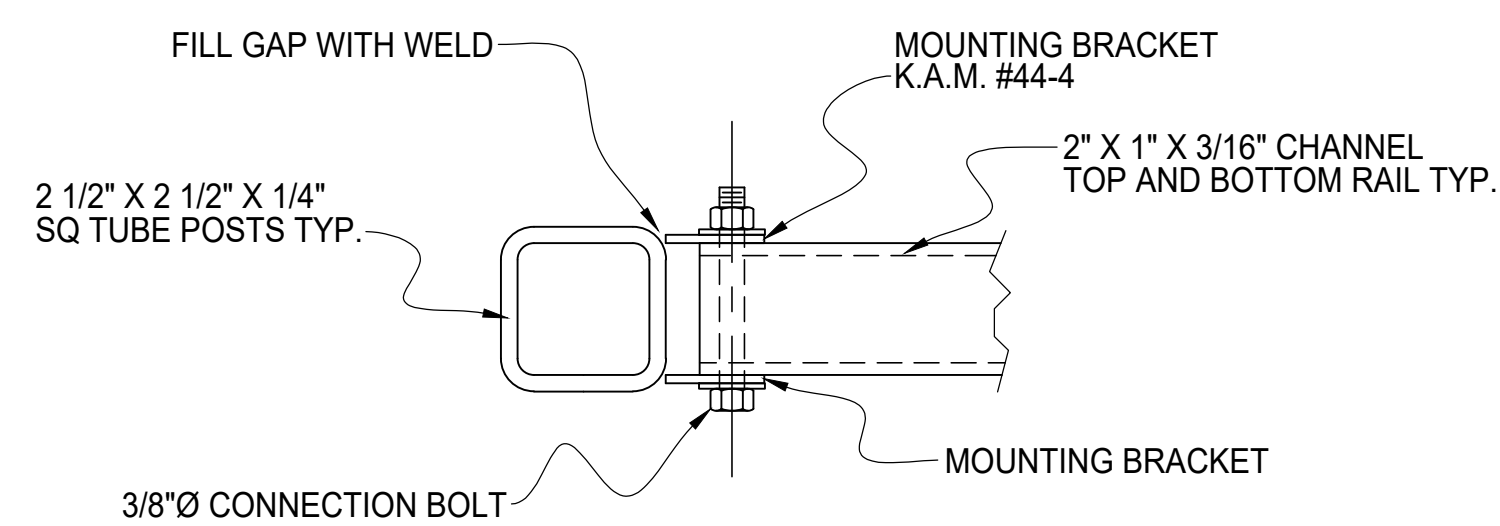


ELEVATION VIEW OF CABLE FENCING

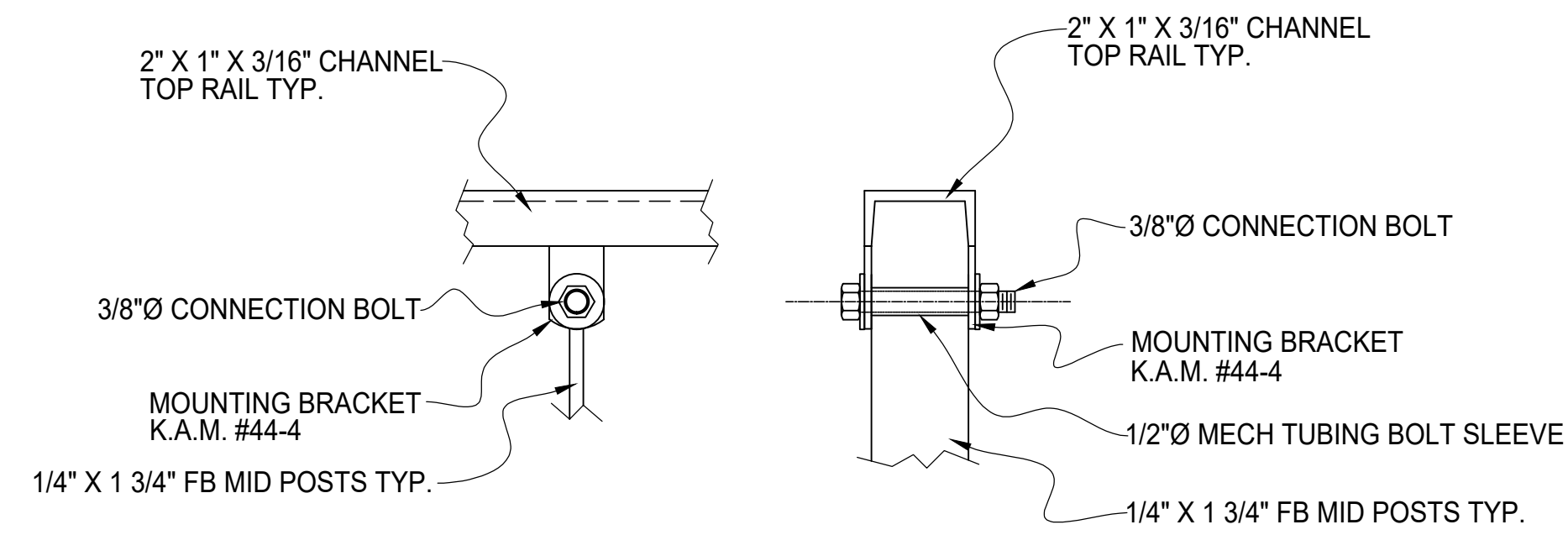
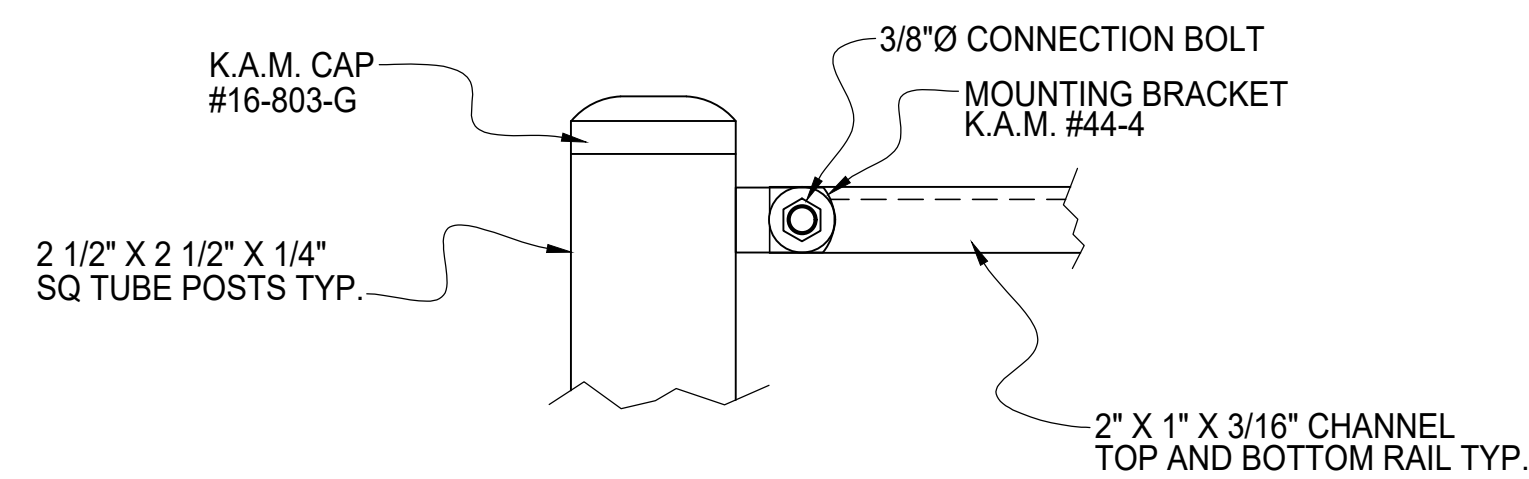
NOTE: RAILING CAN BE IN STRAIGHT RUN OR ON AN INCLINE.
INCLINE NOT SHOWN FOR CLARITY.



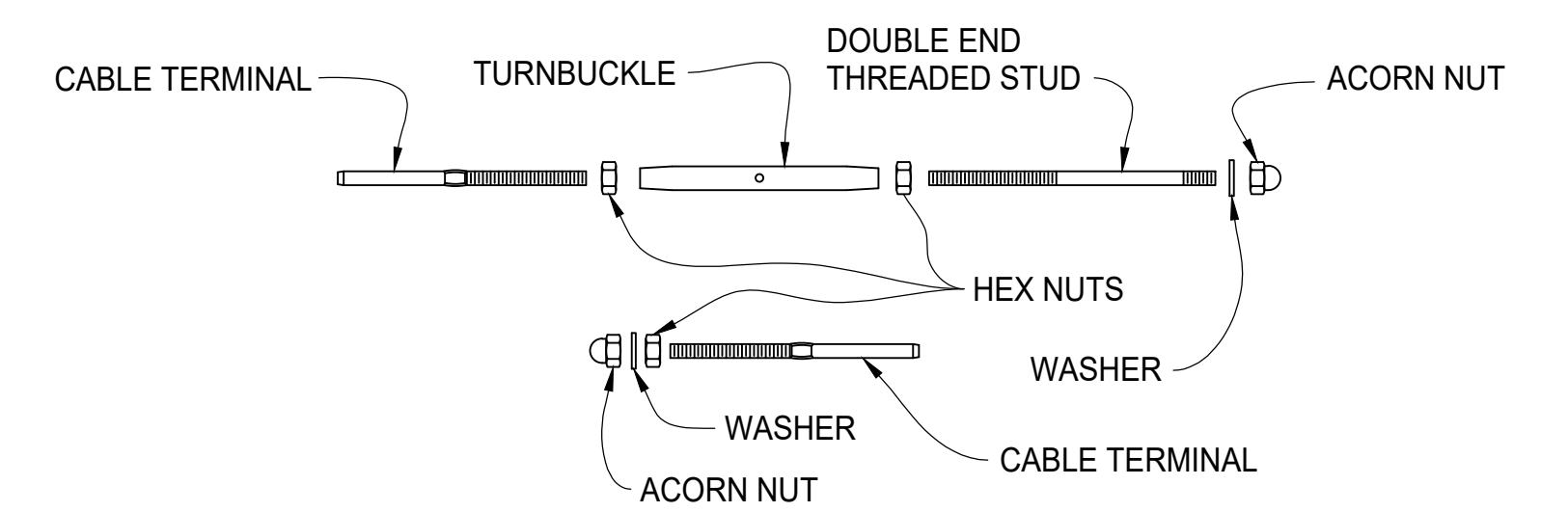
TYPICAL PANEL SECTION



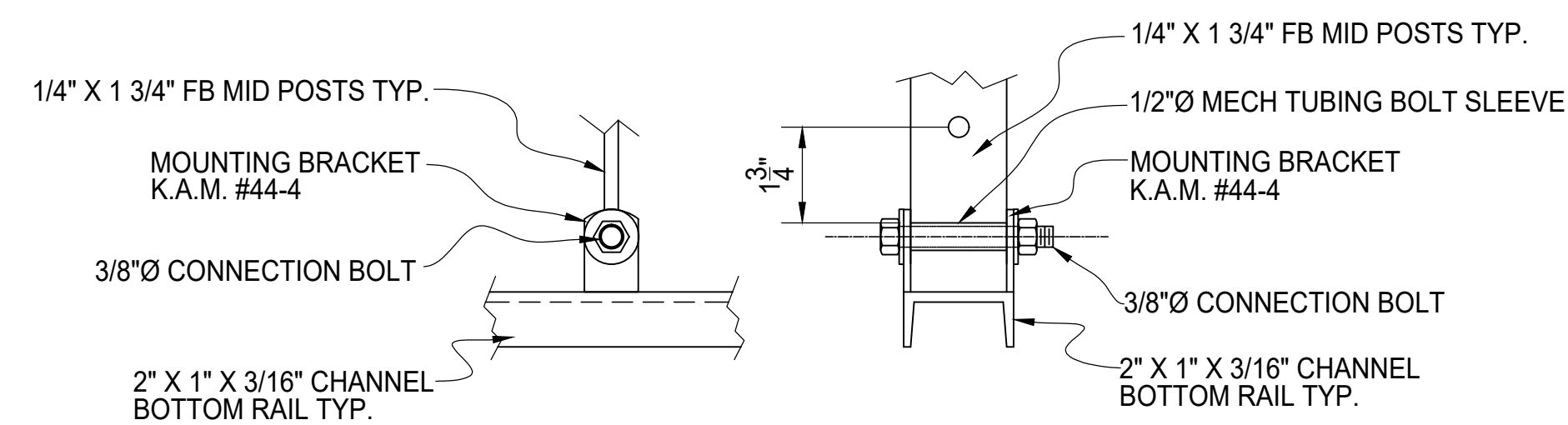
A CONNECTION DETAIL



B CONNECTION DETAIL



D CABLE TENSIONER DETAIL



C CONNECTION DETAIL

