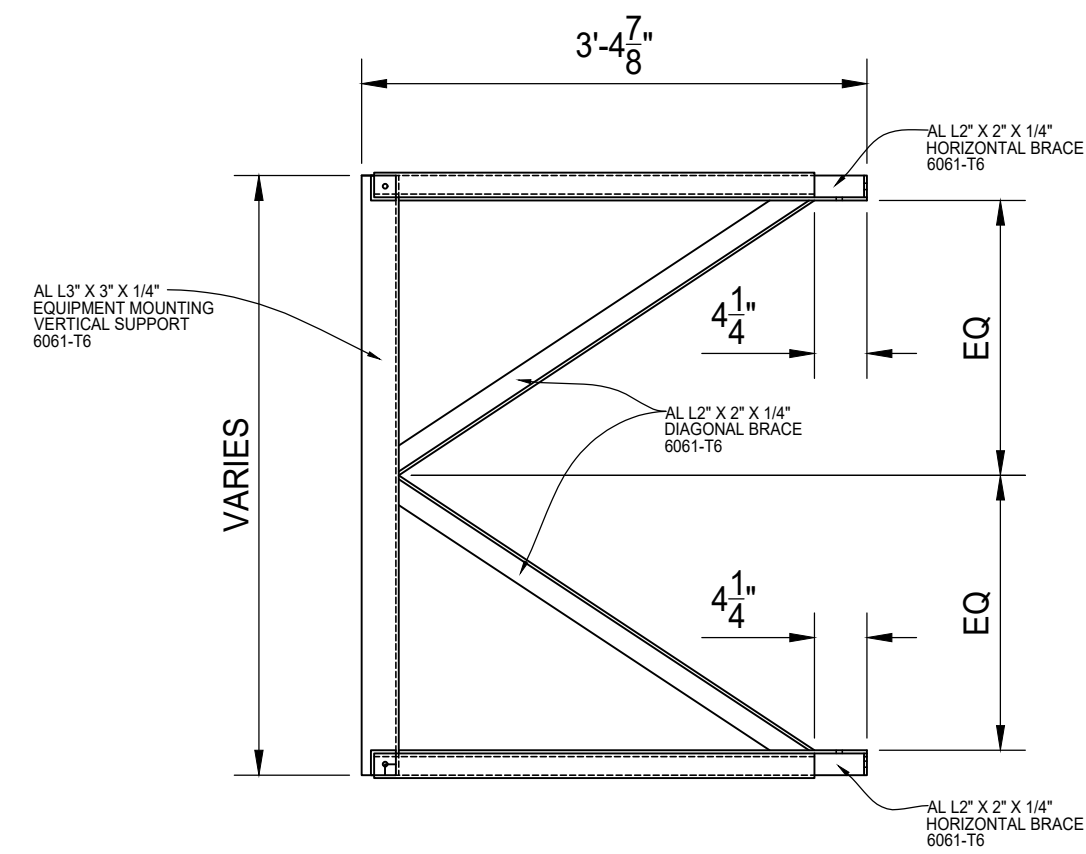
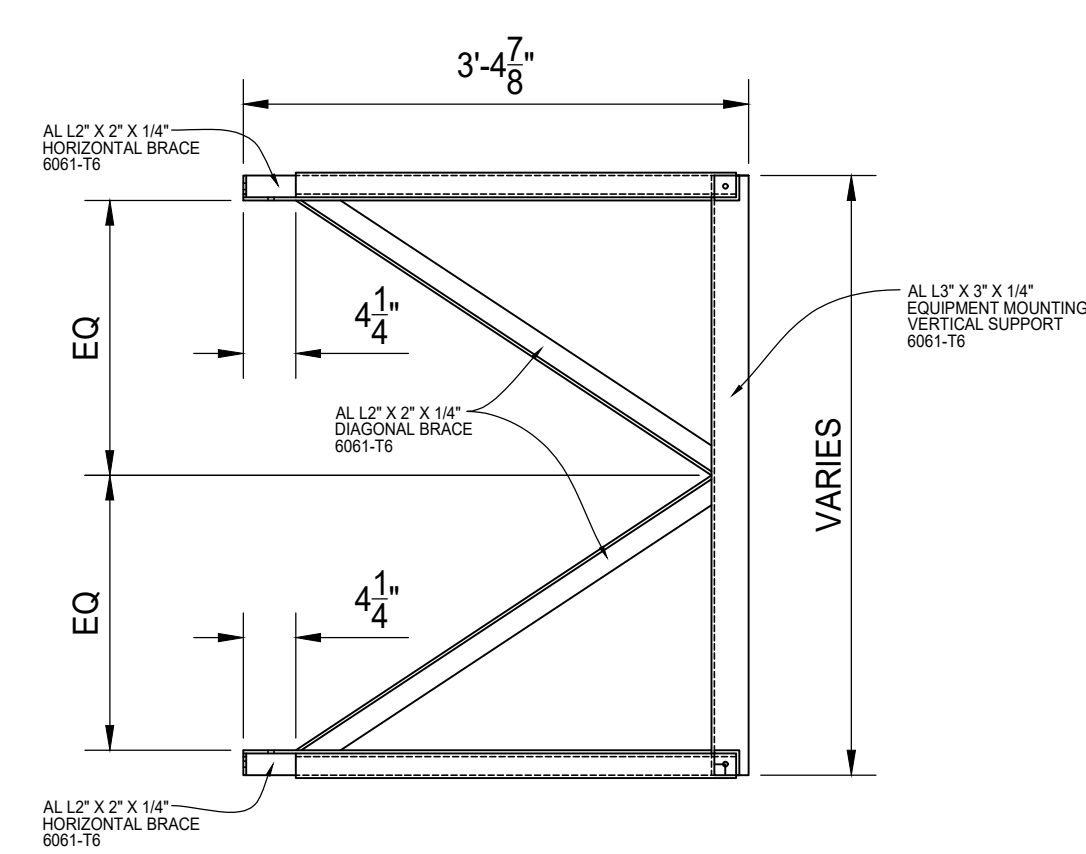


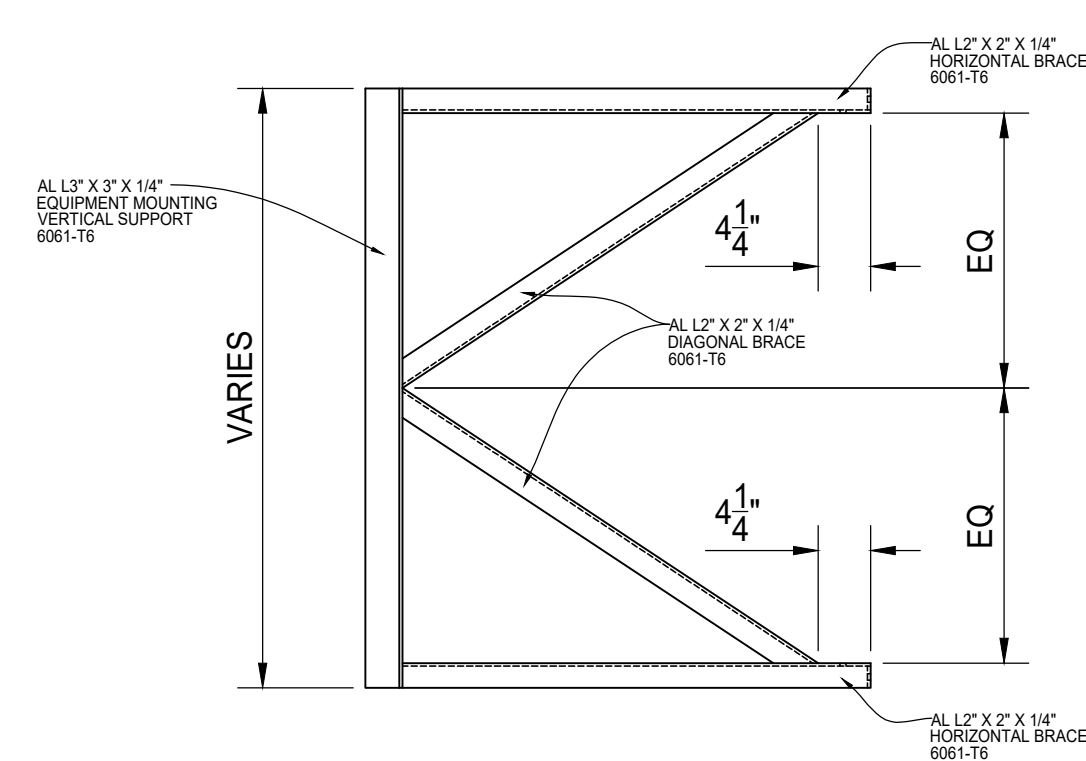
PLAN VIEW



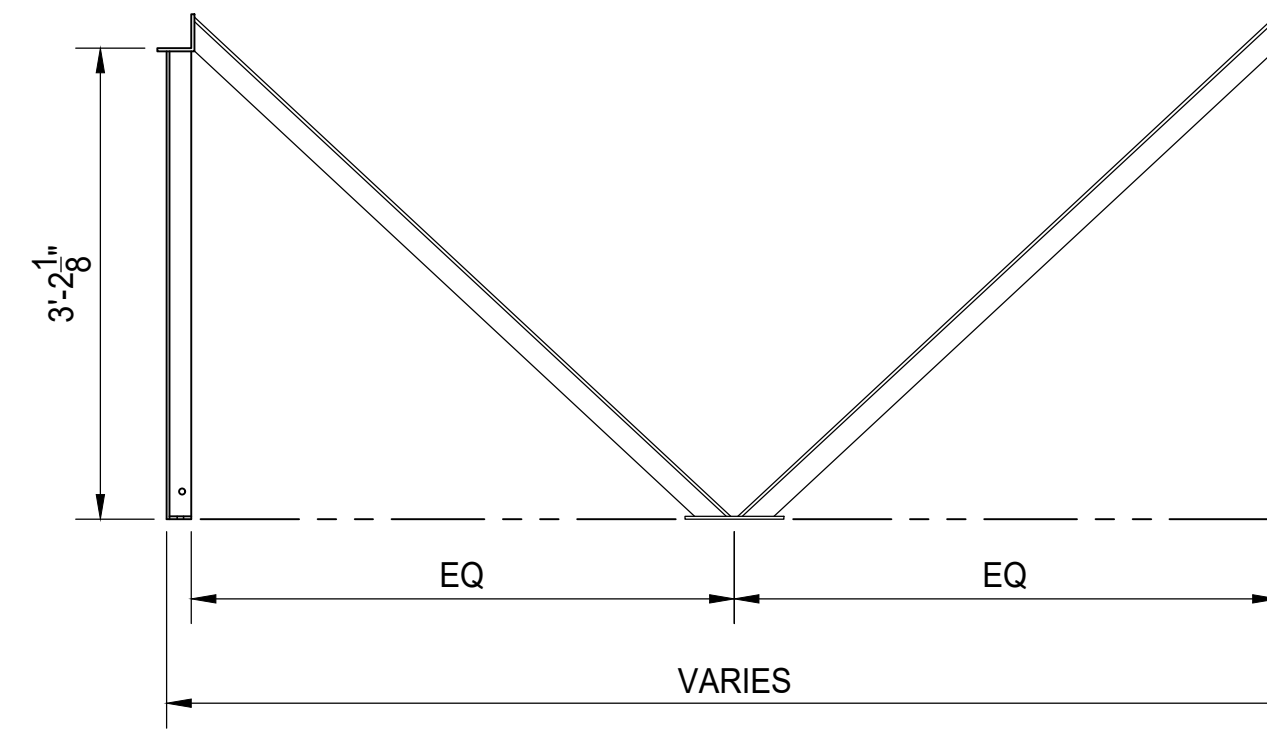
FRONT VIEW



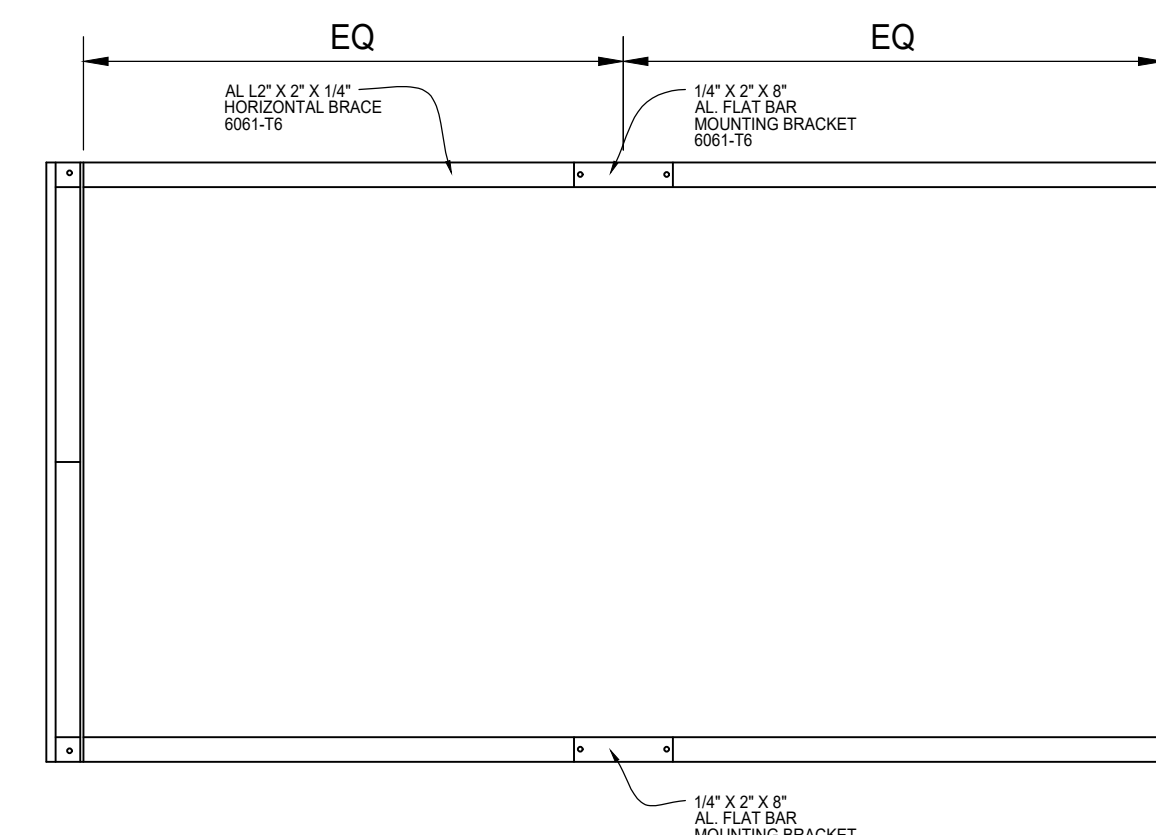
SIDE VIEW



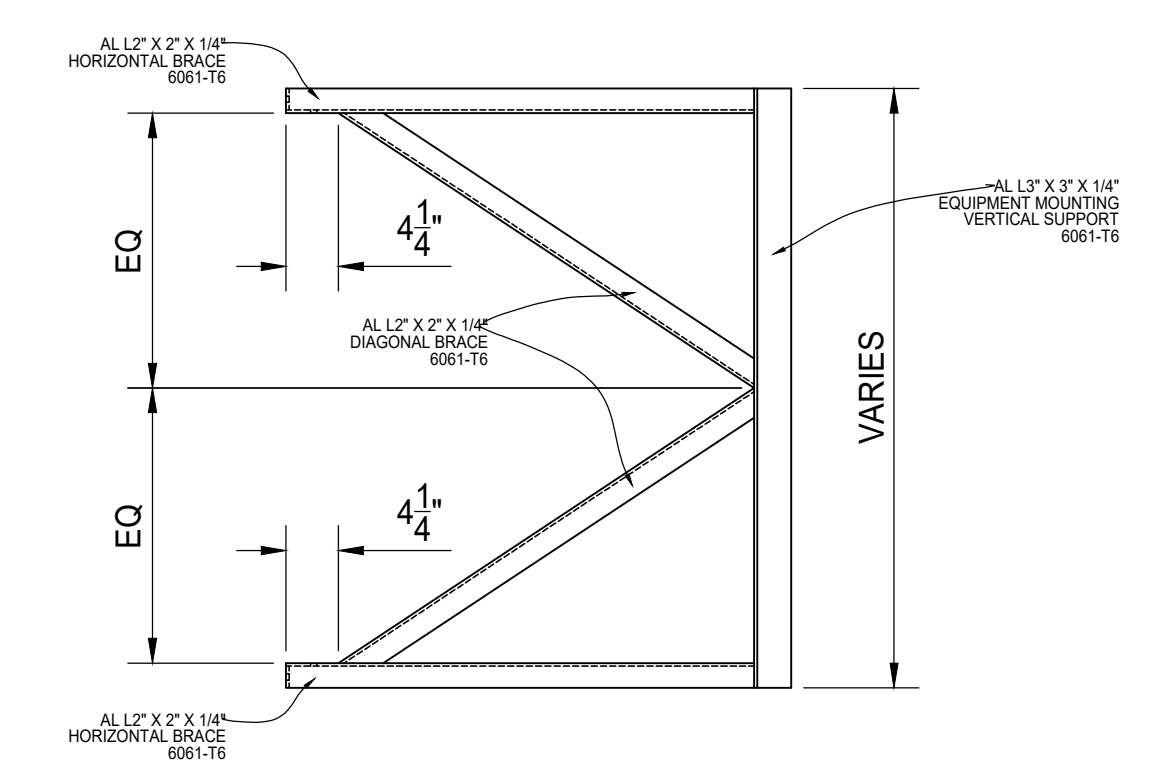
LEFT SIDE VIEW



PLAN VIEW



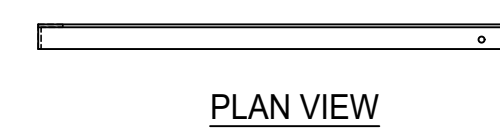
FRONT VIEW



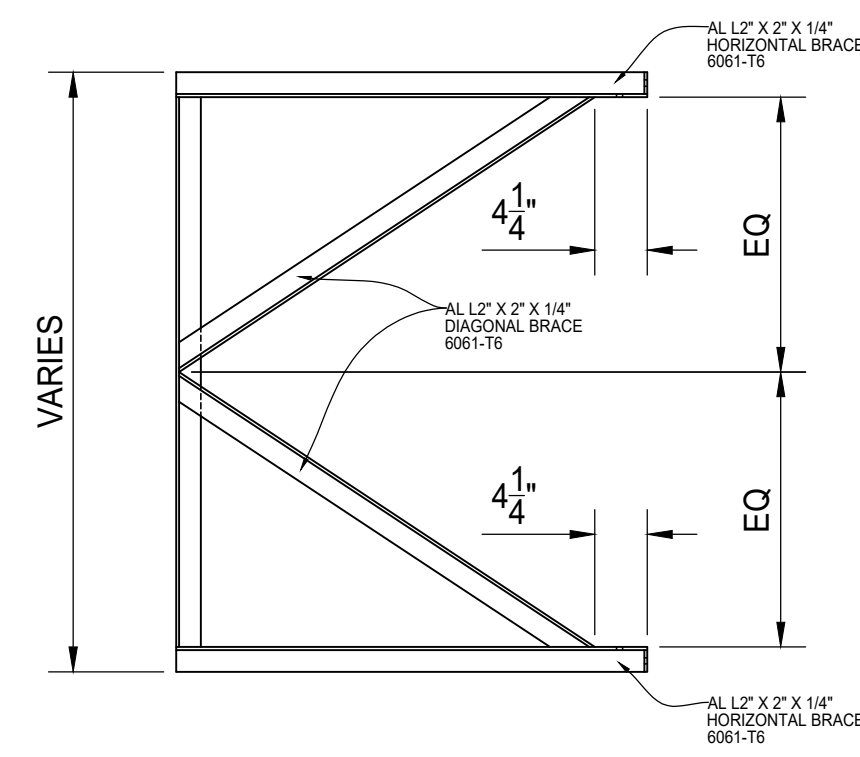
RIGHT SIDE VIEW

EQUIPMENT CORNER MOUNTING BRACKET

EQUIPMENT CORNER MOUNTING BRACKET FOR SPANNING BETWEEN EQUIPMENT

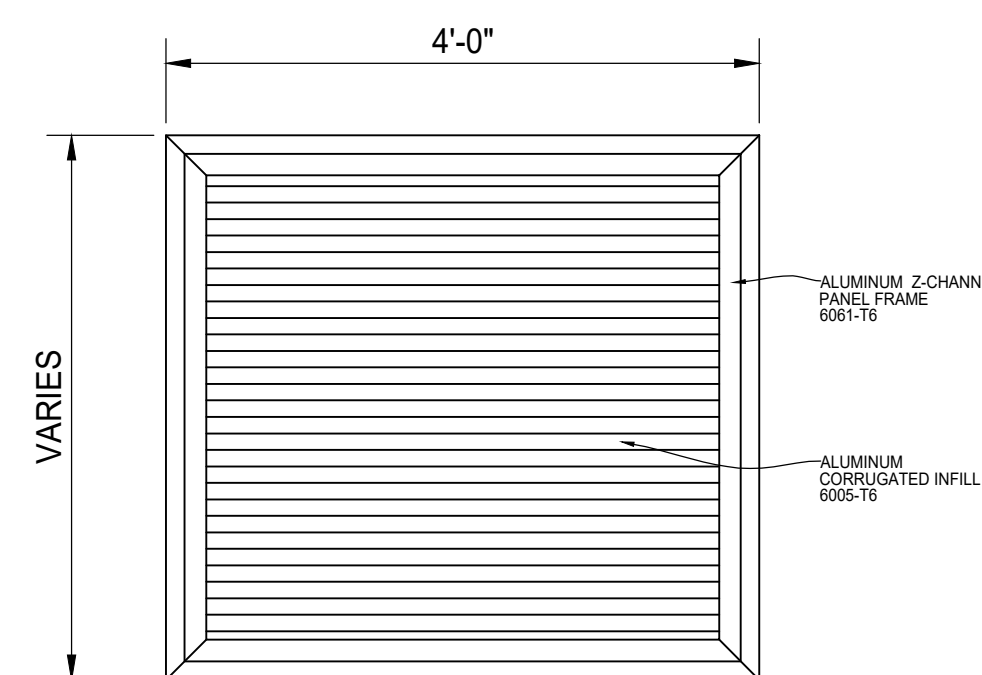


PLAN VIEW

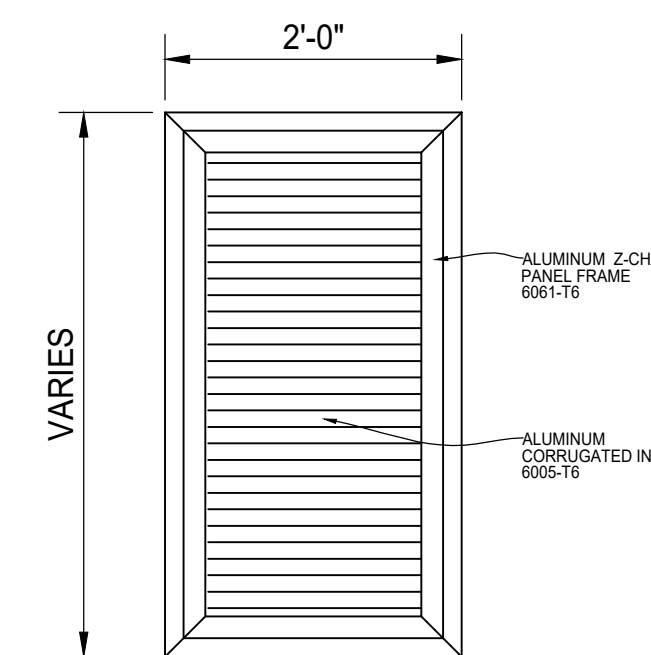


FRONT VIEW

EQUIPMENT LINE MOUNTING BRACKET



4'-0" WIDE PANEL



2'-0" WIDE PANEL

REV	DESCRIPTION	DATE



**FORTE ROOFTOP SCREENING
EQUIPMENT MOUNTED SCREENING
MOUNTING BRACKET & PANEL DETAILS**

PALMSHIELD PROJECT # PSRS24-0001	CLIENT RETURN BY DATE
CHKD BY: AF	TL
SCALE: 3/4" = 1'-0"	DRAWN BY: PB DATE: 12/11/2024
REV	SHEET # 04