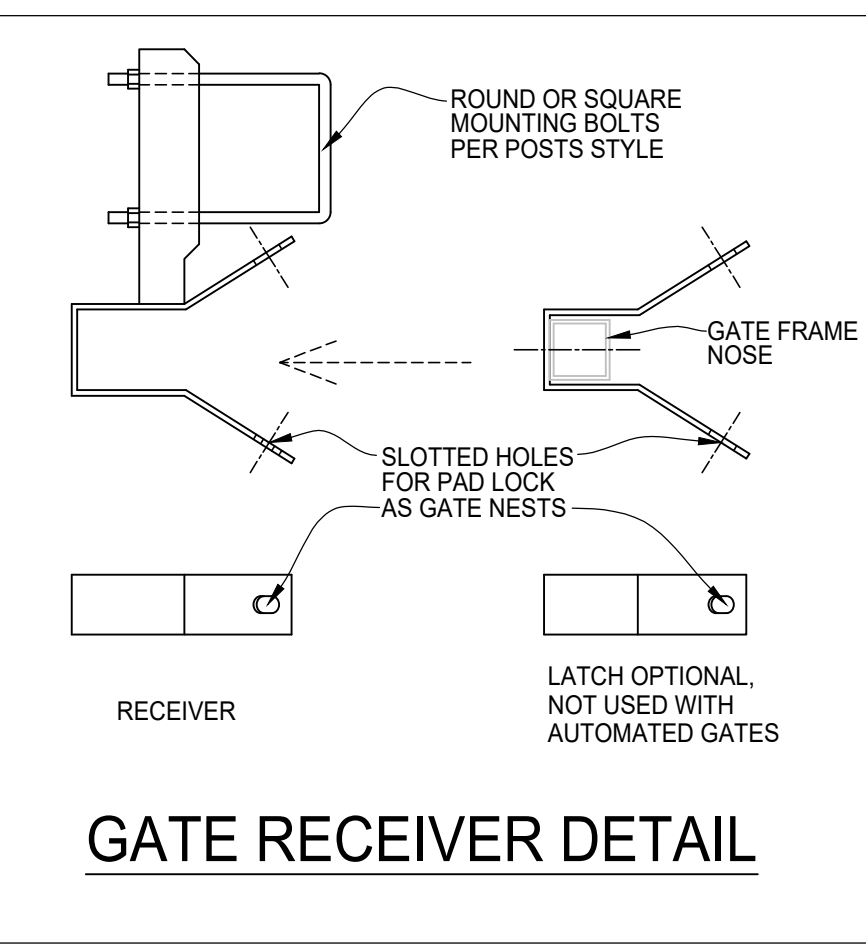
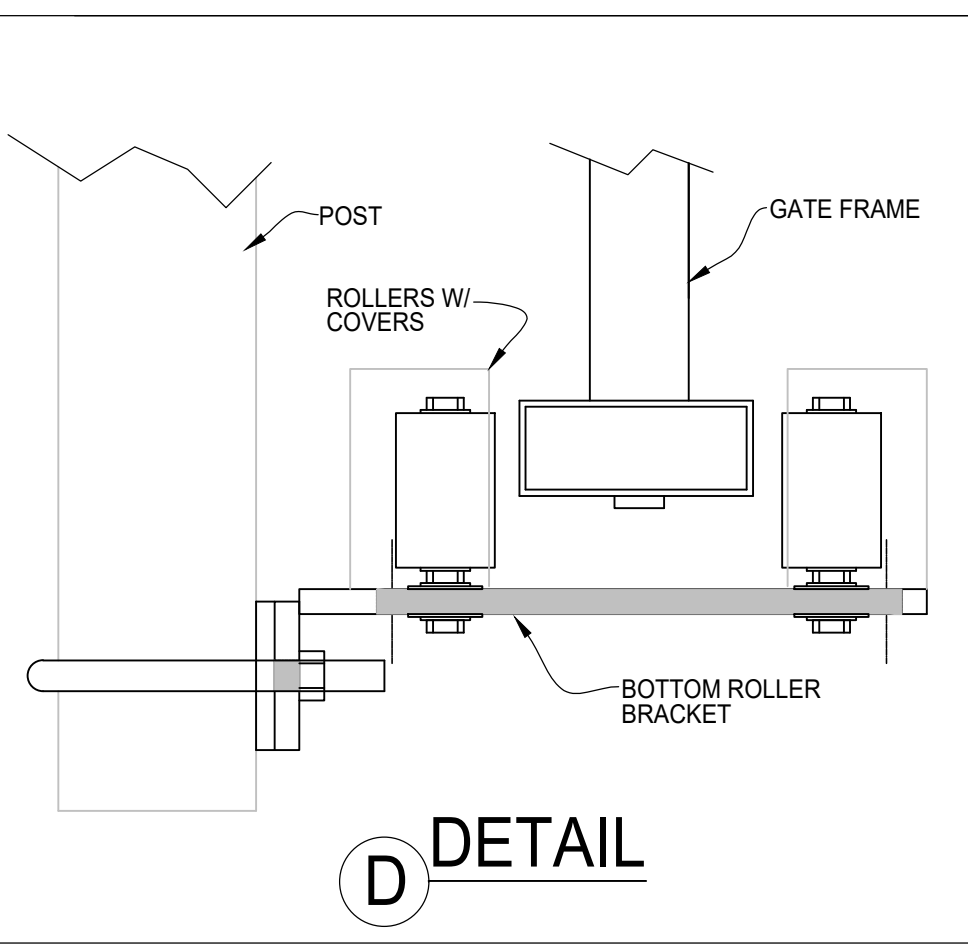
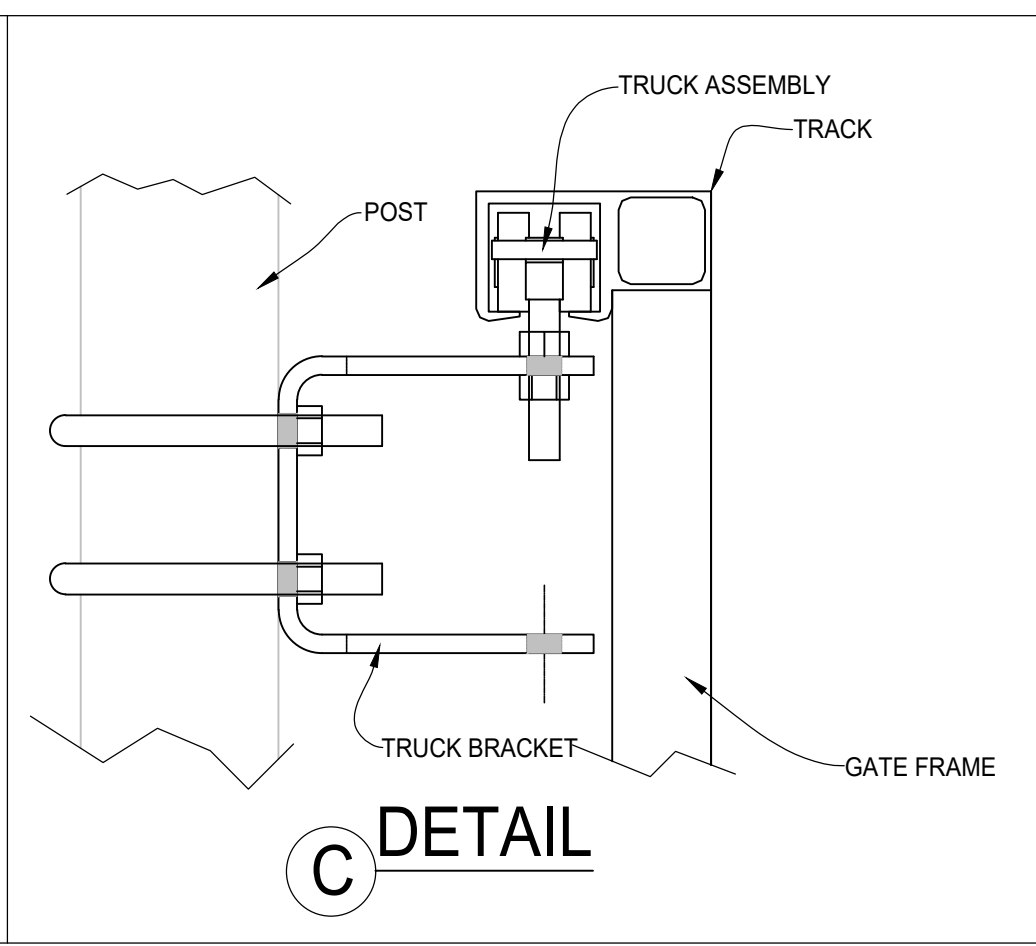
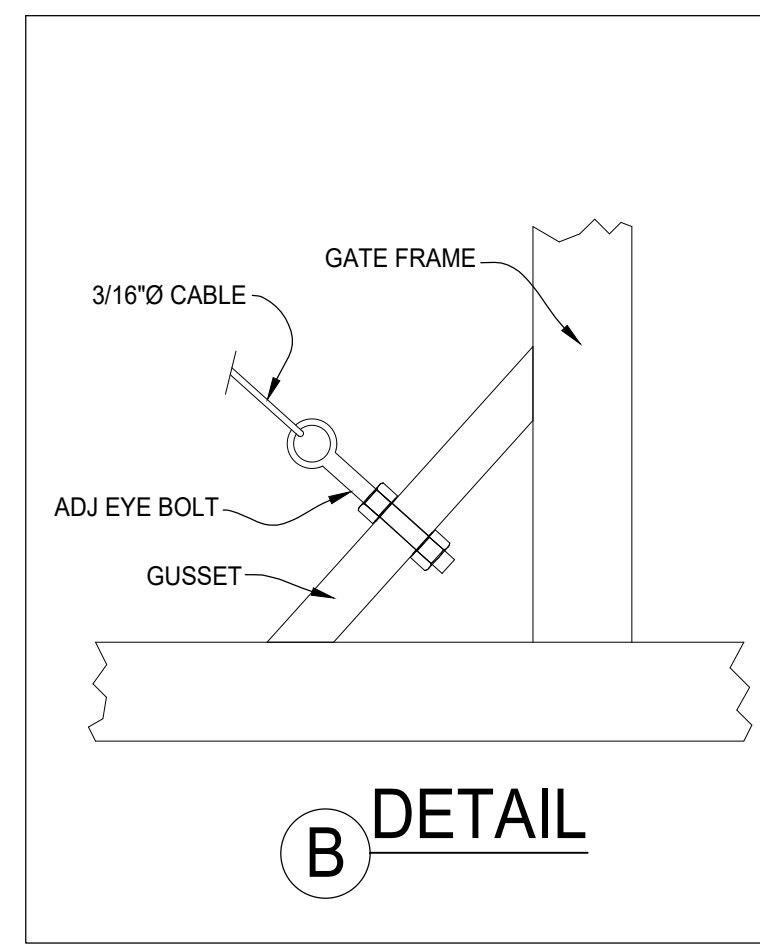


**ELEVATION VIEW ALUMINUM CANTILEVER GATE  
OUTSIDE LOOKING IN**

CRITICAL DIMENSIONS			
	DESCRIPTION	FORMULA	DIMENSION
"A"	CLEAR OPENING	A	
"B"	COUNTERBALANCE	A/2	
"C"	OVERALL GATE LENGTH	A + B + 12"	
"D"	TOP OF GATE HEIGHT	D	
"E"	POST HEIGHT	E	
ADJOINING FENCE HEIGHT			
BARB ARMS REQUIRED		YES	NO
GATE STORAGE IN OPEN POSITION (OUTSIDE LOOKING IN)		LEFT (SHOWN)	RIGHT



REV	DESCRIPTION	DATE

//  
//  
//  
**FINISH TO BE DETERMINED**

AMERICAN FENCE PROJECT #	SCALE: N.T.S.	DATE	REV	SHEET # 01
REFERENCE				
JOB #				
BY				