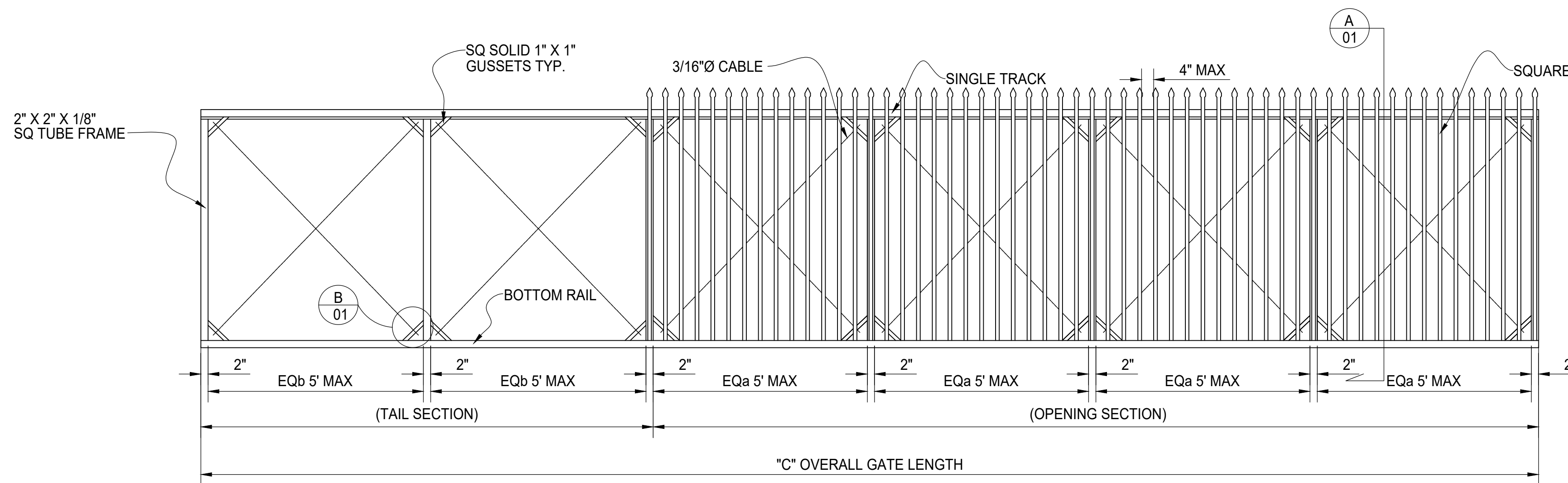


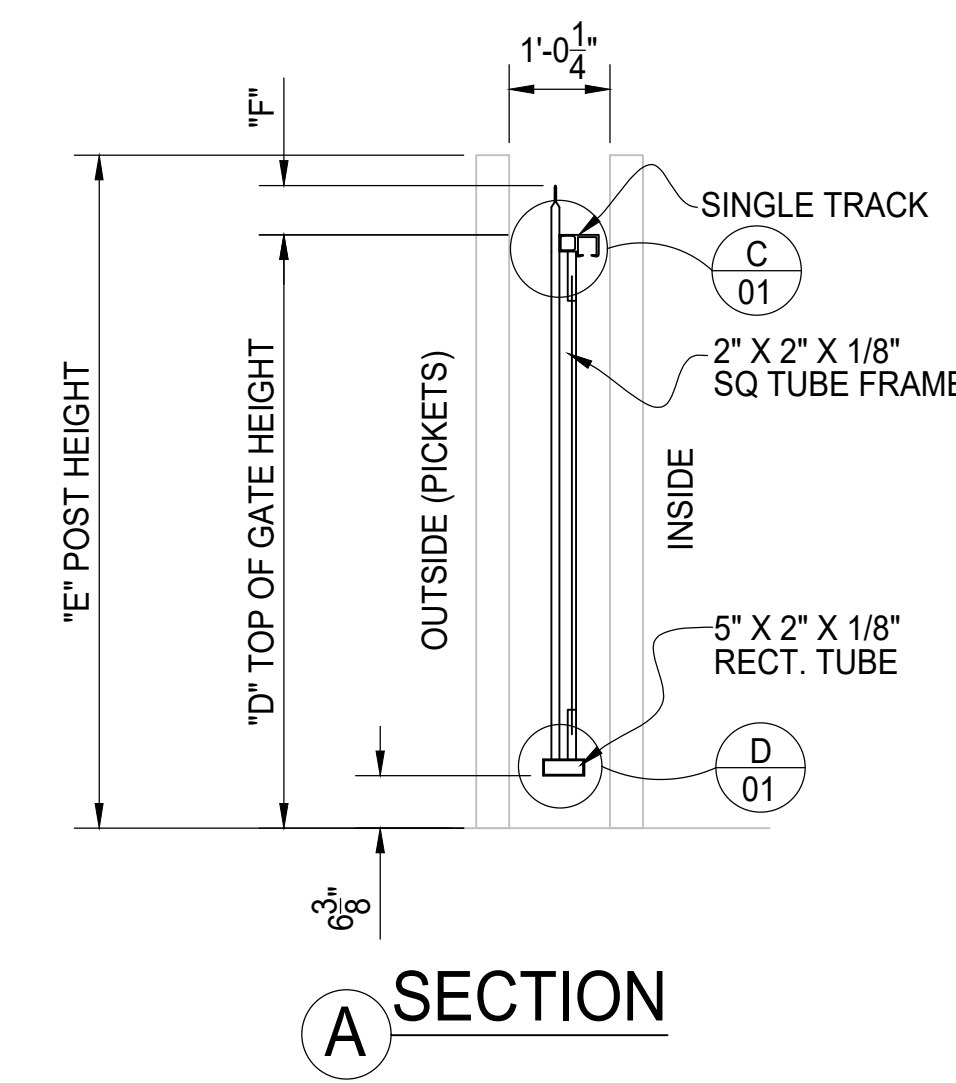
PLAN VIEW

CRITICAL DIMENSIONS			
	DESCRIPTION	FORMULA	DIMENSION
"A"	CLEAR OPENING	A	
"B"	COUNTERBALANCE	A/2	
"C"	OVERALL GATE LENGTH	A + B + 12"	
"D"	TOP OF GATE HEIGHT	D	
"E"	POST HEIGHT	E	
"F"	PICKET PROJECTION	F	

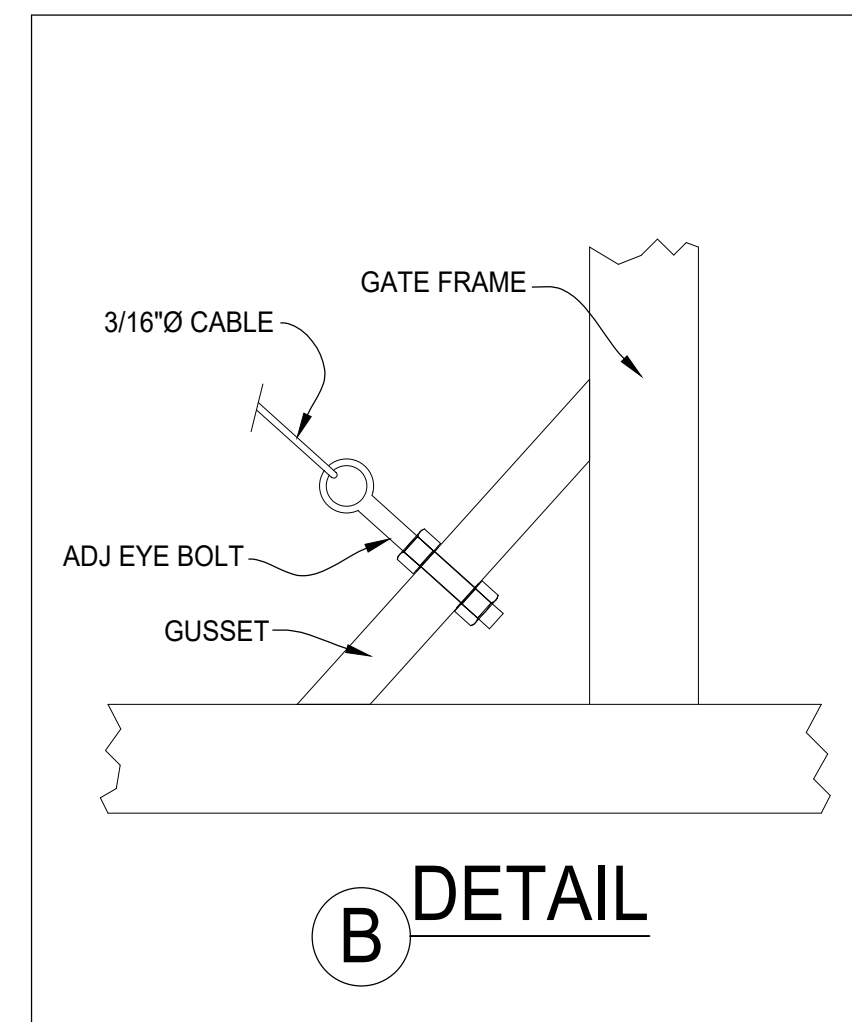
PICKET SIZE			
ADJOINING FENCE HEIGHT			
BARB ARMS REQUIRED	YES	NO	
GATE STORAGE IN OPEN POSITION (OUTSIDE LOOKING IN)	LEFT (SHOWN)	RIGHT	



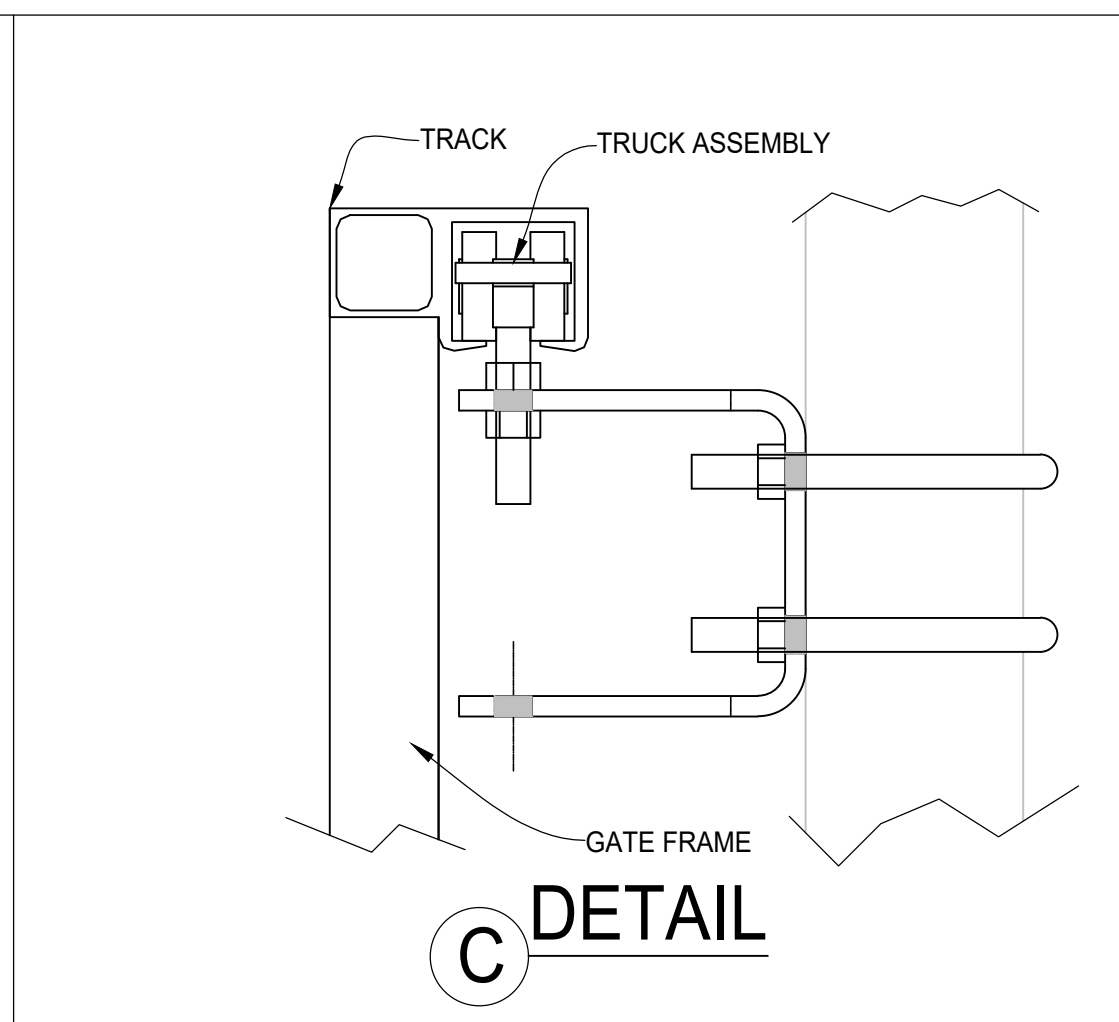
**ELEVATION VIEW ALUMINUM CANTILEVER GATE
OUTSIDE LOOKING IN**



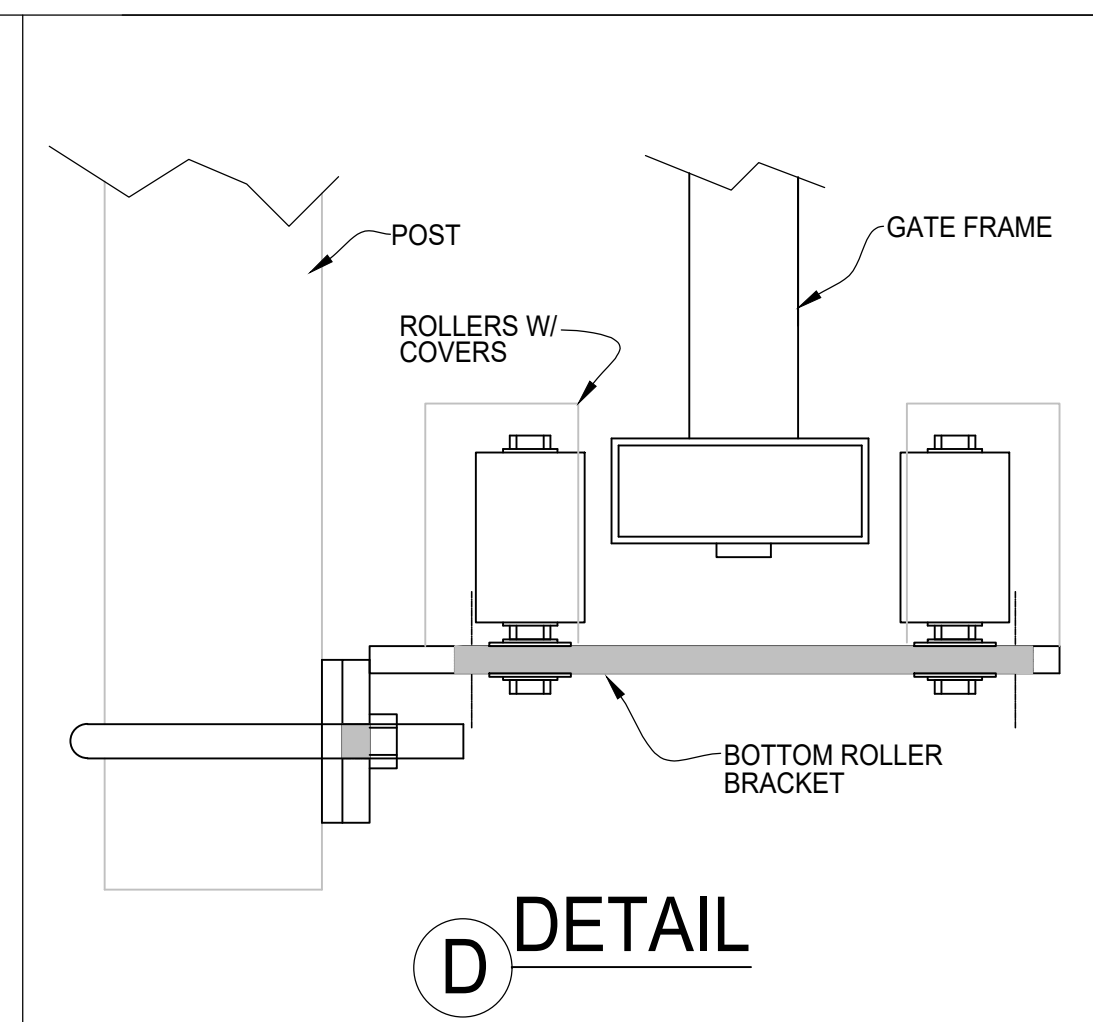
SECTION A



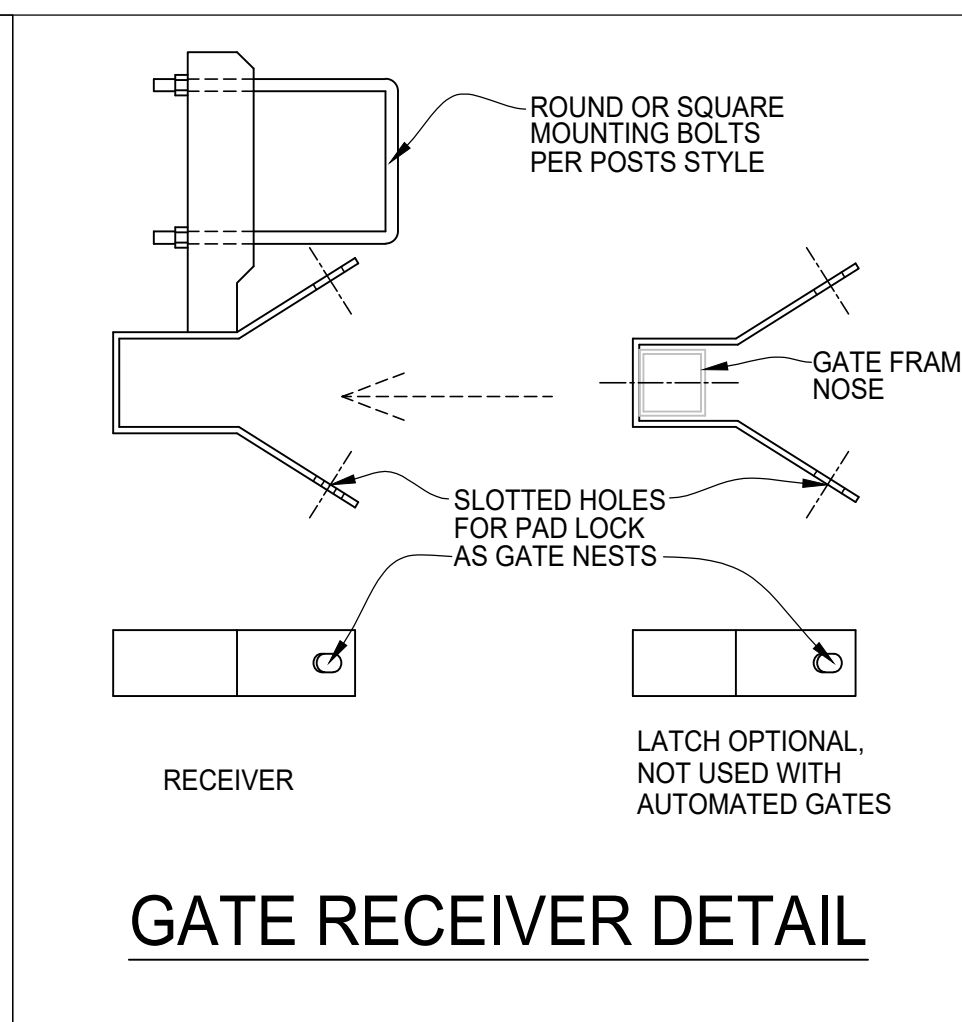
DETAIL B



DETAIL C



DETAIL D



GATE RECEIVER DETAIL

REV	DESCRIPTION	DATE

PalmsHIELD
DECORATIVE SPEAR TOP - SINGLE TRACK
/ /
FINISH TO BE DETERMINED

PALMSHIELD PROJECT #	CLIENT PROJECT #
REFERENCE JOB #	REVISION BY DATE
CHKD BY	DRAWN BY DATE
SCALE: N.T.S.	REV SHEET # 01