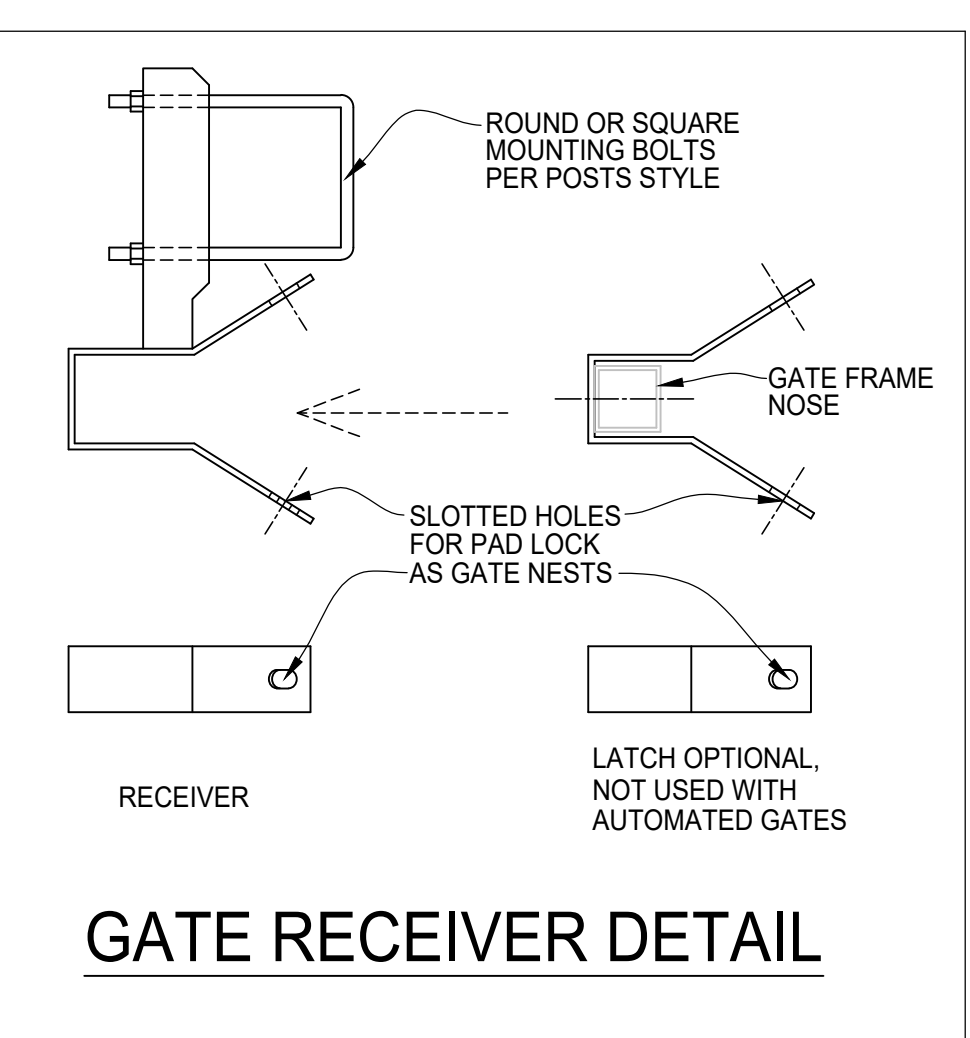
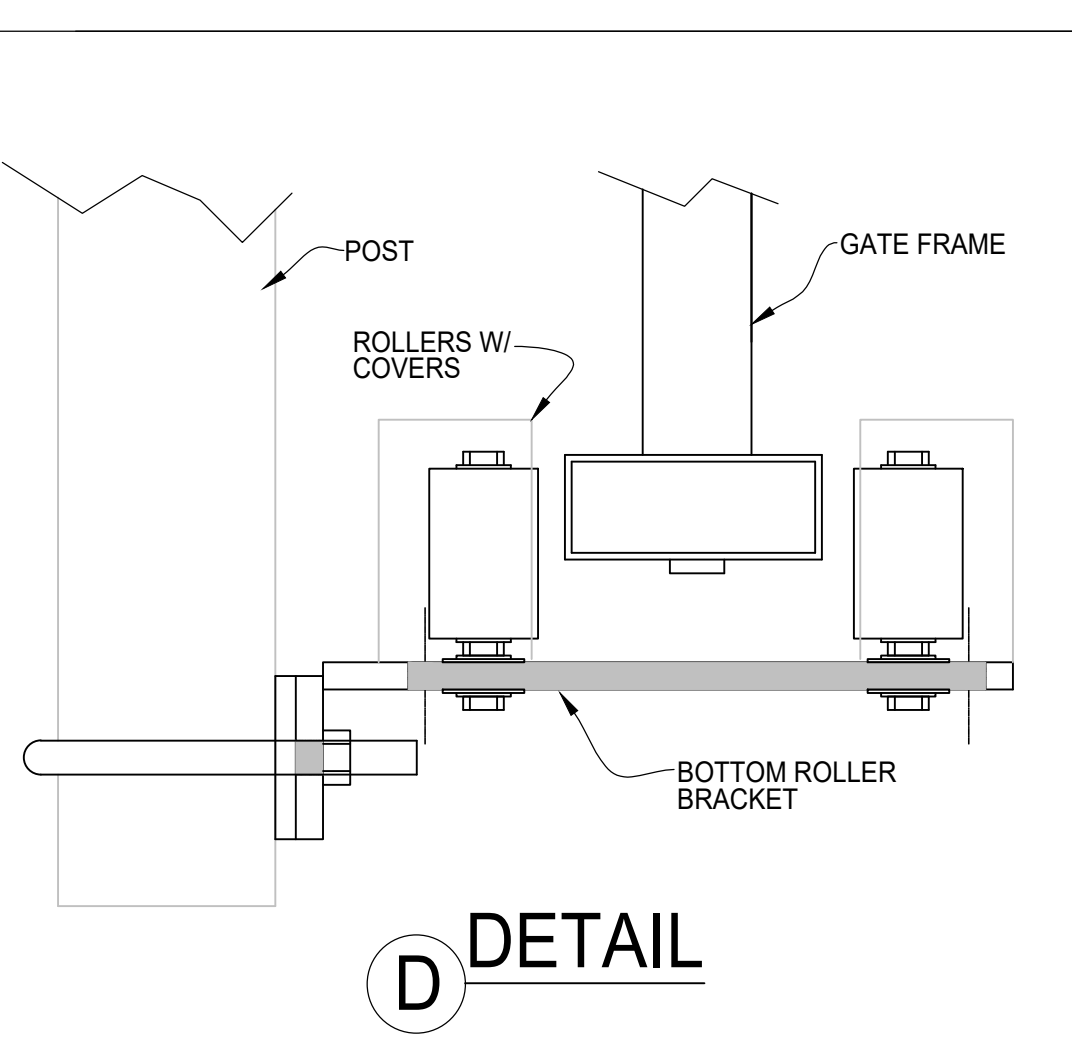
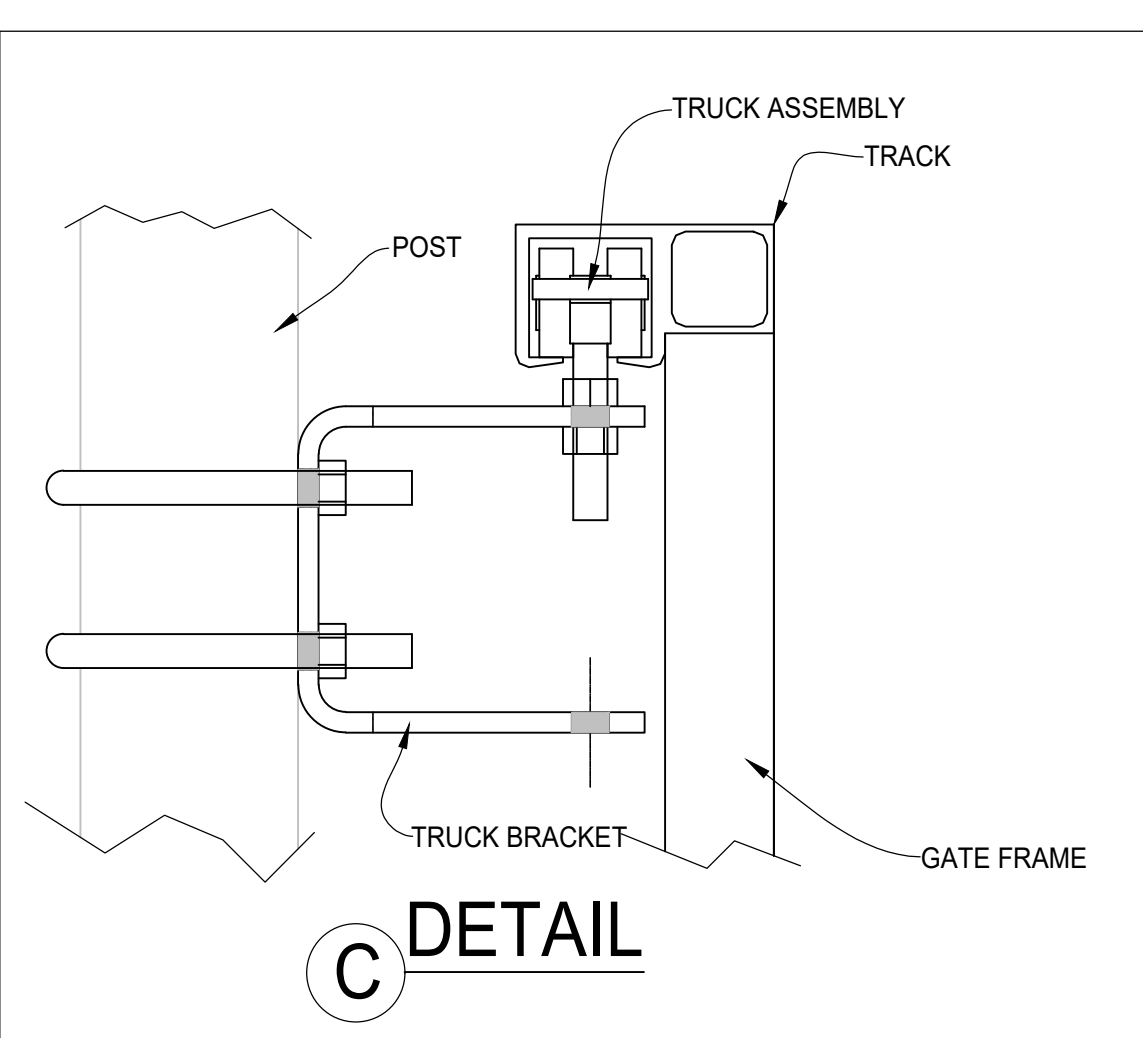
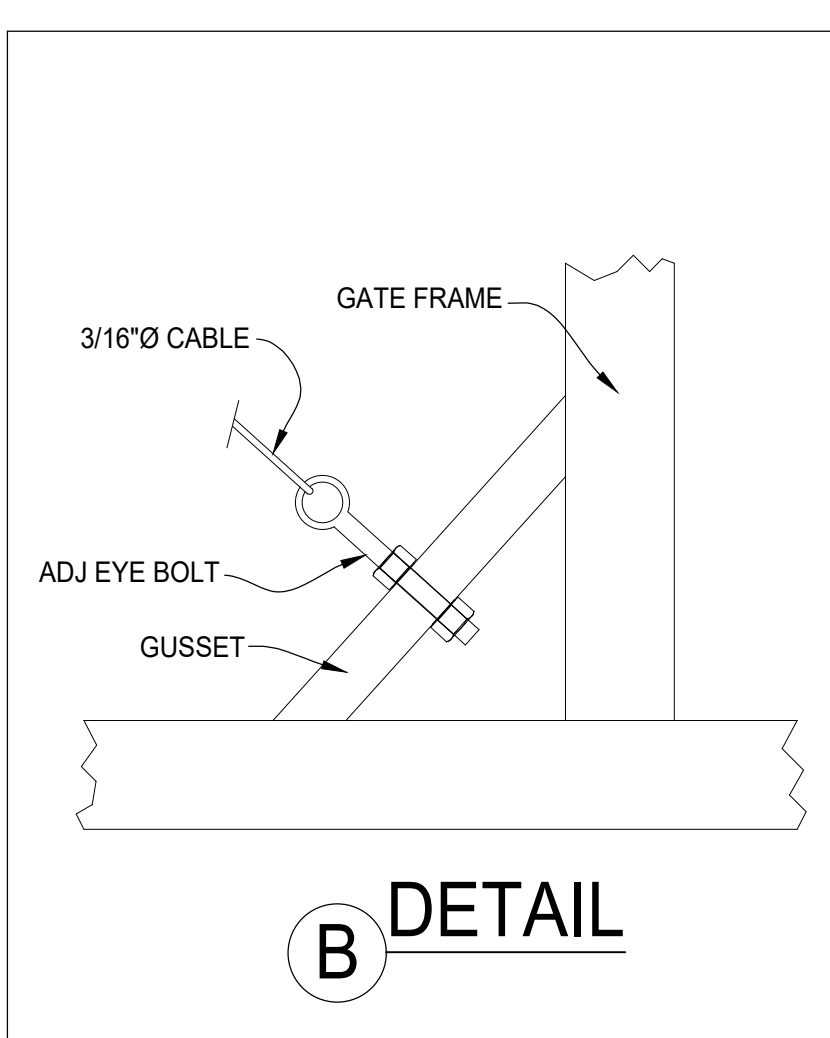
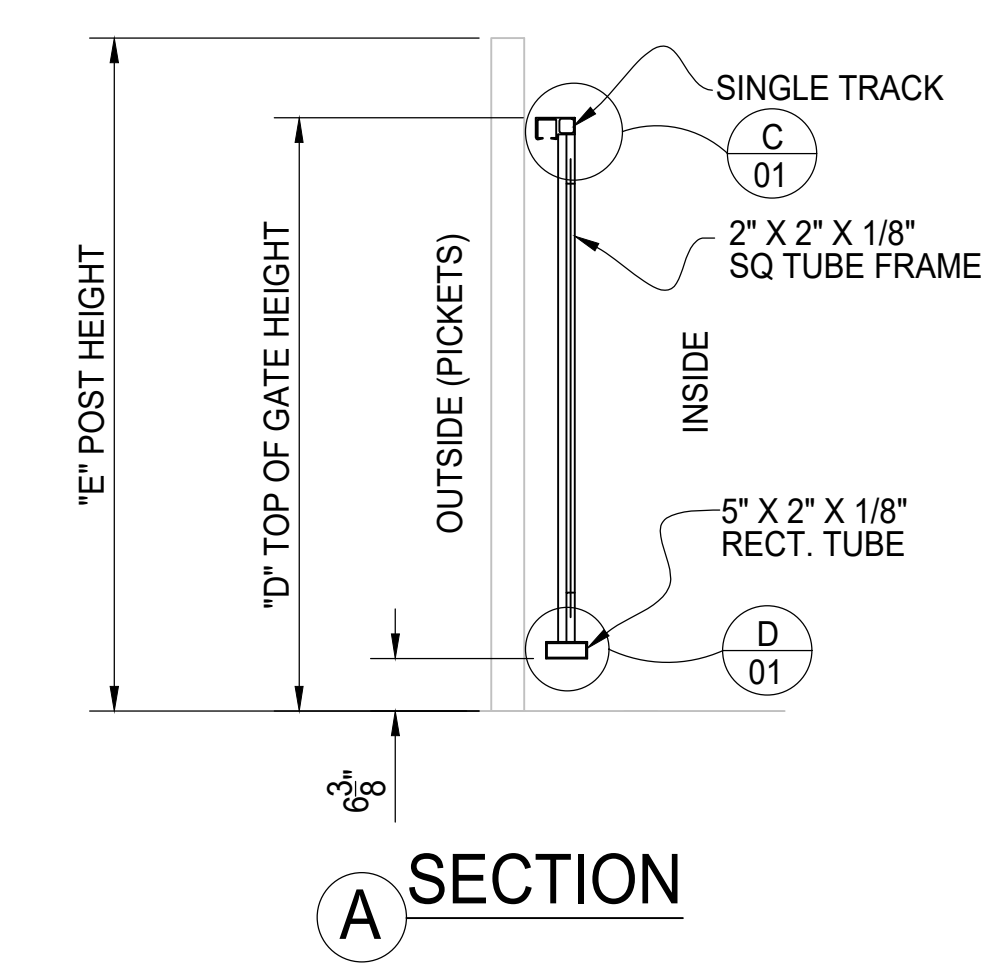
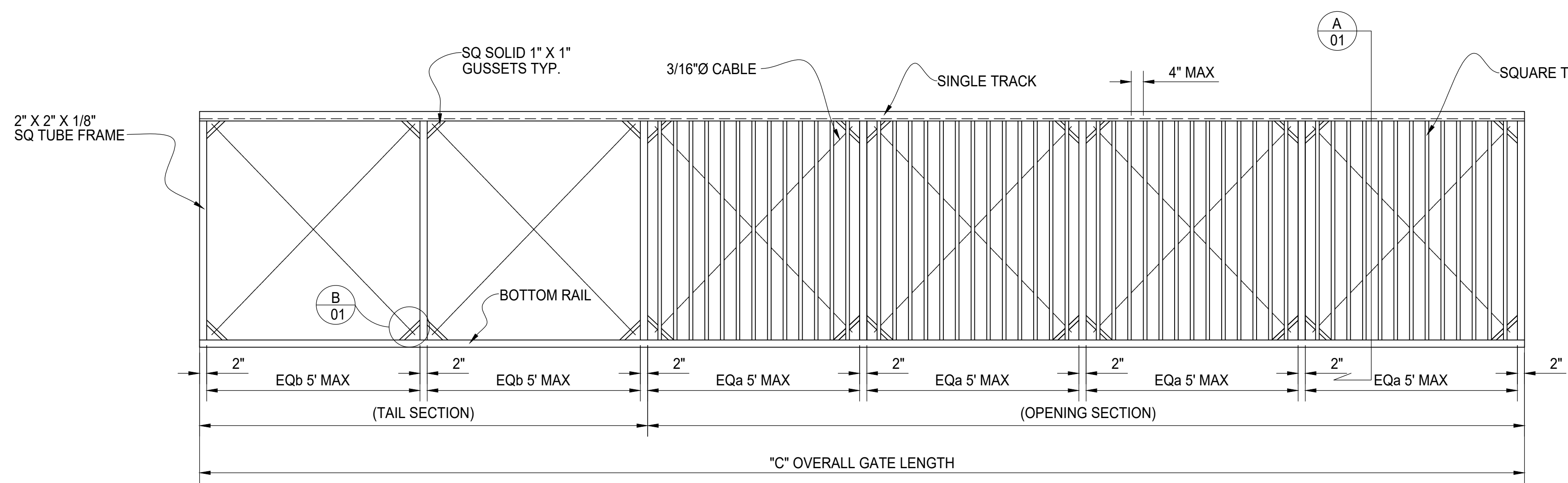
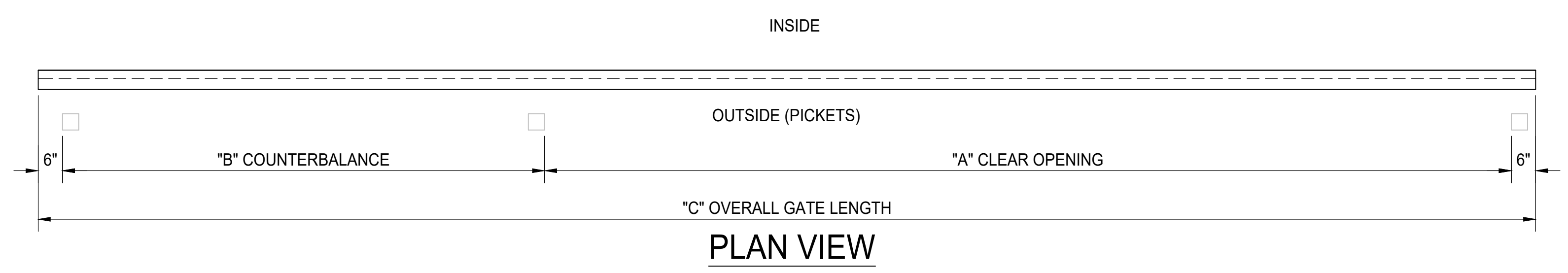


CRITICAL DIMENSIONS			
	DESCRIPTION	FORMULA	DIMENSION
"A"	CLEAR OPENING	A	
"B"	COUNTERBALANCE	A/2	
"C"	OVERALL GATE LENGTH	A + B + 12"	
"D"	TOP OF GATE HEIGHT	D	
"E"	POST HEIGHT	E	

PICKET SIZE			
ADJOINING FENCE HEIGHT			
BARB ARMS REQUIRED	YES	NO	
GATE STORAGE IN OPEN POSITION (OUTSIDE LOOKING IN)	LEFT (SHOWN)	RIGHT	



REV	DESCRIPTION	DATE

PalmSHIELD

DECORATIVE FLAT TOP SINGLE TRACK

FINISH TO BE DETERMINED

PALM SHIELD PROJECT #	CLIENT PROJECT #
REFERENCE DATE	RETURN BY DATE
CHKD BY	DRAWN BY
SCALE: N.T.S.	DATE
REV	SHEET # 01