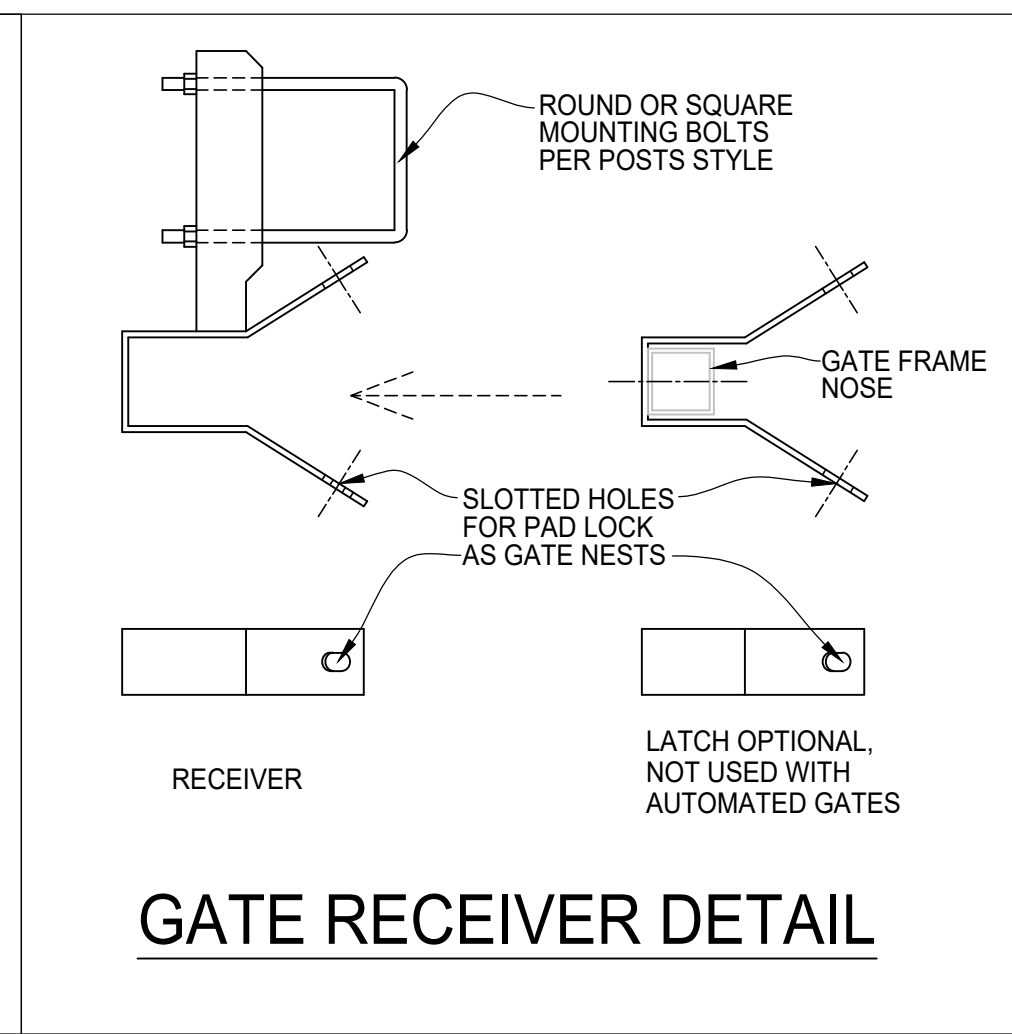
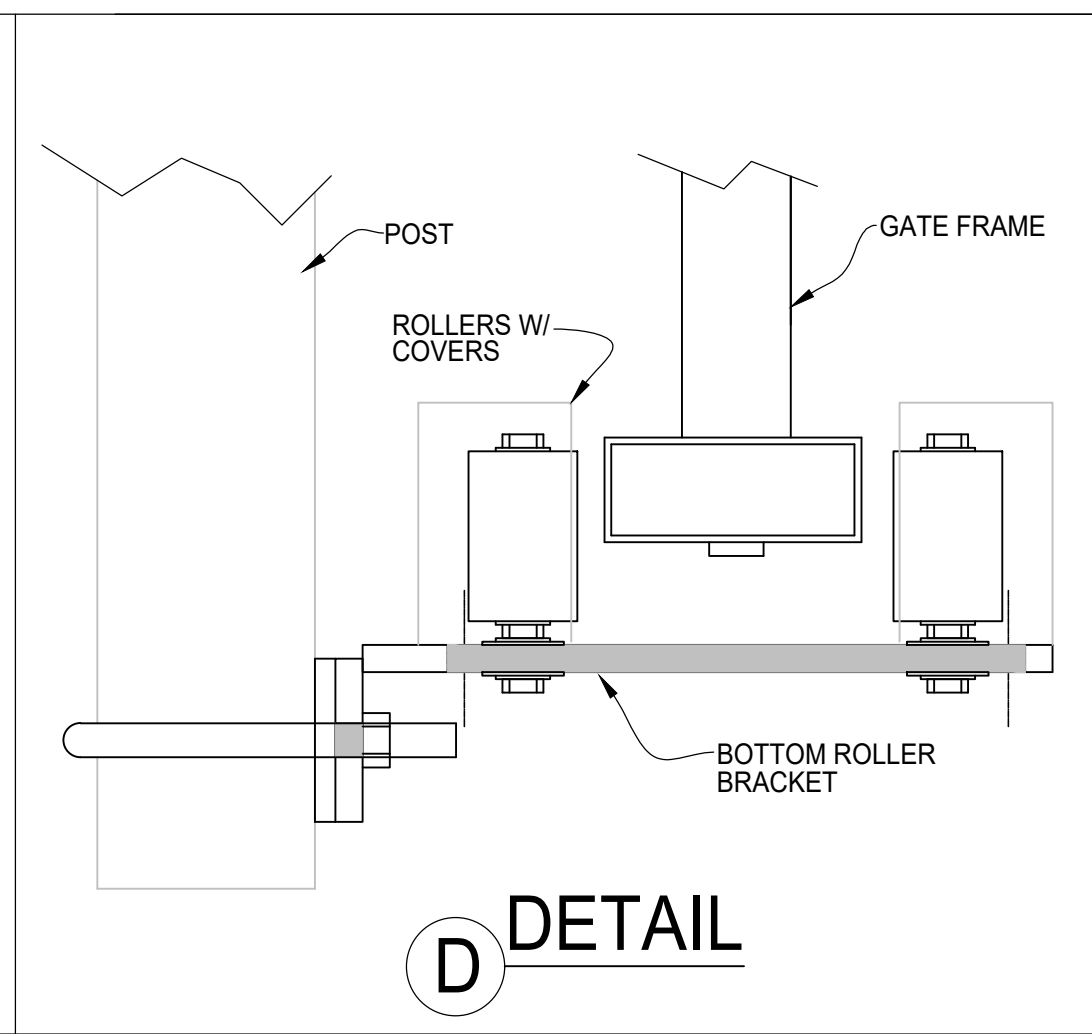
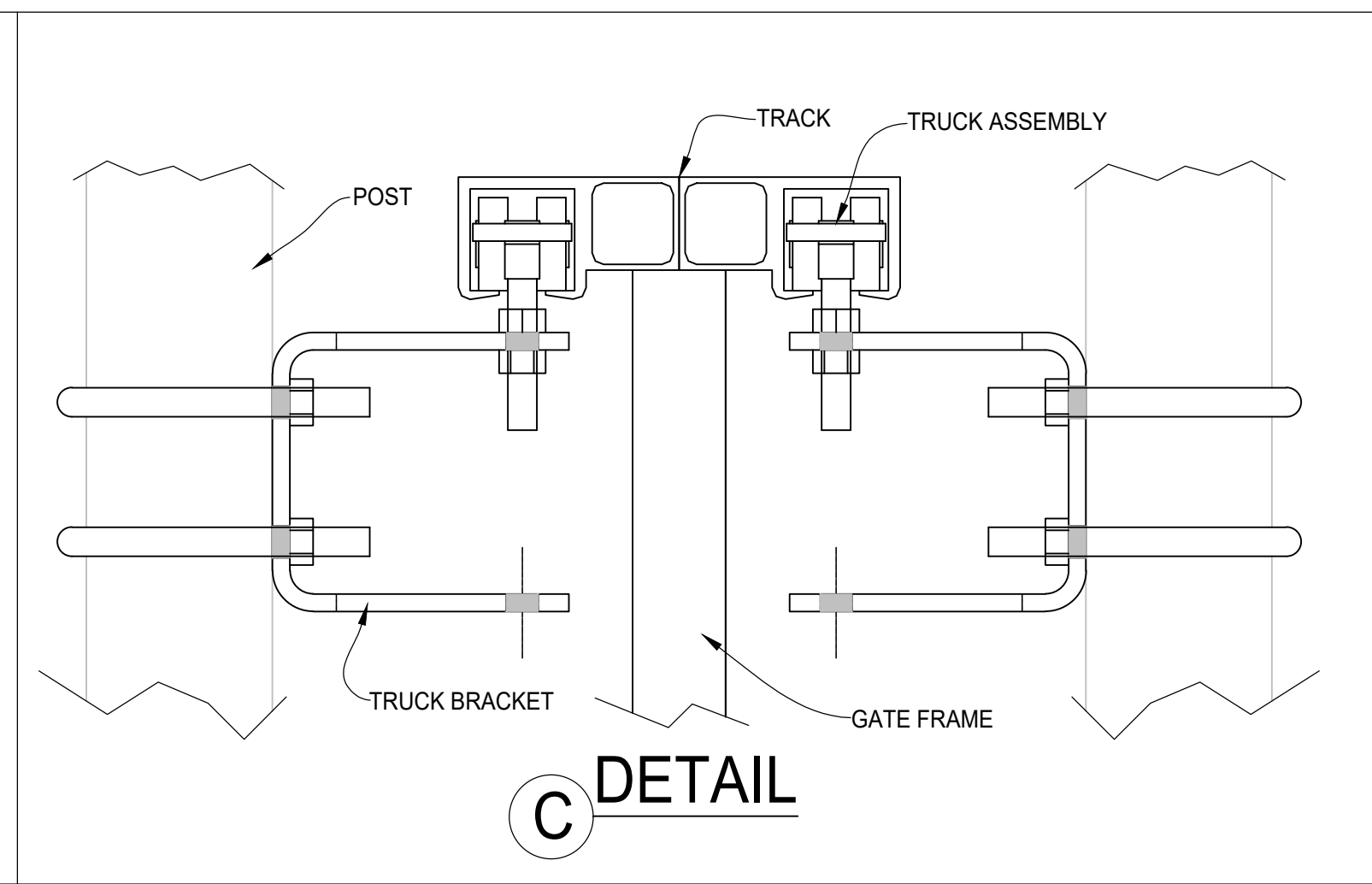
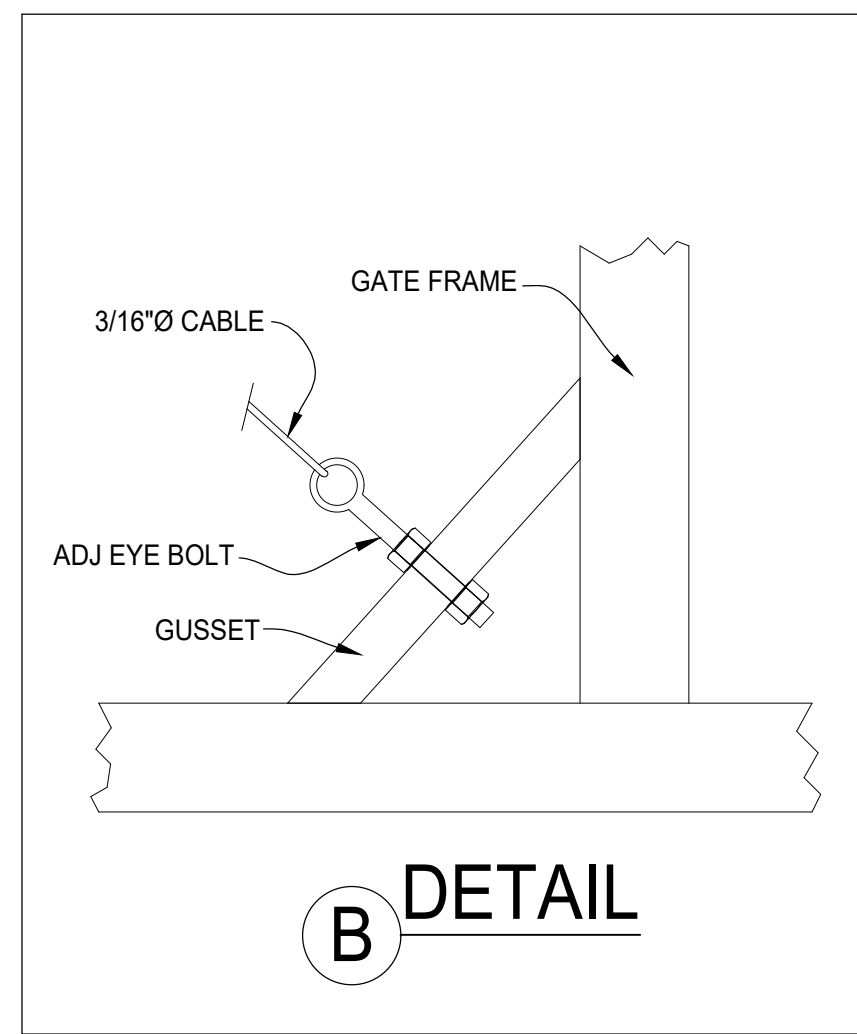


CRITICAL DIMENSIONS			
	DESCRIPTION	FORMULA	DIMENSION
"A"	CLEAR OPENING	A	
"B"	COUNTERBALANCE	A/2	
"C"	OVERALL GATE LENGTH	A + B + 12"	
"D"	TOP OF GATE HEIGHT	D	
"E"	POST HEIGHT	E	
ADJOINING FENCE HEIGHT			
BARB ARMS REQUIRED		YES	NO
GATE STORAGE IN OPEN POSITION (OUTSIDE LOOKING IN)		LEFT (SHOWN)	RIGHT



REV	DESCRIPTION	DATE

CHAIN LINK ALUMINUM DBL TRACK

FINISH TO BE DETERMINED

PALMSHIELD PROJECT #	CLIENT
REFERENCE DATE	RETURN BY DATE
CHKD BY	DRAWN BY
SCALE: N.T.S.	DATE
REV	SHEET # 01