

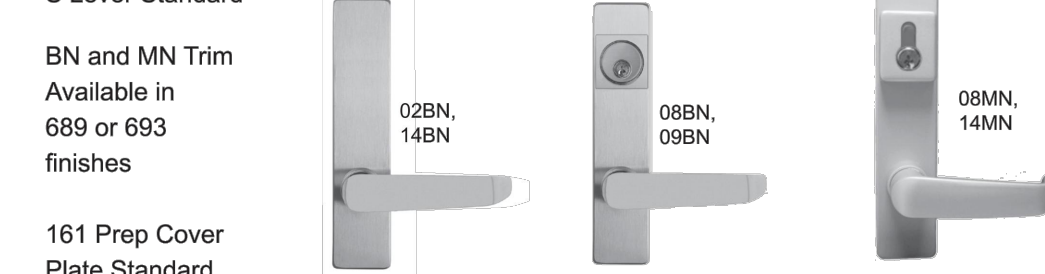
**VALUE SERIES**

**LEVER TRIM DESIGNS**

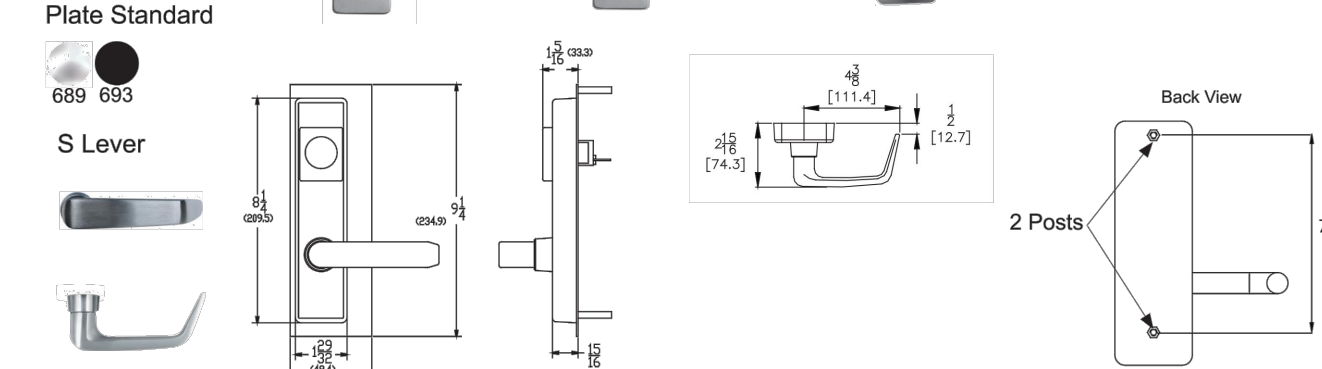
Assorted outside trims provide security for all types of installations. Built to be as durable as the panic devices, these heavy-duty trims will stand up to heavy use and abuse. The versatile design of the trims, combined with the device mounting plate, makes changing functions as simple as replacing the outside trim. This can easily be done without removing the exit device from the door. These trims can be used on V40 Series Rim and V50 Series Surface Vertical Rods. Detex uses the BHMA functions/descriptions for all trims.

**BN and MN Trim**

S Lever Standard



161 Prep Cover Plate Standard

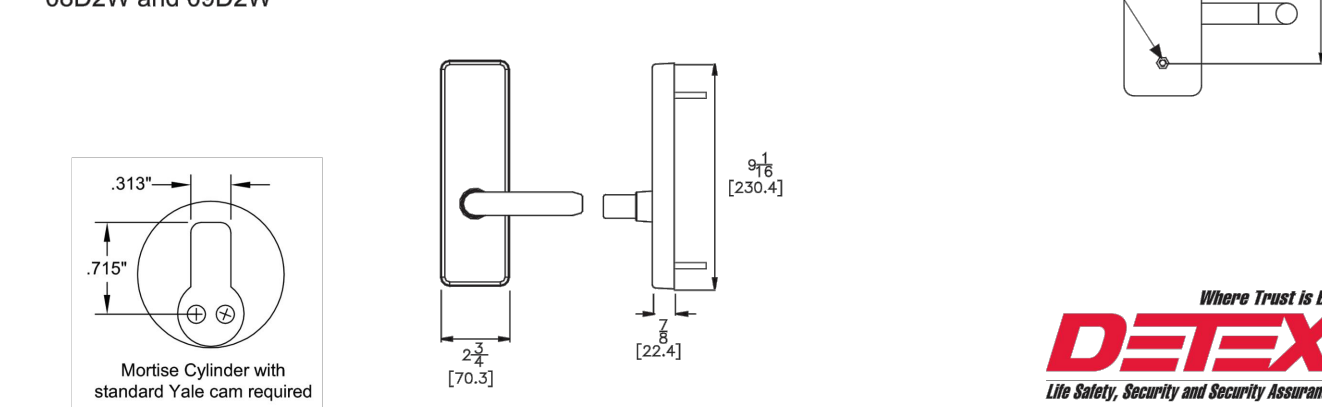


**EU2W and D2W Trim**

S Lever Standard



Mortise cylinder required for EU2W, 08D2W and 09D2W



**BHMA Function/Description**

- 02 - Entrance by trim when actuating bar is locked down (dummy trim)
- 08 - Entrance by knob or lever. Key locks or unlocks knob or lever.
- 09 - Entrance by knob or lever only when released by key. Key removable only when locked.
- 14 - Entrance by trim when latch bolt is released by knob or lever. Always active, no cylinder.

**Finishes**

605 / US3	Polished Brass	629 / US32	Polished Stainless Steel	689 / SP28	Aluminum Painted
606 / US4	Brushed Brass			693 / SPBLK	Black Painted
611 / US9	Polished Bronze	630 / US32D	Brushed Stainless Steel	695 / SP313	Dark Bronze Painted
612 / US10	Brushed Bronze			711 / DC35	Black Anodized
613 / US10B	Oil Rubbed Bronze				

**Technical Information**

- BN Trims are Zinc Castings
- EU2W and D2W are forged Brass
- When ordered with device, trims will match mounting plate specified
- Value Series trims configured for use with BP2 and BP6 (standard)



Detex Corporation  
302 Detex Drive  
New Braunfels, Texas 78130-3045 USA  
PH. (830) 629-2900  
(800) 729-3839  
FAX (800) 653-3839  
http://www.detex.com  
USA Sales:  
marketing@detex.com  
International Sales:  
export@detex.com

September 11, 2016  
Cancer & Reproductive Harm - www.detex.com/prop65

8/8/23, 1:35 PM

Ultra heavy duty 180° hydraulic gate closer and hinge for gates up to 440 lbs | Locinox USA



**ULTRA HEAVY DUTY 180° HYDRAULIC GATE CLOSER AND HINGE FOR GATES UP TO 440 LBS**

Item No. MAMMOTH-HD-

This heavy-duty gate closer and hinge-in-one is the heaviest gates. The combination of the hydraulically damped Mammoth with the powerful self-closing Raptor hinge is the perfect solution for closing gates weighing up to 440 lbs and 6-1 /2 ft. wide. Both hinges are equipped with double bearings for extremely smooth functioning. The Active Thermal System guarantees a constant closing speed, una hinge is included.



**SPECIFICATIONS**

Speci

- 180° self-closing double bearing hinge with adjustable closing speed and
- Robust yet stylish design with high quality components
- Weatherproof aluminum housing designed for exterior use
- Consistent closing speed thanks to patented hydraulic damping
- ADA compliant (< 5 lbs; max 32 Nm) from gate widths of 4.4ft. or more
- Vandal and tamper proof
- For left and right handed gates
- Fast and easy installation with Quick-Fix

Available in following RAL-colors

https://www.locinoxusa.com/gate-closers/new-fil/ultra-heavy-duty-gate-closer-and-mammoth-hd-?returnurl=%2fgate-closers%2fnew-ft... 1/2

**VALUE SERIES**

**V40 Rim Exit Device**

The V40 Series rim exit device is secure and durable panic fire exit hardware at an economical price. It is designed for use on all types of single and double doors with mullions. The patented mounting plate and strike locator system ensures the easiest and most accurate installation of panic hardware available.



ANSI 156.3 - 2008 Grade 1 Type 1 Standard V40 Rim Device accommodates wide stile doors, 3" or greater stile, and flush doors. For narrow stile doors, 2" to 2 1/2" stile, specify V40 NS model which provides a 2" longer device and a lower profile strike.

- Benefits**
- Priced to be the best value for durable and attractive loss prevention panic hardware
  - Fast and easy installation
  - Minimal door prep saves time and money
  - Fits almost any door in any décor
  - Outside trims are easily changed or rekeyed without removing device from door

- Features**
- Patented mounting plate and strike locator
  - Covers a 161 door prep
  - Stainless steel, 3/4" deadlocking Pullman-type latch bolt
  - Non-handed
  - Field sizeable
  - 1/8 turn hex key dogging
  - Heavy-duty angled end cap
  - Heavy-duty ribbed aluminum rail extrusion
  - High impact ABS and anodized surfaces
  - Withstands over 1400 pounds of static pull force for greater security
  - Modular design accepts a variety of outside trims and functions
  - Standard and narrow stile pull trims available

- Mechanical Options**
- CD - Cylinder Dogging
  - HD - Hex Dogging (Std.)
  - LD - Less Dogging
  - 36 - Fits 36" Door Width (Std.)
  - 48 - Fits 48" Door Width
  - F - 3-Hour Fire Rated
  - H - Hurricane Rated
  - For Narrow Stile that fits 2" narrow stile glass door see V40NS
  - 99 - Surface Strike (Std.)
  - 98 - Semi Mortise Strike
  - Available with 628 Base Rail Extrusion (Std.)
  - Available with 711 Base Rail Extrusion

- Electrical Options**
- Exit Alarm with 9 volt Battery (EB)
  - Weatherized Exit Alarm (EBxW)
  - Electric Dogging (ED)
  - Delayed Egress (EE)
  - Exit Alarm Hardwired 24VDC (EH)
  - Hardwired 24VAC/DC Exit Alarm with Remote Signal (EHxR)
  - Electric Integration (EI)
  - Delayed Egress with Magnetic Lock (EM)
  - Electric Latch Retraction (ER)
  - Electric Switching (ES)
  - Request to Exit (EX)
  - Weatherized Request to Exit (EXxW)



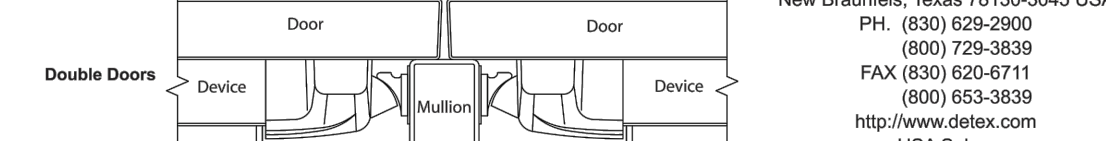
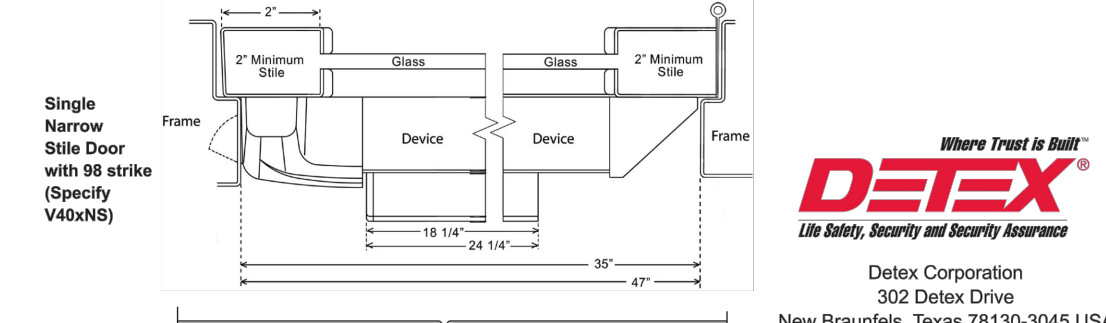
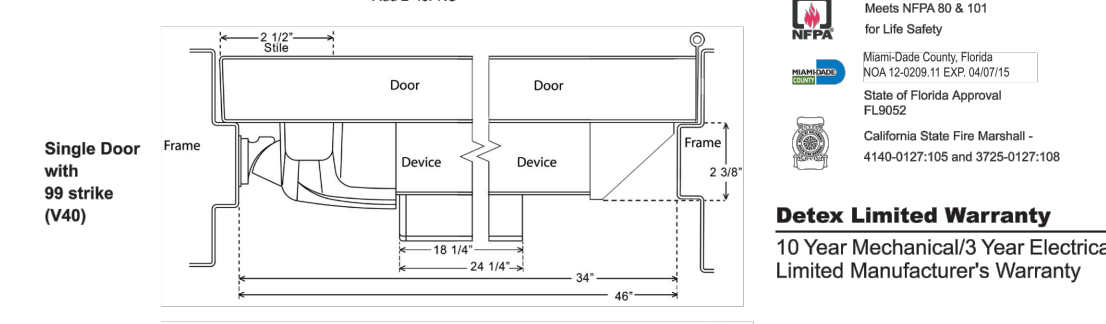
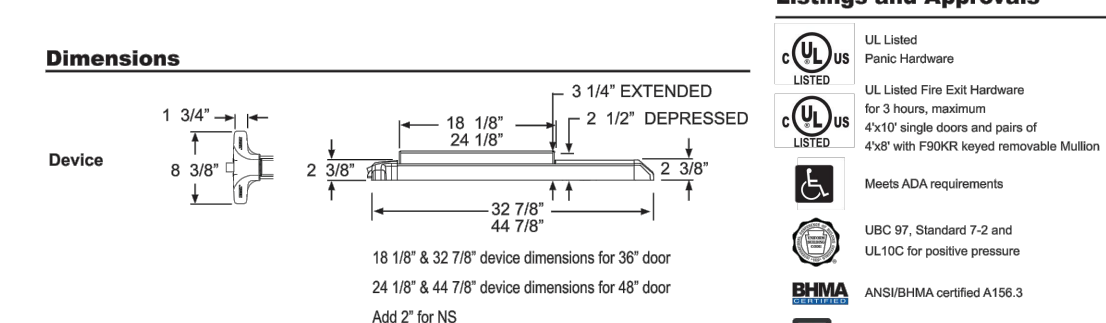
**Accessories**

- SN1 - Sex Nut Fasteners
- GB2 - Glass Bead Kit
- NSK - Narrow Kit - for 2" narrow stile glass door applications that must be added in the field
- Outside Trim (see Value Series Trim Options)
- Optional Sex Nuts or Security Torx Screws available

**Technical Information**

- Door Types - Wood, Hollow Metal, Fiberglass or Aluminum
- Door Thickness - Fits standard 1-3/4" - 2-1/4"
- Door Stile - Fits 2-1/2" stile doors with 99 surface strike (Std.)
- Door Stile - Fits 2" narrow stile doors - specify NS
- Machine and Self-Drilling Screws (Std.)

**Dimensions**



June 17, 2014



Detex Corporation  
302 Detex Drive  
New Braunfels, Texas 78130-3045 USA  
PH. (830) 629-2900  
(800) 729-3839  
FAX (830) 620-6711  
(800) 653-3839  
http://www.detex.com  
USA Sales:  
marketing@detex.com  
International Sales:  
export@detex.com

REV	DESCRIPTION	DATE



**GATE HARDWARE DETAILS  
ORNAMENTAL PICKET INFILL  
GATE HARDWARE DETAILS  
FINISH TO BE DETERMINED**

PALMSHIELD PROJECT #	CLIENT PROJECT #
REFERENCE LOG #	
CHKD BY:	SCALE: N.T.S.
DRAWN BY: PB	DATE: 07/25/2023
REV	SHEET # 06