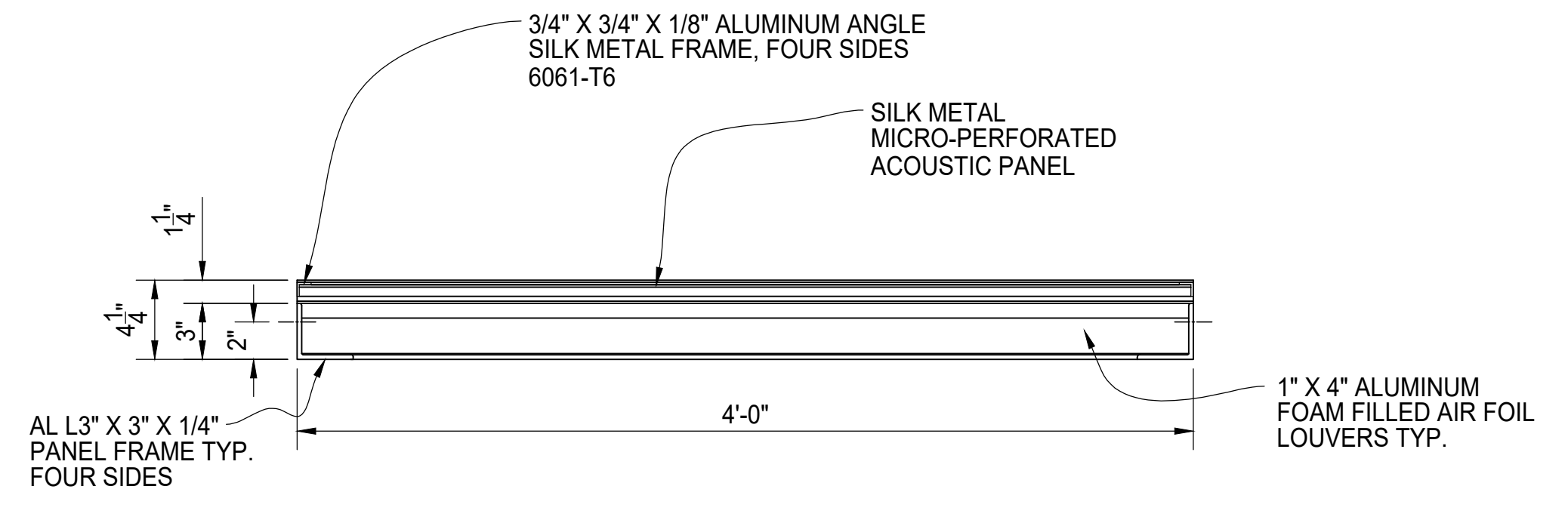
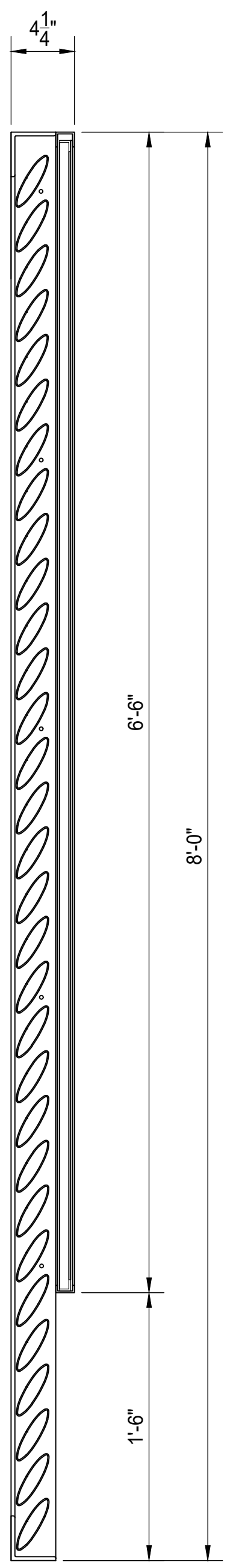
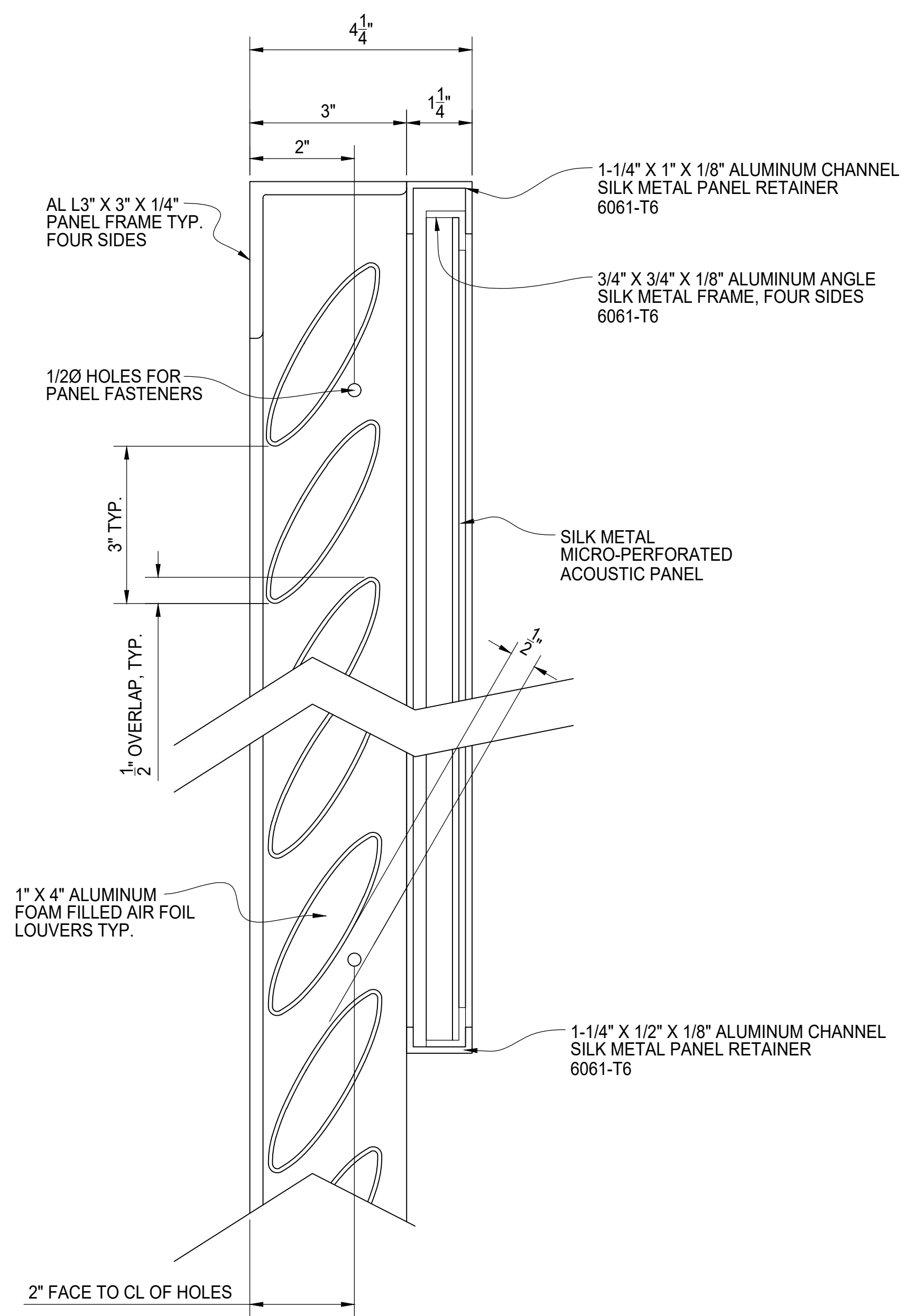


ELEVATION VIEW



TOP VIEW SECTION



SIDE VIEW SECTION

BILL OF MATERIALS

QTY	MK	DESCRIPTION	LENGTH	NOTES	FINISH

	START	STOP	ESTIMATED	ACTUAL	INITIALS
CUT					
ROLL					
WELD					
GRIND					
OTHER					
OTHER					
TOTAL					
REV/DESCRIPTION					DATE



HORIZONTAL LOUVER  
ACOUSTIC PANEL WITH 1'-6" OPEN  
FOR AIR FLOW ON BOTTOM OF PANEL  
FINISH TO BE DETERMINED