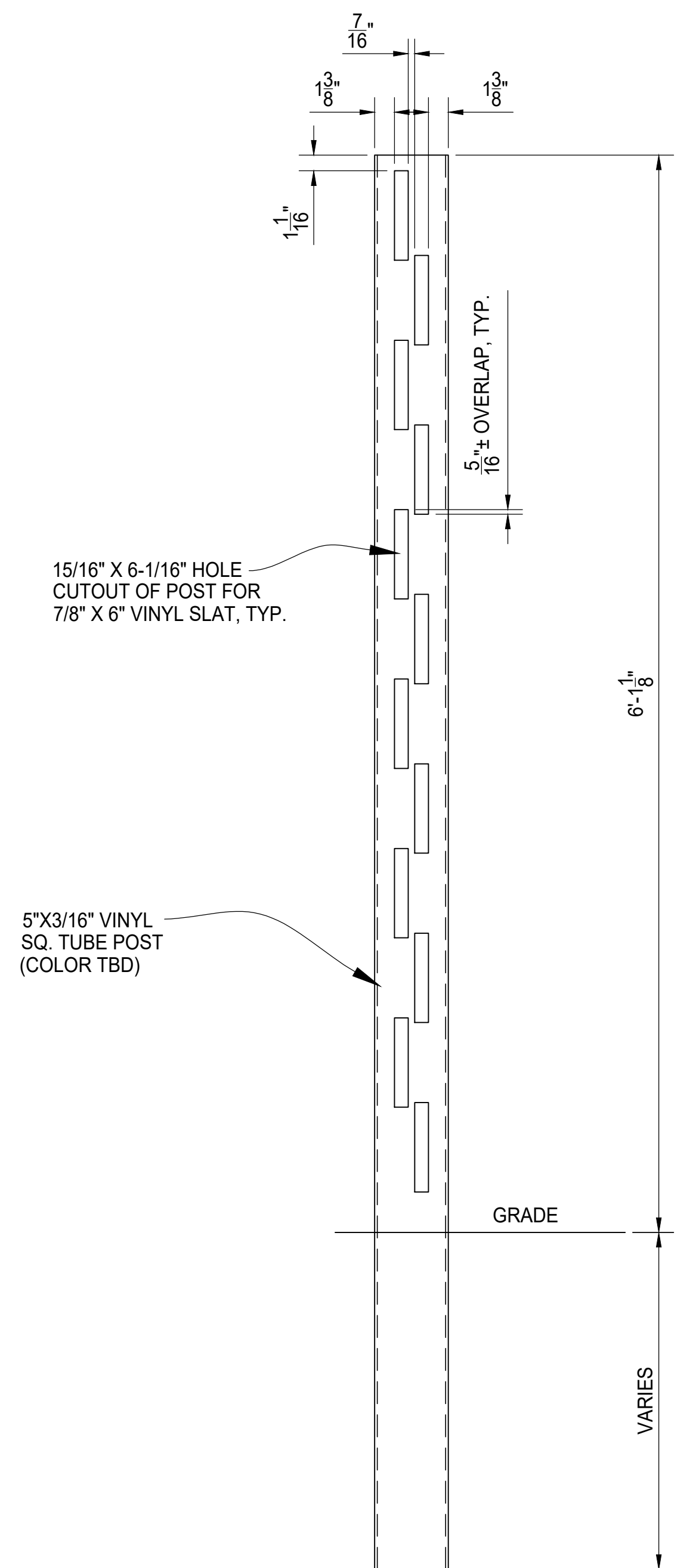


TYPICAL POST ELEVATION ~ A-A



TYPICAL POST ELEVATION ~ B-B

BILL OF MATERIALS

QTY	MK	DESCRIPTION	LENGTH	NOTES	FINISH

	START	STOP	ESTIMATED	ACTUAL	INITIALS
CUT					
ROLL					
WELD					
GRIND					
OTHER					
OTHER					
TOTAL					
REV/DESCRIPTION					DATE



MERCURY STAGGERED
VINYL INFILL - VINYL POST
TYPICAL POST DETAILS
COLOR TO BE DETERMINED