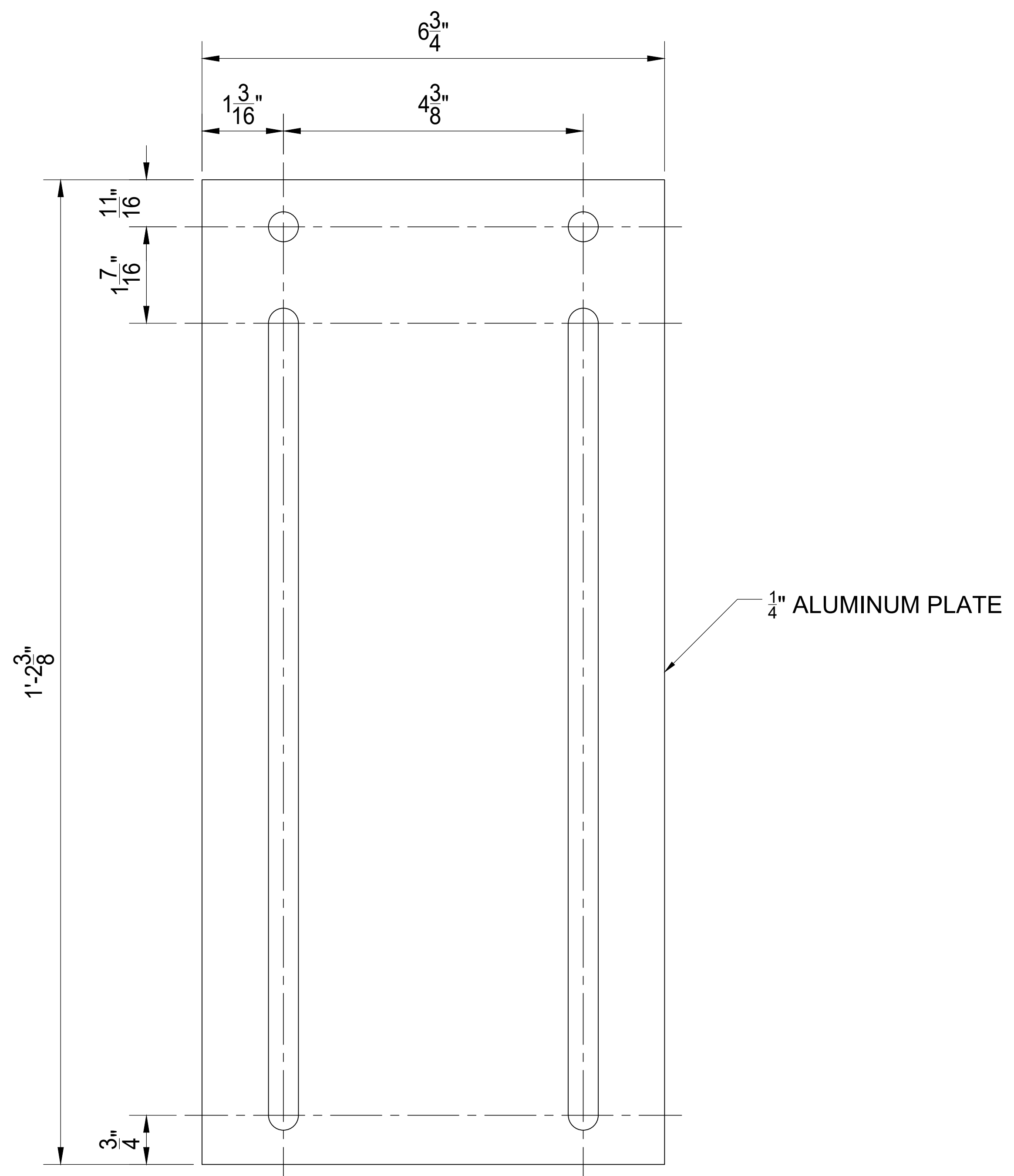


CORNER BRACKET EXTENDER



LINE PANEL BRACKET EXTENDER



FREEDOM BRACKET EXTENDERS
FOR POSTS ON DOWNWARD SLOPE

AMERICAN FENCE	CLIENT
PROJECT #	PROJECT #
REFERENCE	
JOB #	
CHRD BY	SCALE: N.T.S. DRAWN: PB DATE: 06/22/2020 REV: SHEET # 01