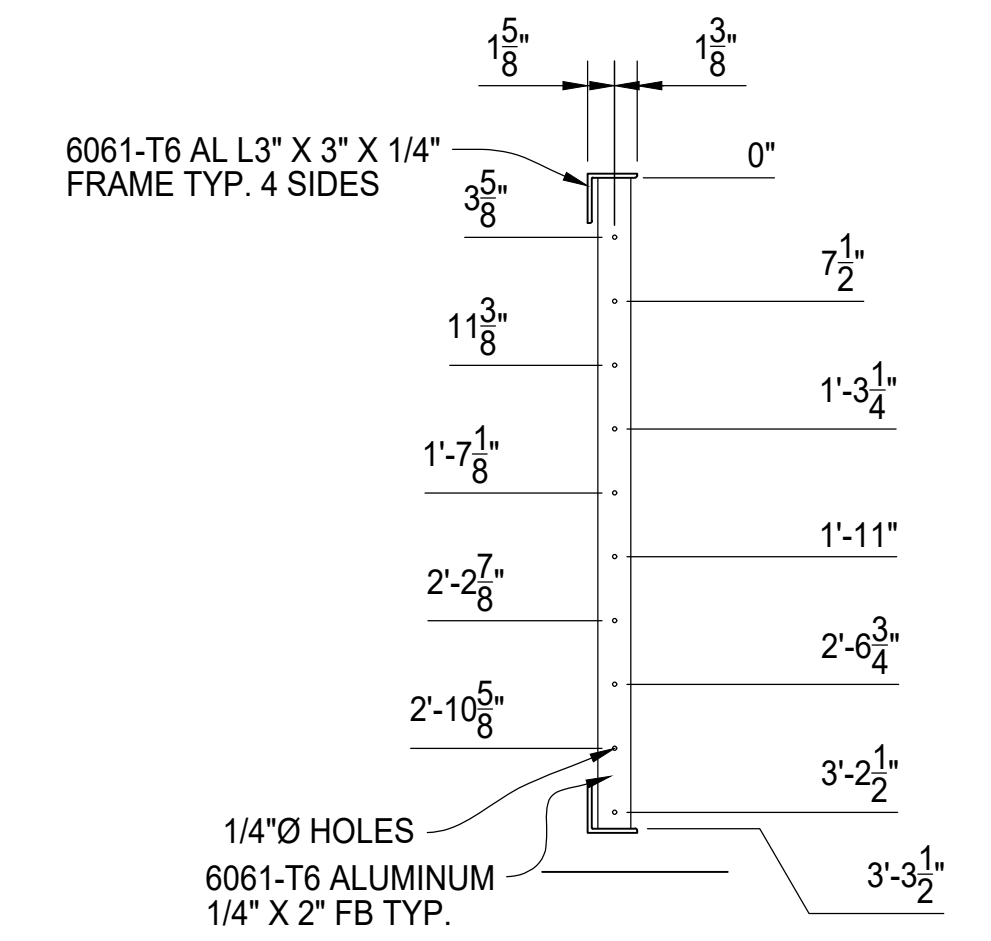
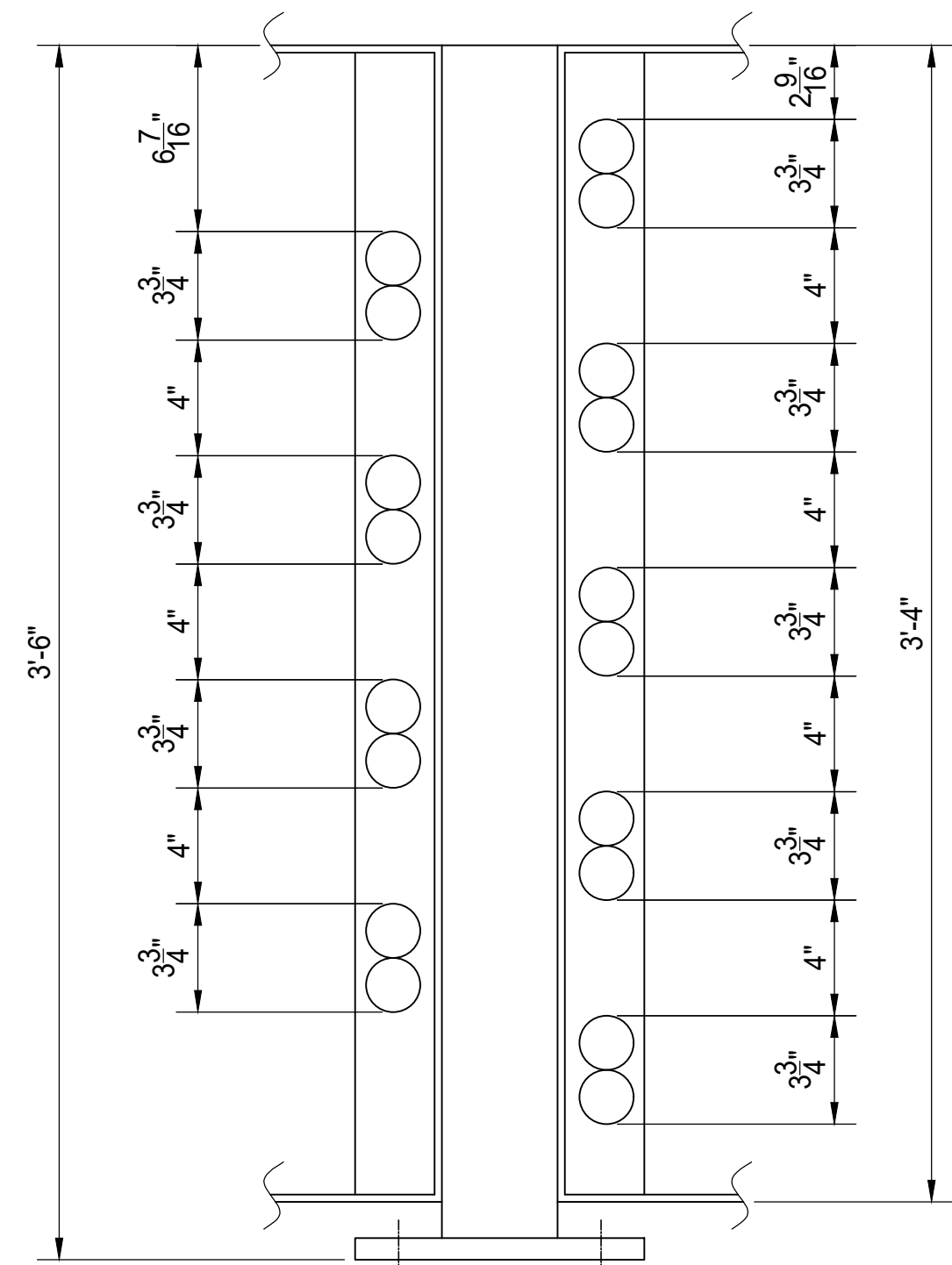


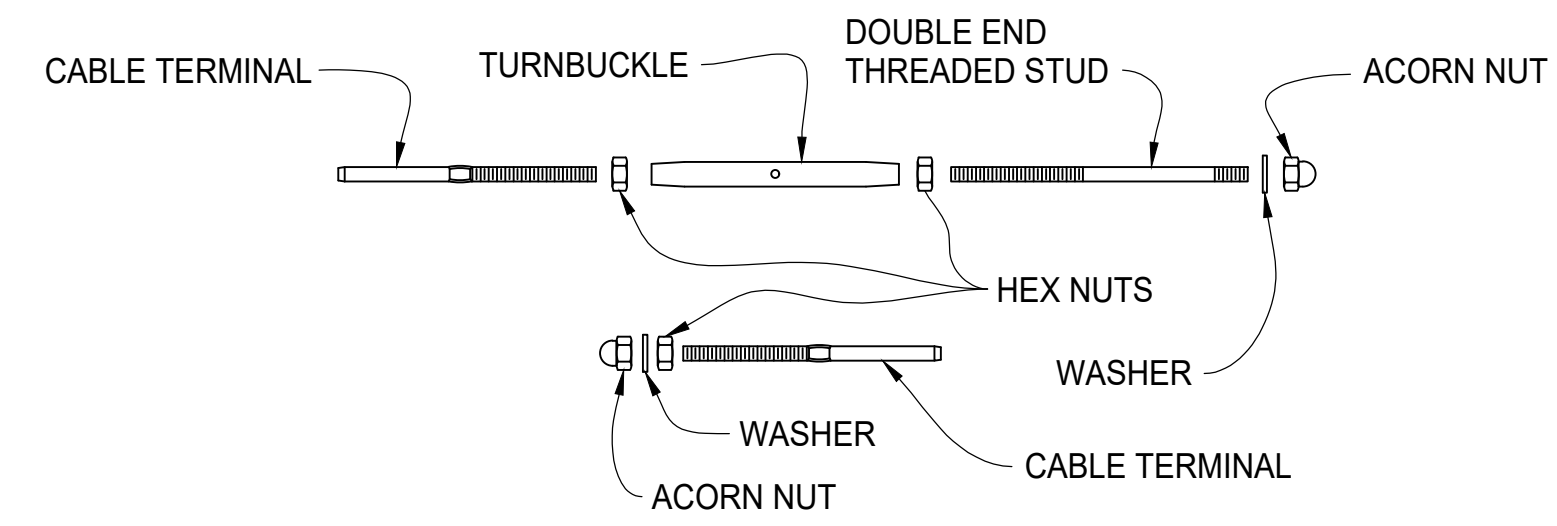
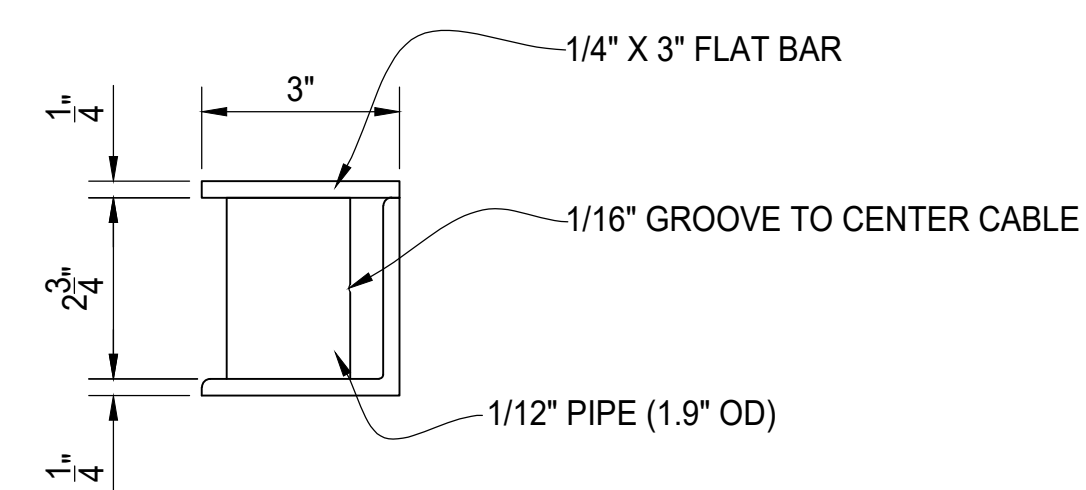
**ELEVATION VIEW OF CABLE FENCING**



**TYPICAL PANEL SECTION**



**A CABLE SPOOL DETAIL**



**B CABLE TENSIONER DETAIL**

**PalmSHIELD**

**ATTILA CABLE RAILING  
42" PANEL ELEVATION VIEW  
WITH DETAILS**

AMERICAN FENCE	CLIENT
PROJECT #	PROJECT #
REFERENCE	
JOB #	
CHKD BY:	SCALE: NTS
DRAWN BY: PB	DATE: 05/27/2020
REV	SHEET # 01