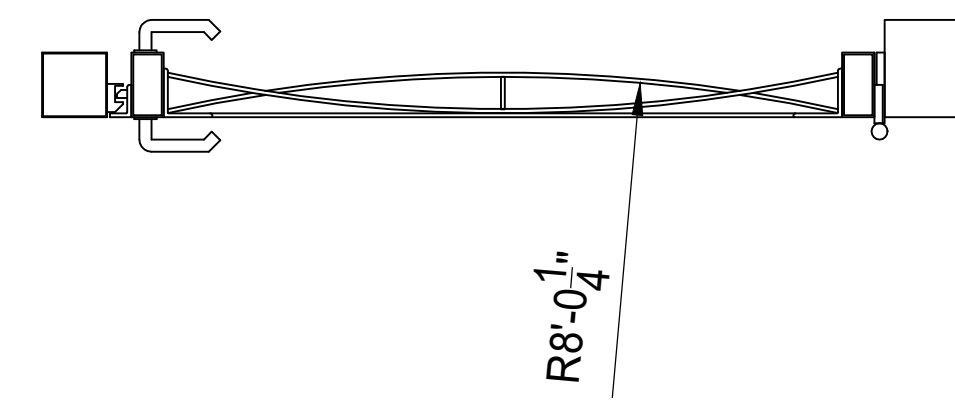
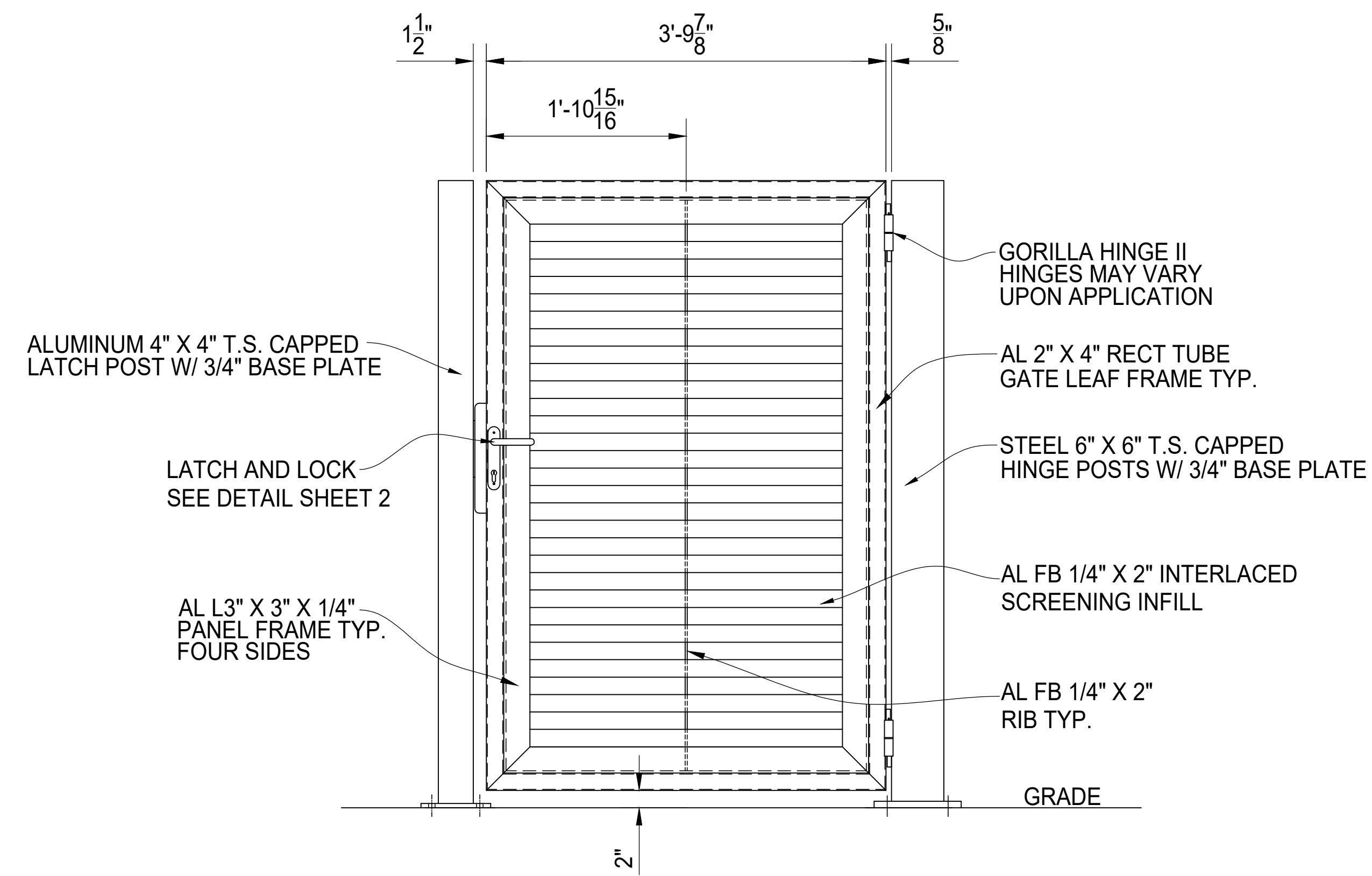


PLAN VIEW

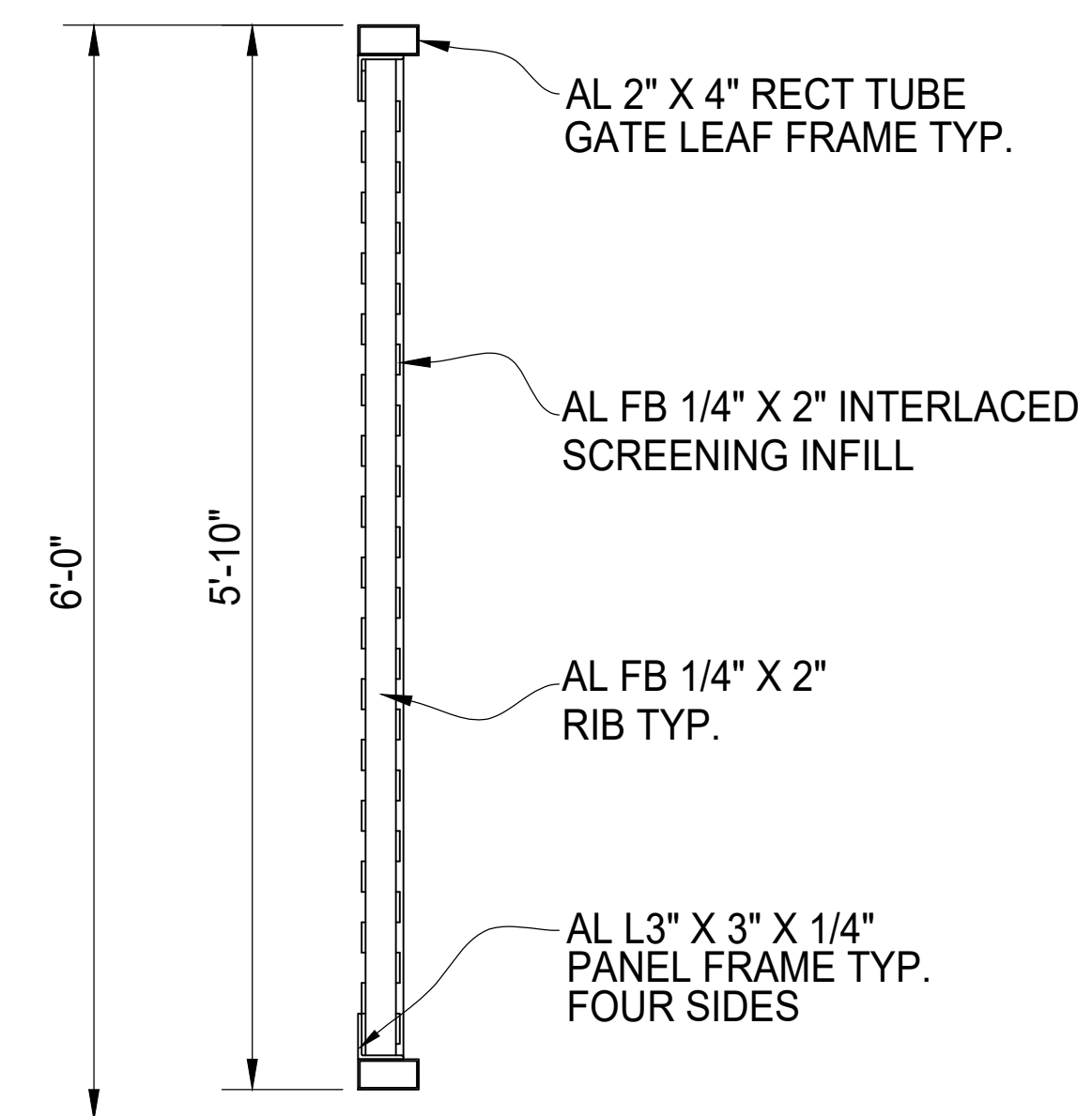


TOP GATE SECTION



ELEVATION VIEW

**SINGLE SWING GATE ASSEMBLY**  
HINGE SIDE AND OPENING DIRECTION MAY VARY  
SEE DETAIL SHEET 2 FOR HINGE AND LATCH



SIDE VIEW

**GATE SECTION**



ATHENA 6' TALL  
INTERLACED SCREENING INFILL  
4' WIDE PANEL