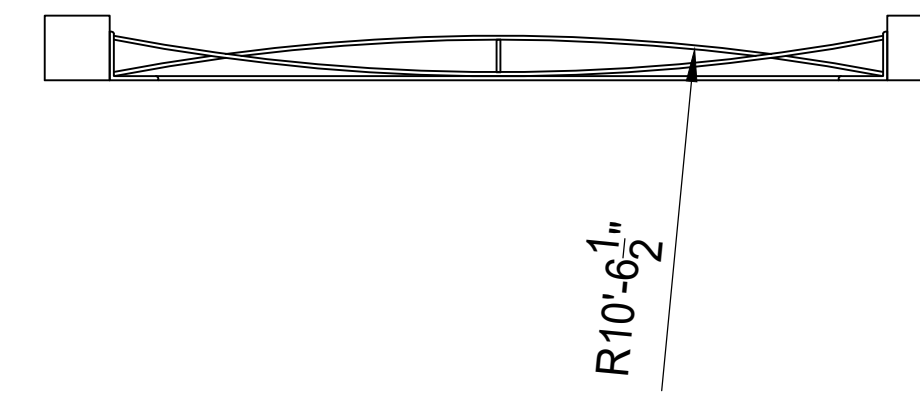
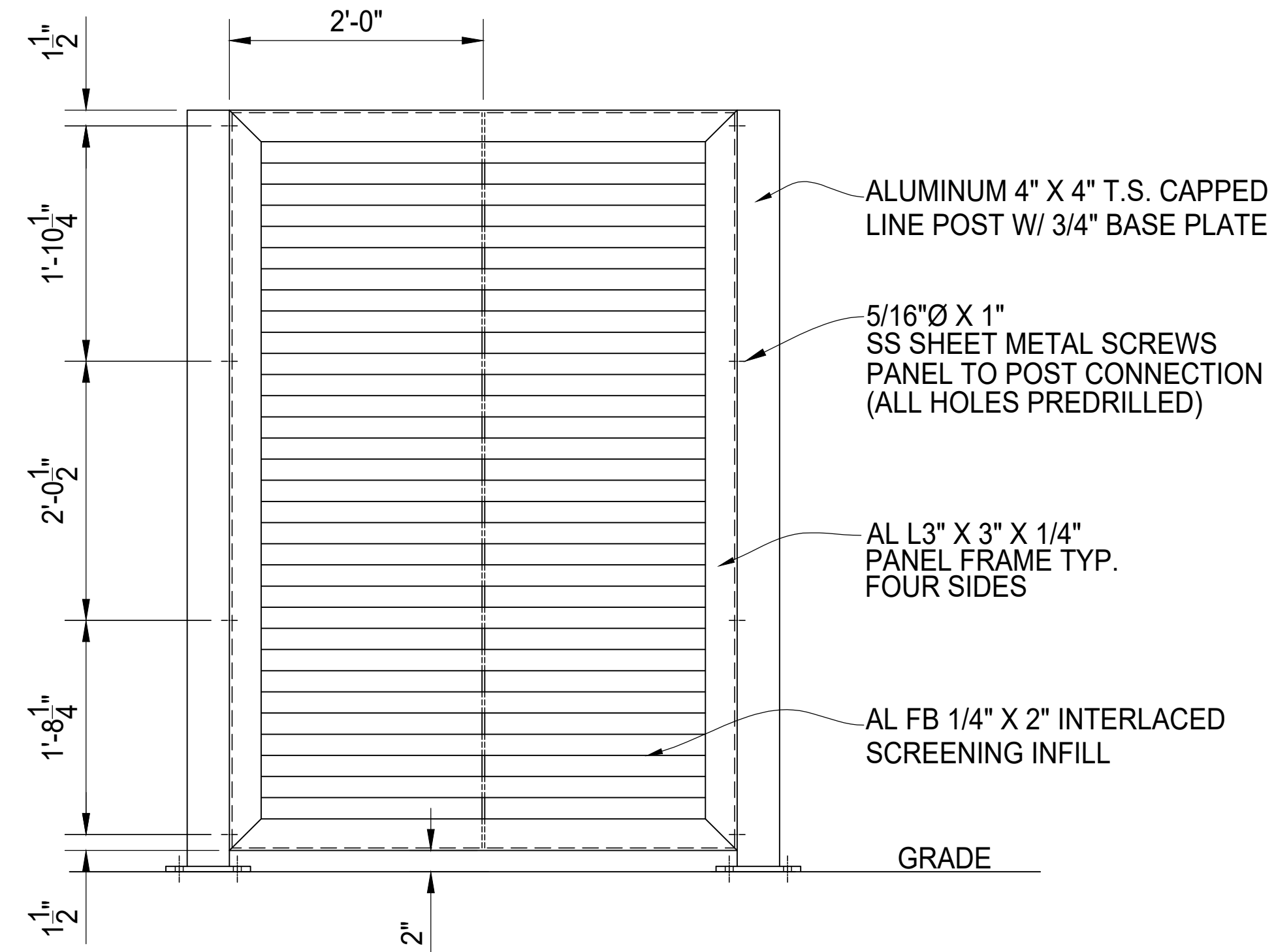


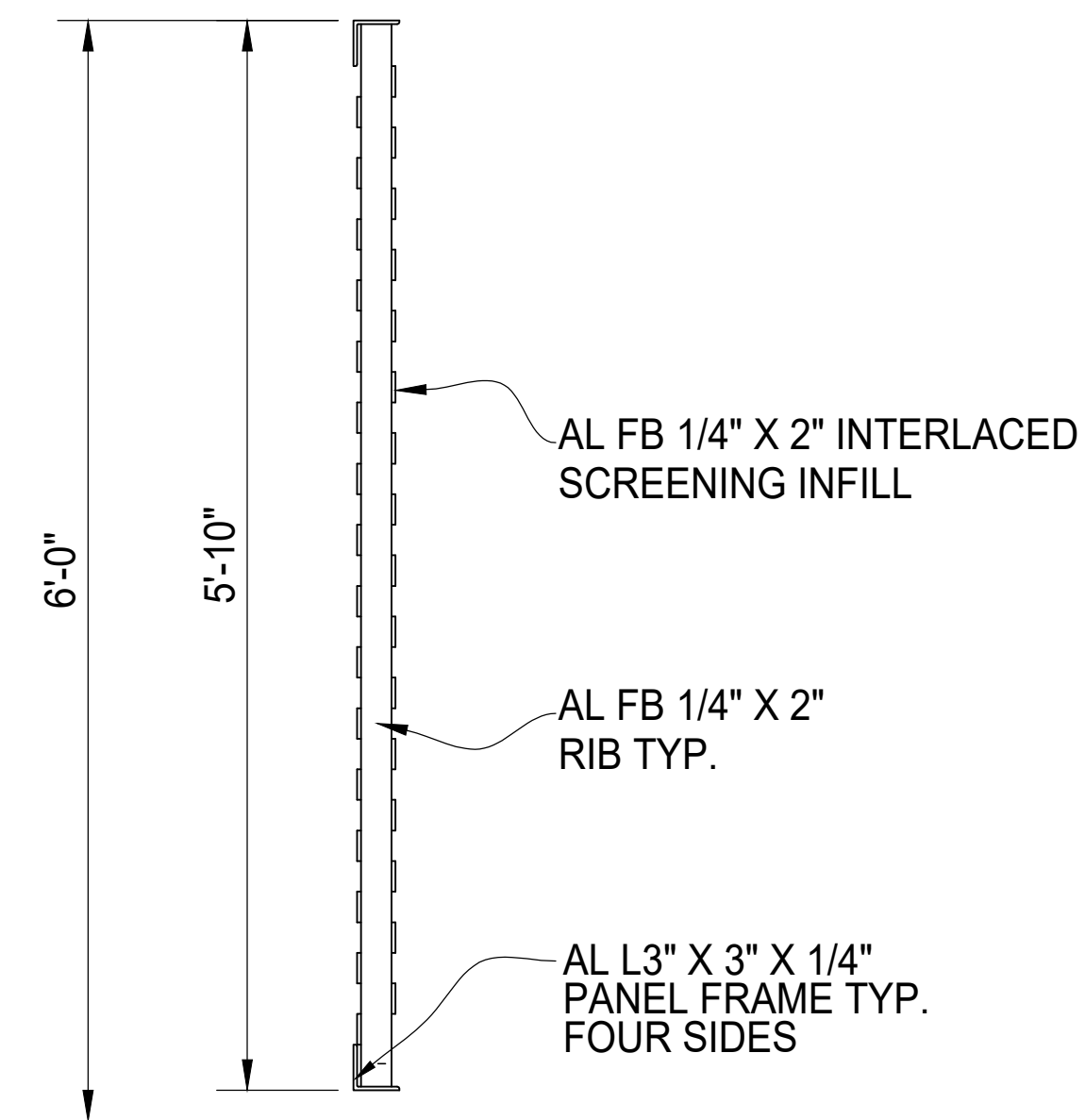
PLAN VIEW



TOP VIEW SECTION



ELEVATION VIEW
SINGLE SWING GATE ASSEMBLY



SIDE VIEW
PANEL SECTION TYP.



ATHENA 6' TALL
INTERLACED SCREENING INFILL
4' WIDE PANEL