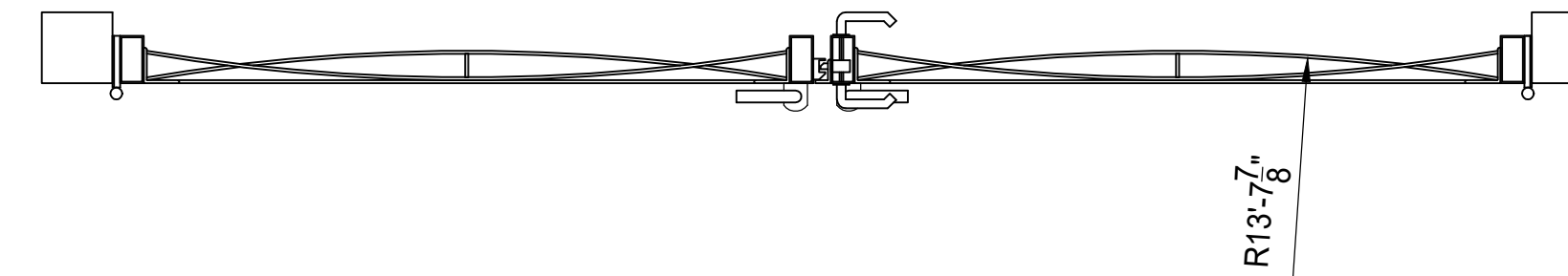
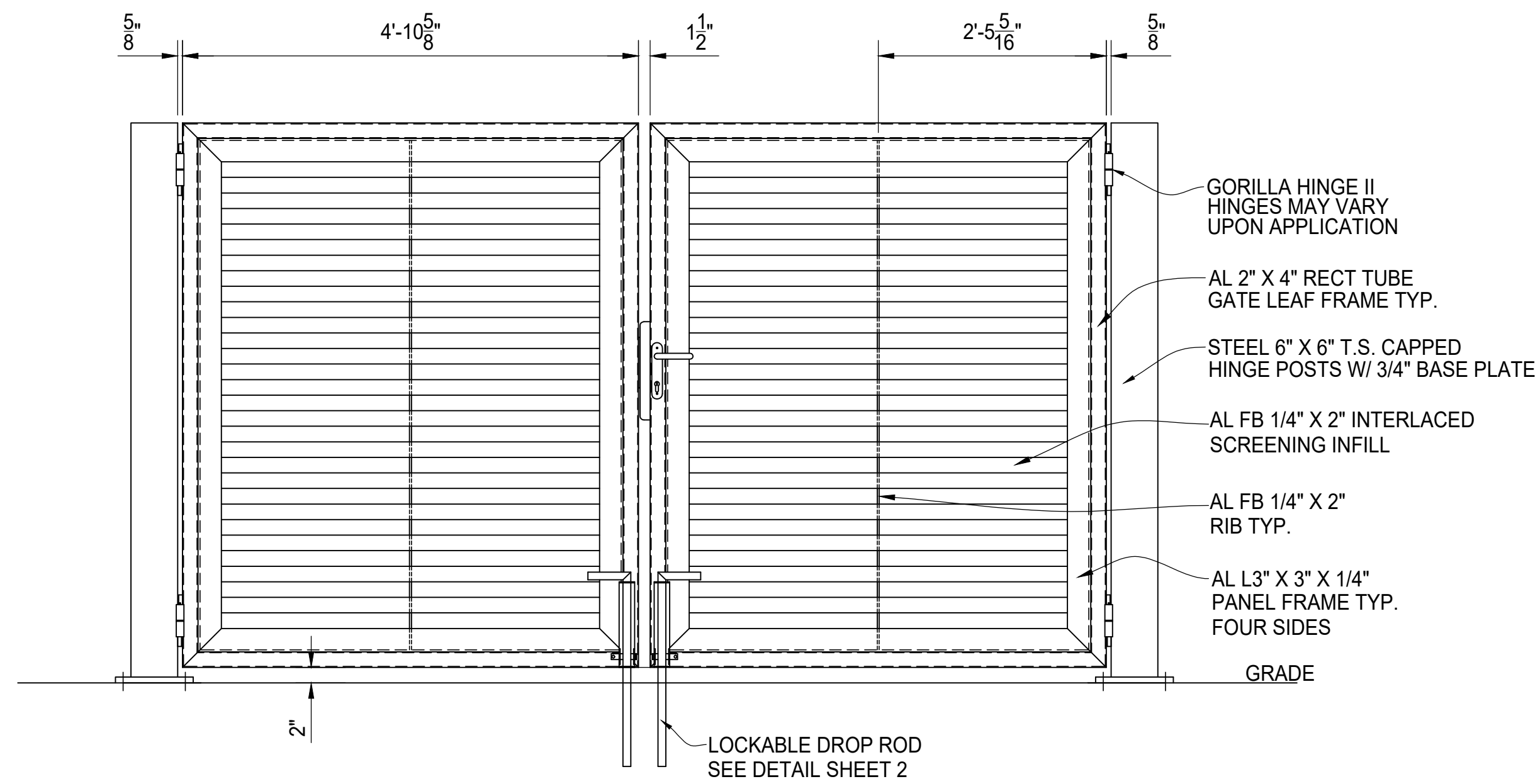


PLAN VIEW

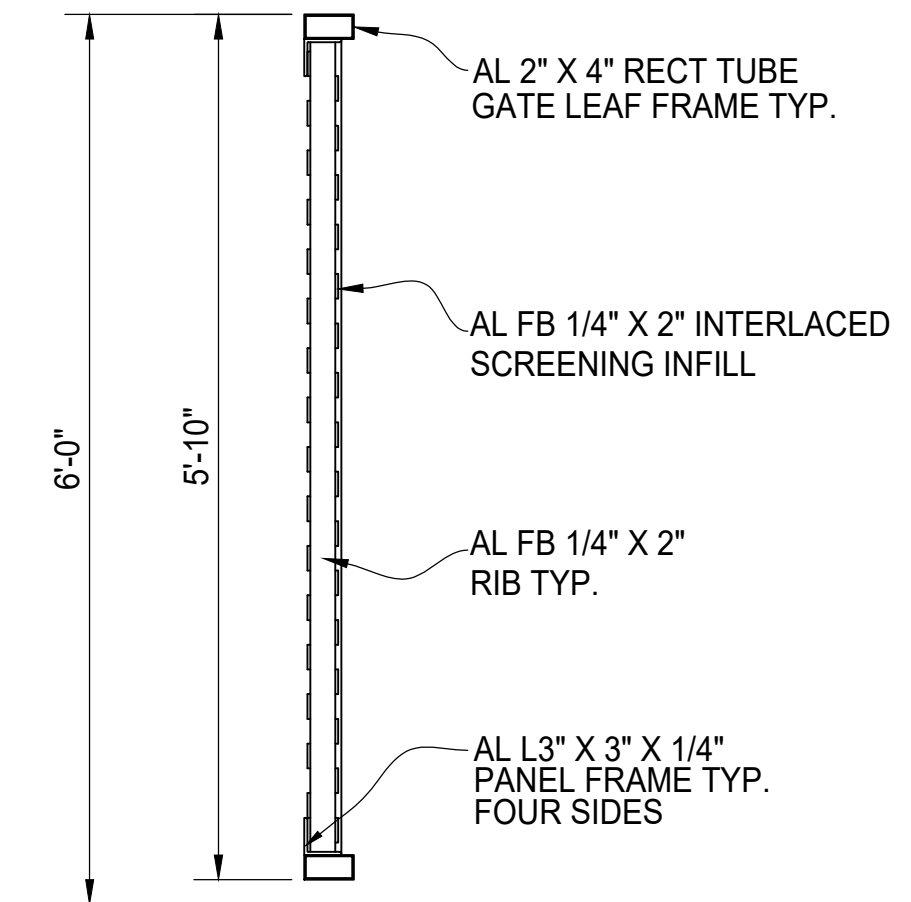


TOP GATE SECTION



ELEVATION VIEW

DOUBLE DRIVE GATE ASSEMBLY
SEE DETAIL SHEET 2 FOR HINGE, LATCH AND DROP ROD



SIDE VIEW

GATE SECTION



**ATHENA 6' TALL
INTERLACED SCREENING INFILL
10' WIDE DOUBLE DRIVE
GATE ELEVATION**