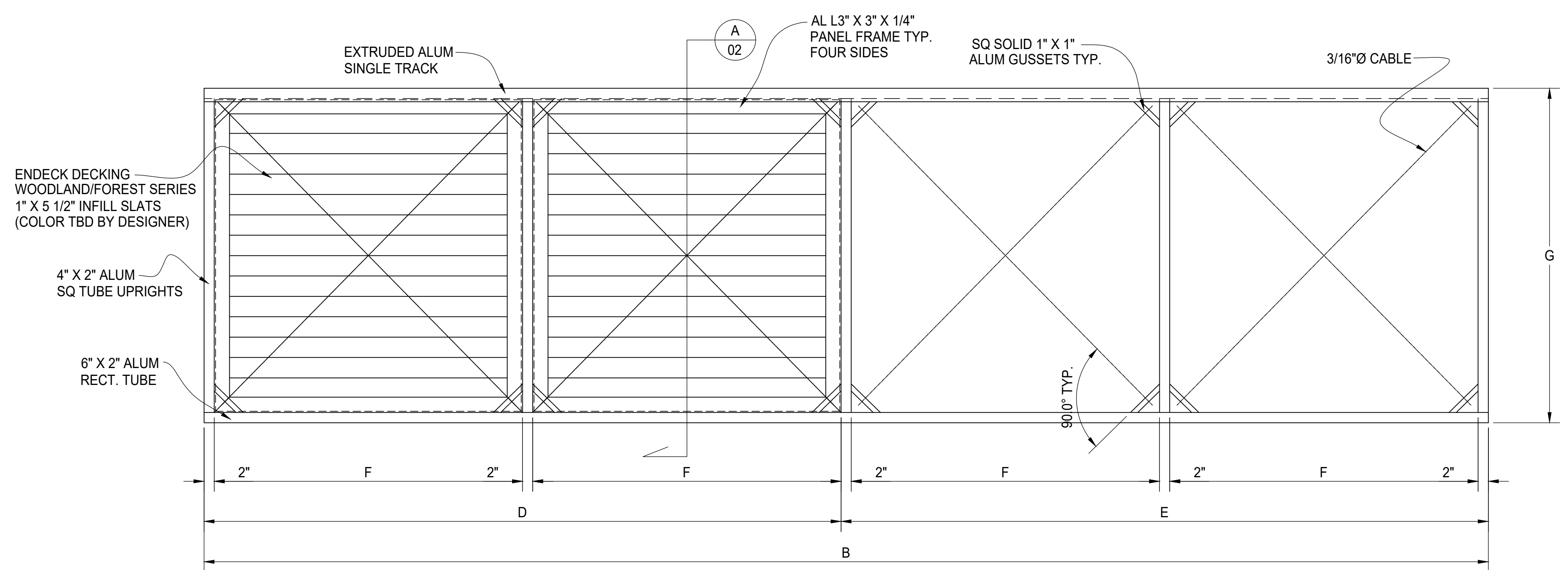
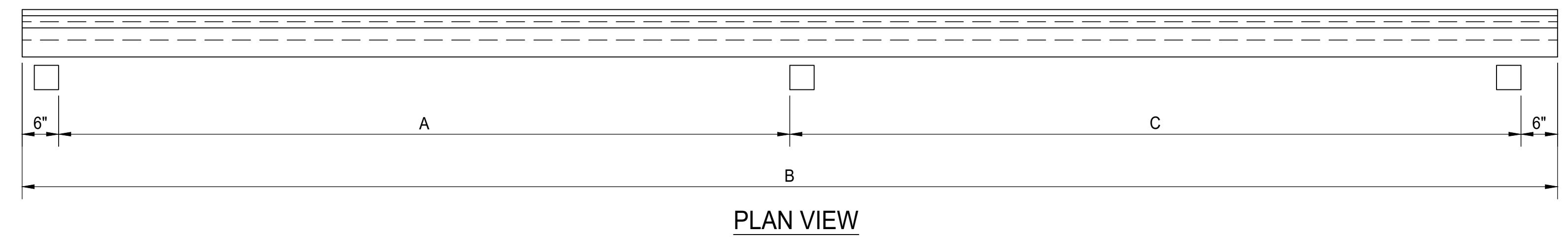
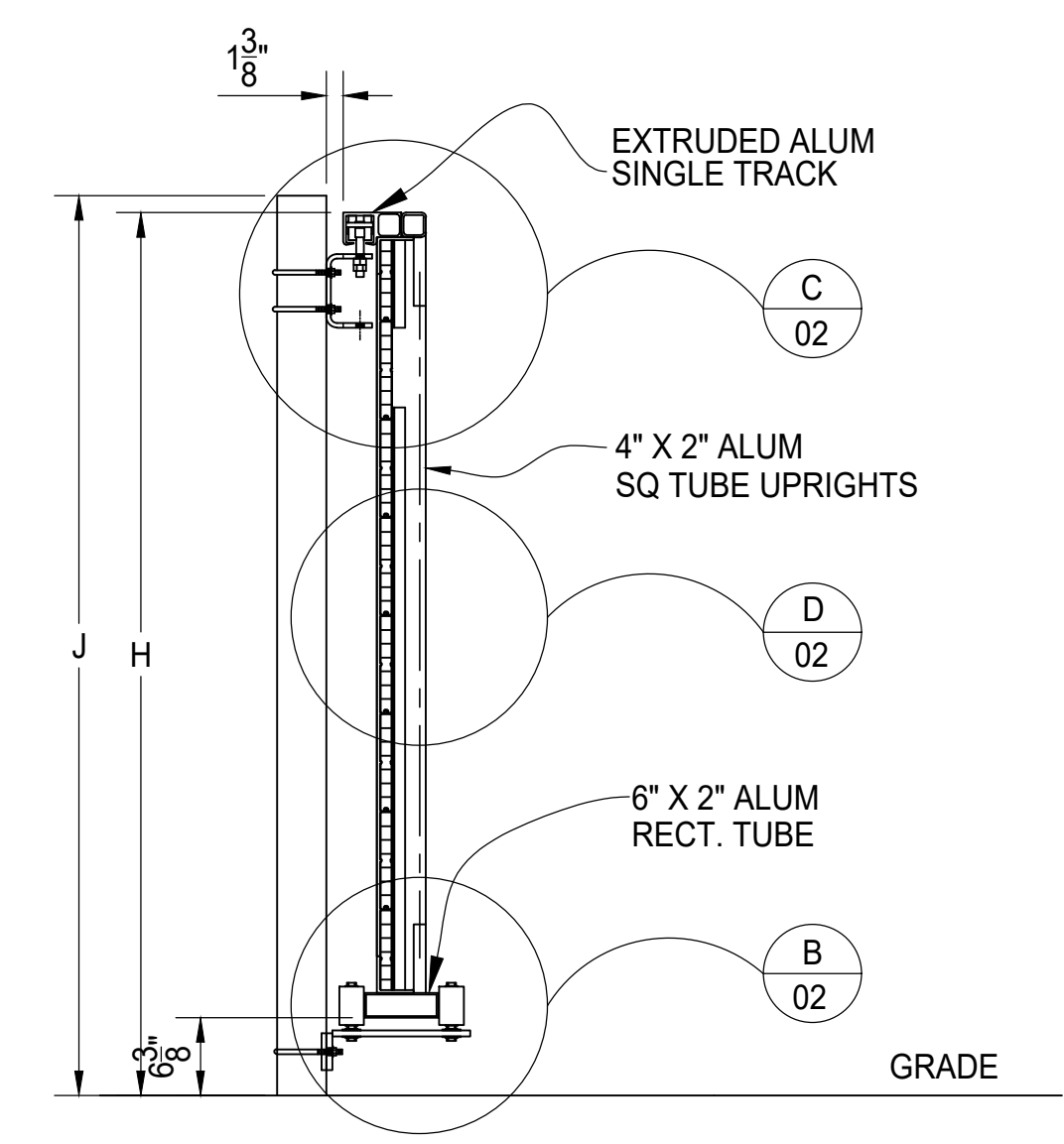


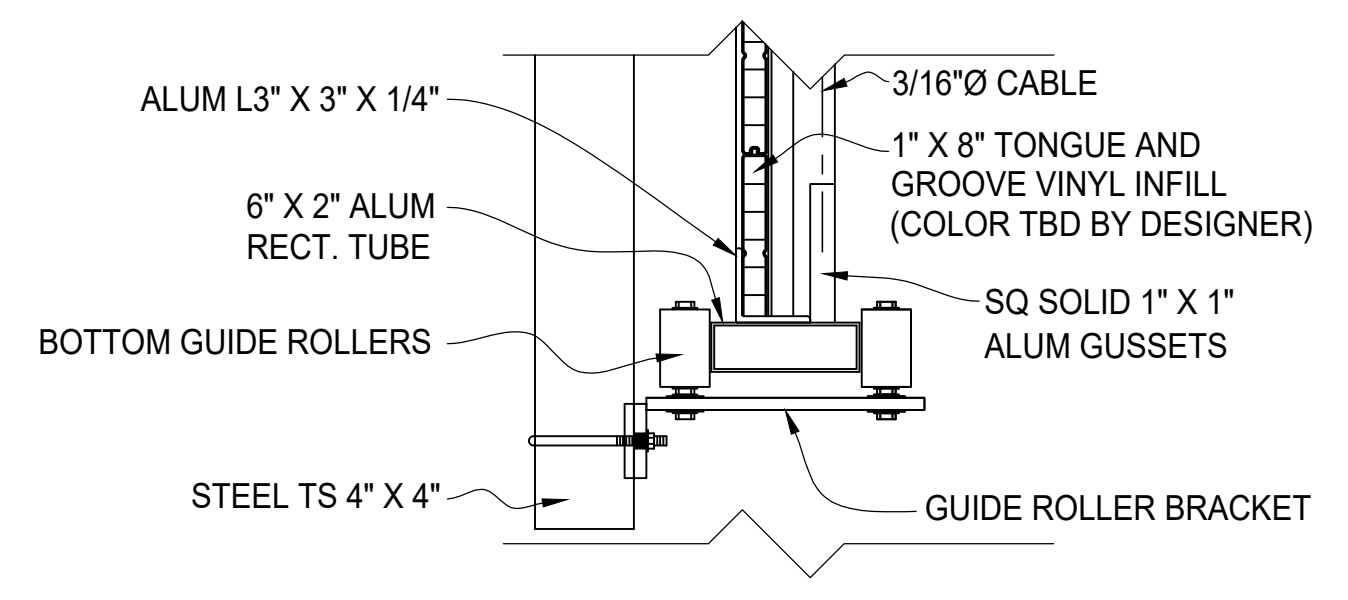
"A" INSIDE TO INSIDE CLEAR OPENING	
"B" LEAF WIDTH	
"C" TAIL SECTION POST SPACING	
"D" OPENING SECTION PANEL WIDTH	
"E" TAIL SECTION PANEL WIDTH	
"F" MULLION INSIDE TO INSIDE SPACING	
"G" GATE LEAF HEIGHT	
"H" GRADE TO TOP HEIGHT	
"J" FINIAL HEIGHT	
GATE SLIDES AS SHOWN?	
COLOR/FINISH?	
MATERIAL?	
ADDITIONAL INFORMATION:	



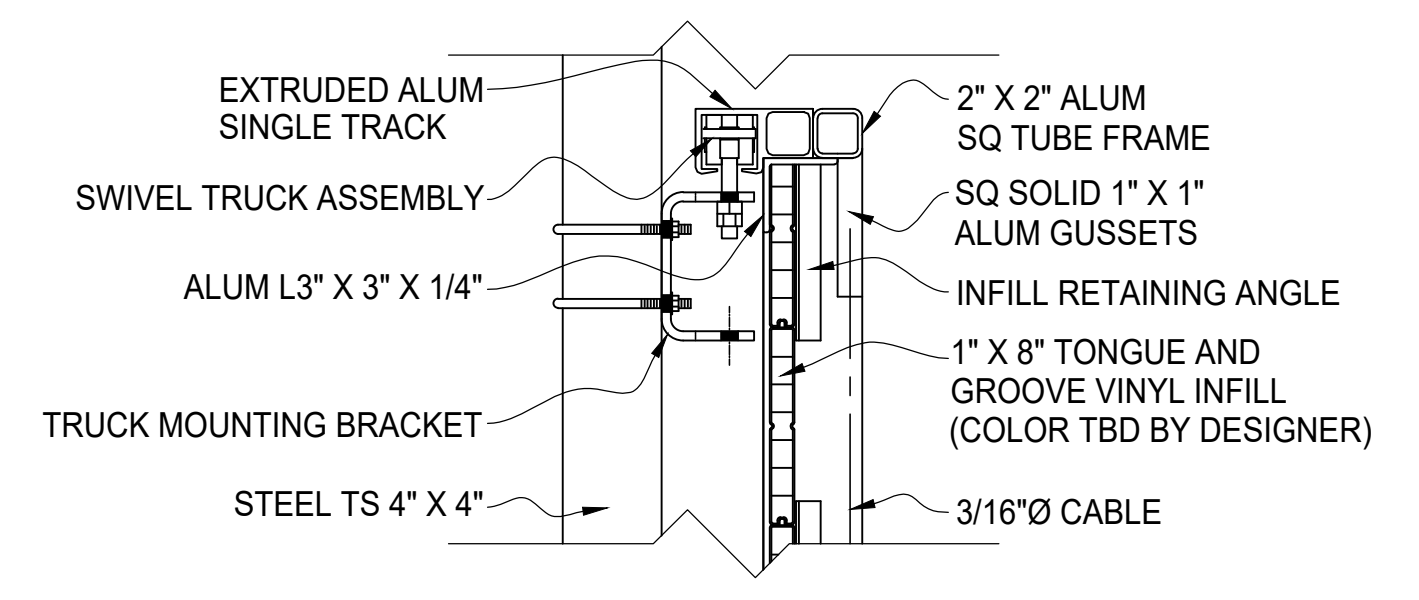
ELEVATIONVIEW
SLIDING CANTILEVER GATE
OUTSIDE LOOKING IN



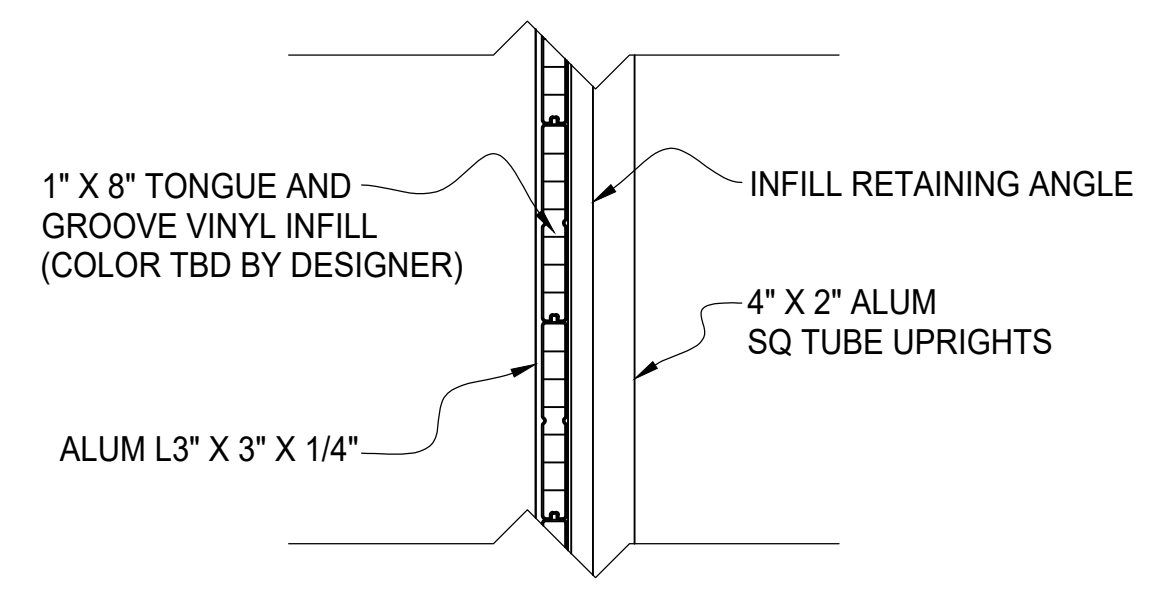
'A' SECTION



'B' DETAIL



'C' DETAIL



'D' DETAIL



TIGER 6' TALL
VINYL PANEL INFILL
10' WIDE SINGLE TRACK
SLIDE GATE ELEVATION