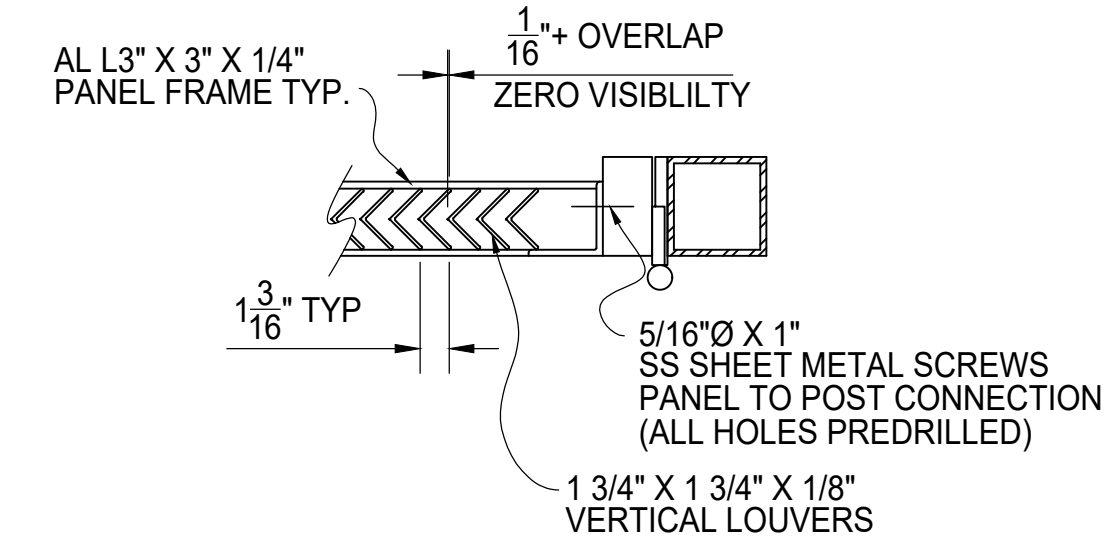
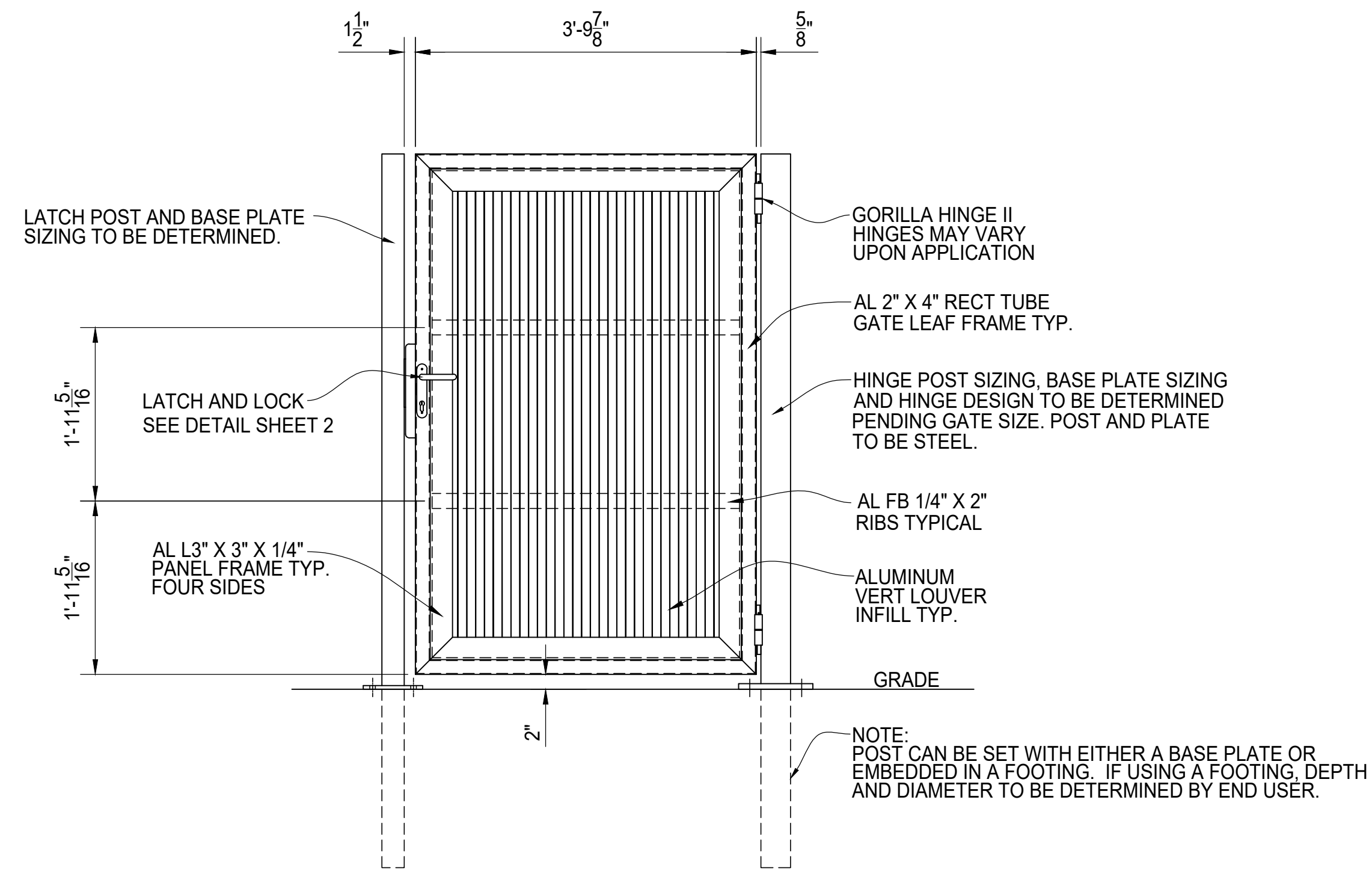


PLAN VIEW



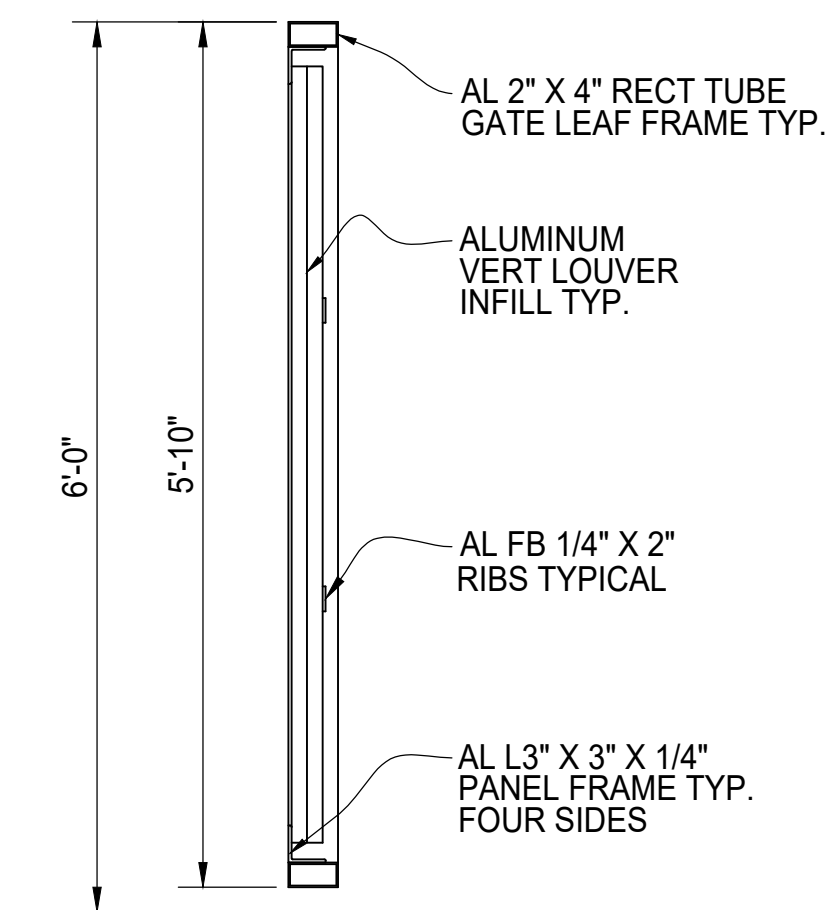
TYPICAL SECTION DETAIL



ELEVATION VIEW

**SINGLE SWING GATE ASSEMBLY**

HINGE SIDE AND OPENING DIRECTION MAY VARY  
SEE DETAIL SHEET 2 FOR HINGE AND LATCH



SIDE VIEW

**GATE SECTION**



**ATLAS 6' TALL  
VERTICAL LOUVER INFILL  
SINGLE SWING 4' WIDE GATE  
GATE ELEVATION**

AMERICAN FENCE PROJECT #	CLIENT PROJECT #
REFERENCE JOB #	
CHKD BY:	SCALE: N.T.S.   DRAWN BY: PB   DATE: 04/22/2020   REV:   SHEET # 01