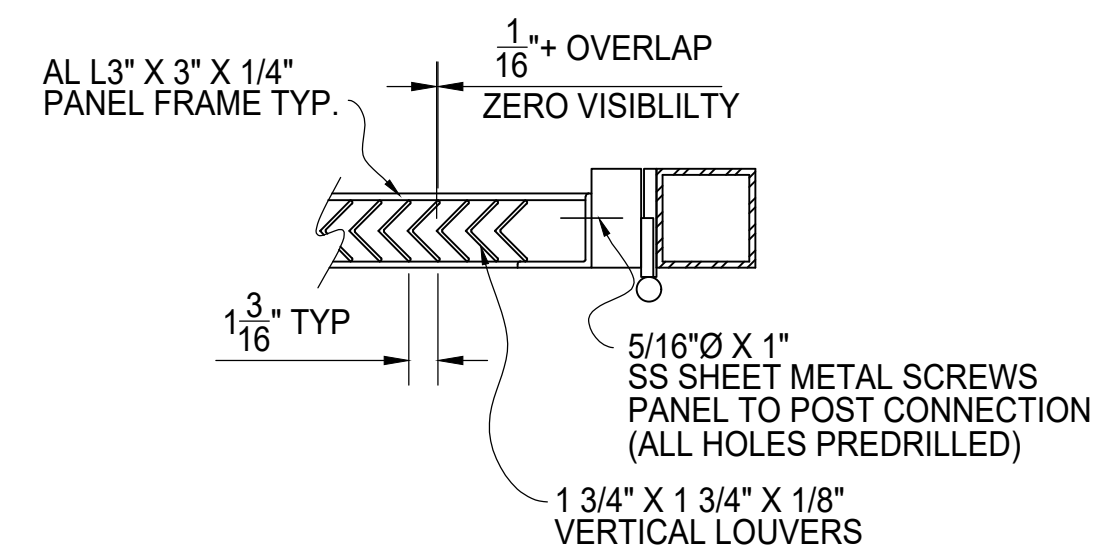
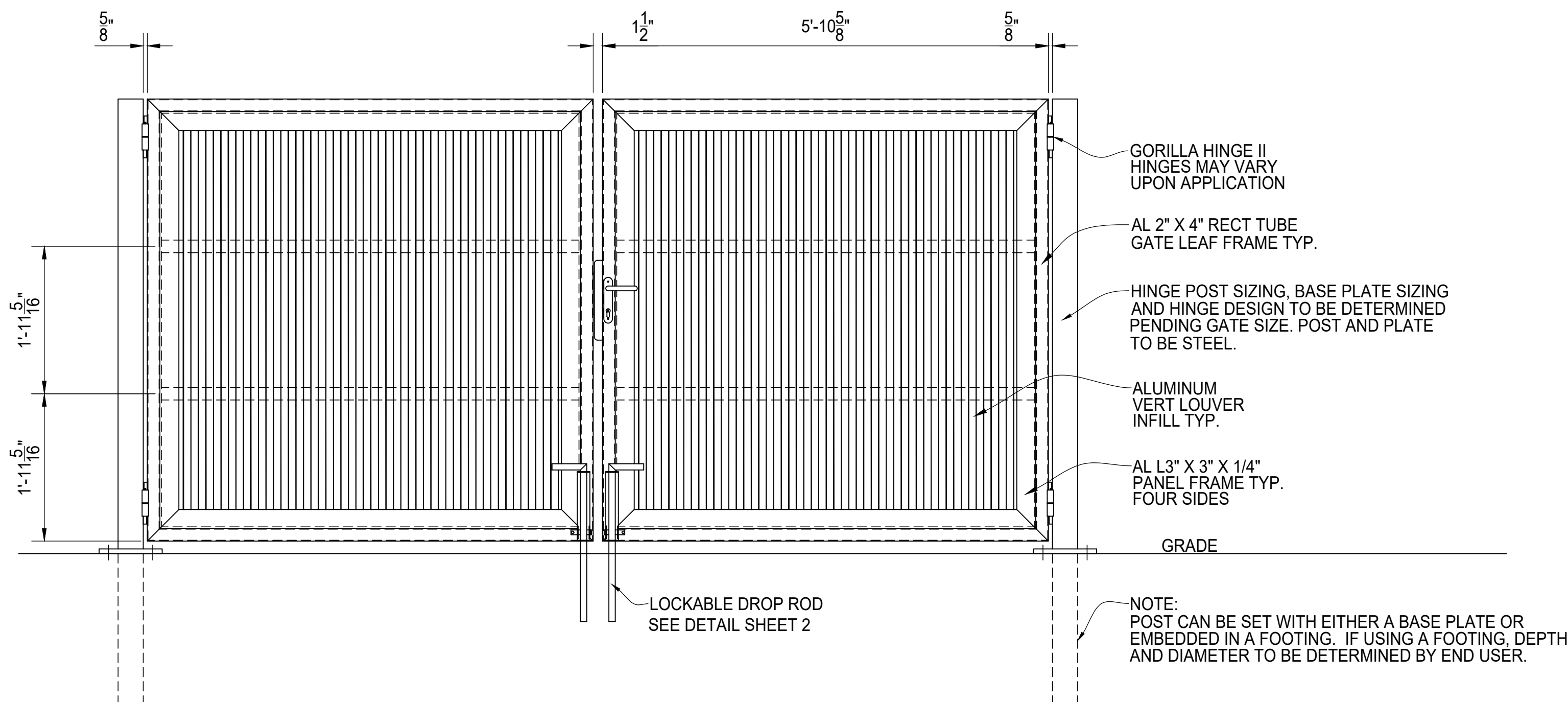


PLAN VIEW

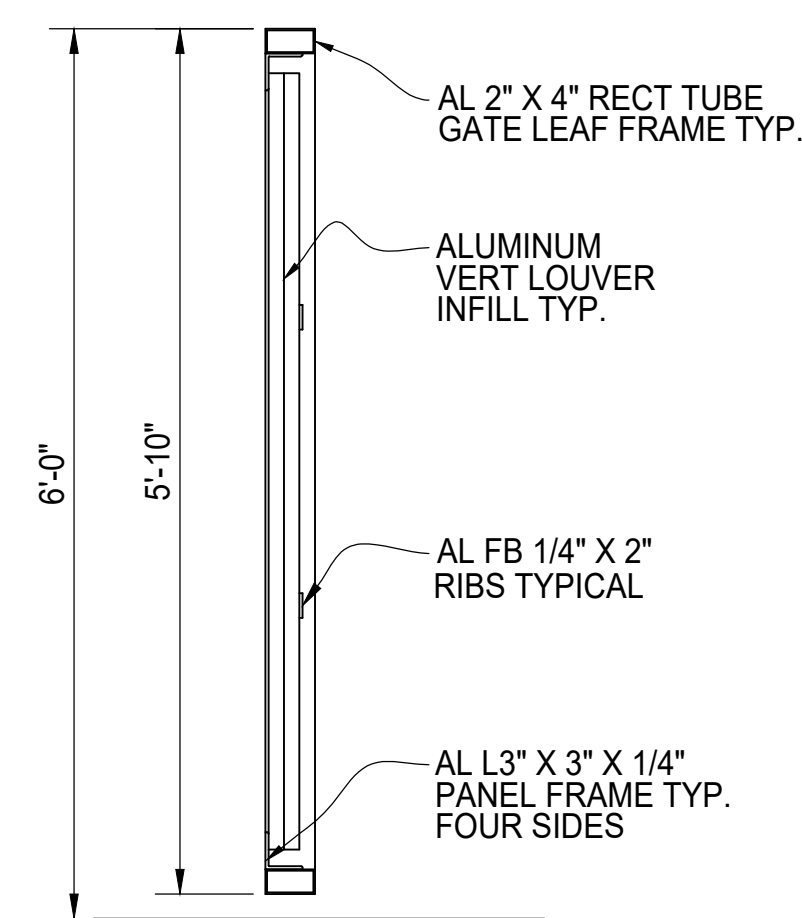


TYPICAL SECTION DETAIL



ELEVATION VIEW

DOUBLE DRIVE GATE ASSEMBLY  
SEE DETAIL SHEET 2 FOR HINGE, LATCH AND DROP ROD



SIDE VIEW

GATE SECTION



ATLAS 6' TALL  
VERTICAL LOUVER INFILL  
12' WIDE DOUBLE DRIVE  
GATE ELEVATION

AMERICAN FENCE	CLIENT
PROJECT #	PROJECT #
REFERENCE	
LOG #	
CHKD BY:	SCALE: N.T.S.
DRAWN BY: PB	DATE: 04/22/2020
REV:	SHEET # 01