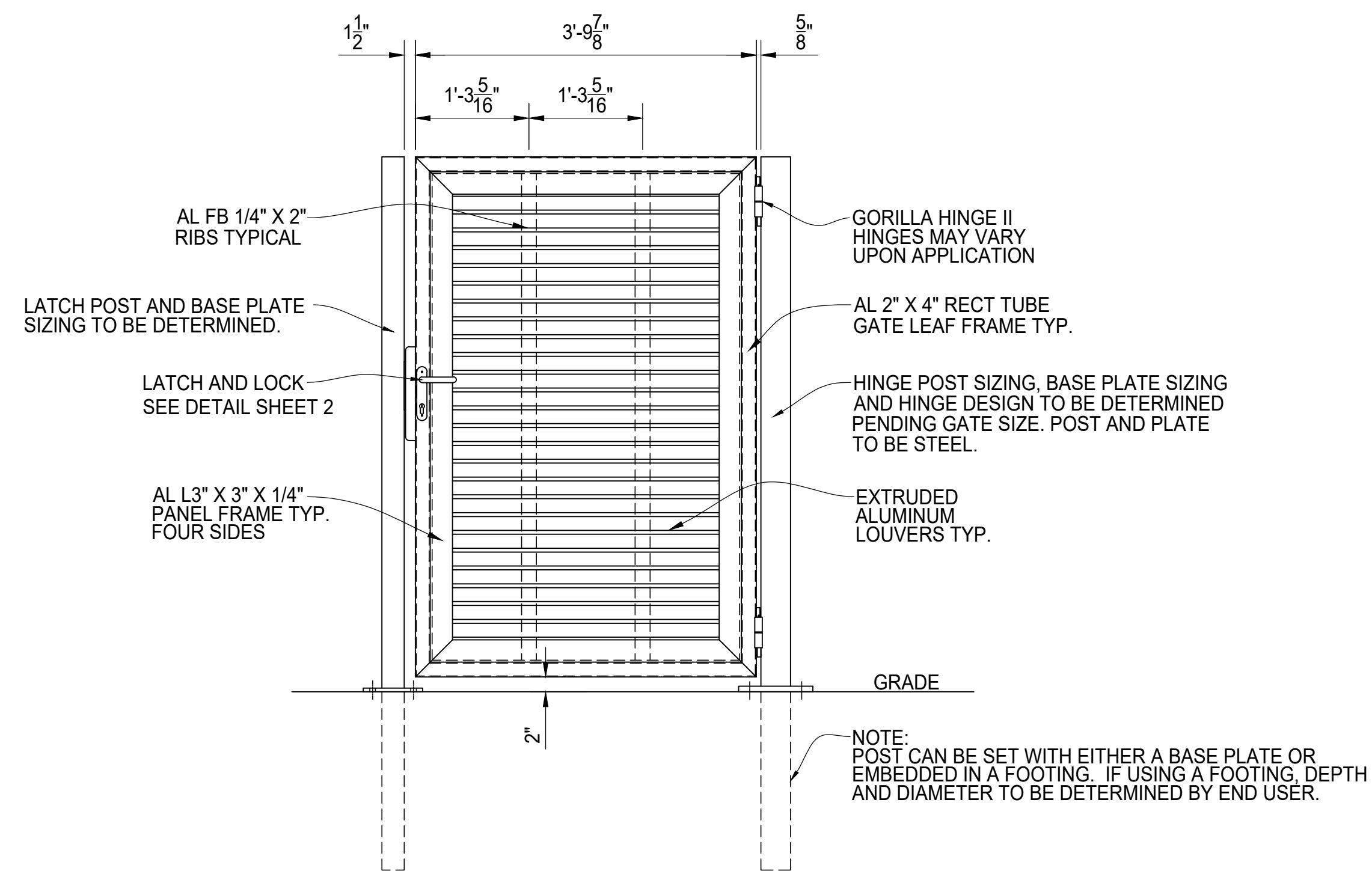


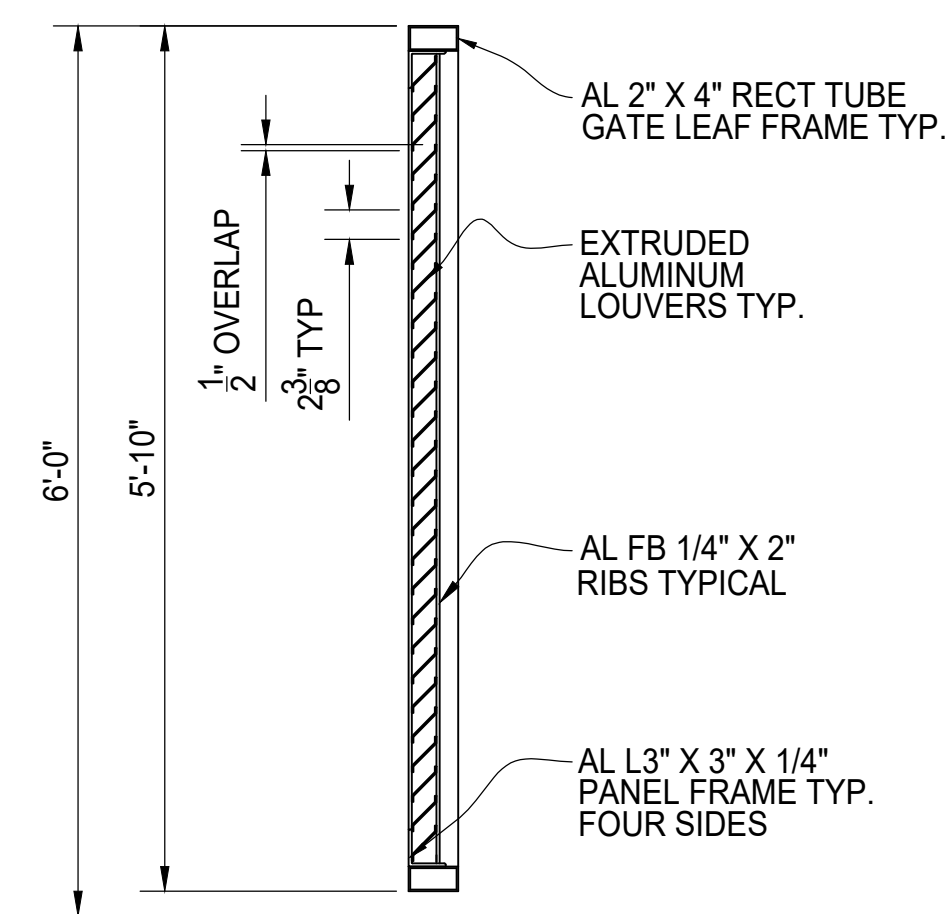
PLAN VIEW



ELEVATION VIEW

SINGLE SWING GATE ASSEMBLY

HINGE SIDE AND OPENING DIRECTION MAY VARY
SEE DETAIL SHEET 2 FOR HINGE AND LATCH



SIDE VIEW

GATE SECTION



**ATLAS 6' TALL
HORIZONTAL LOUVER INFILL
SINGLE SWING 4' WIDE GATE
GATE ELEVATION**

| | |
|--------------------------|------------------|
| AMERICAN FENCE PROJECT # | CLIENT PROJECT # |
| REFERENCE JOB # | |
| CHKD BY: | SCALE: N.T.S. |
| DRAWN BY: PB | DATE: 04/22/2020 |
| REV: | SHEET # 01 |