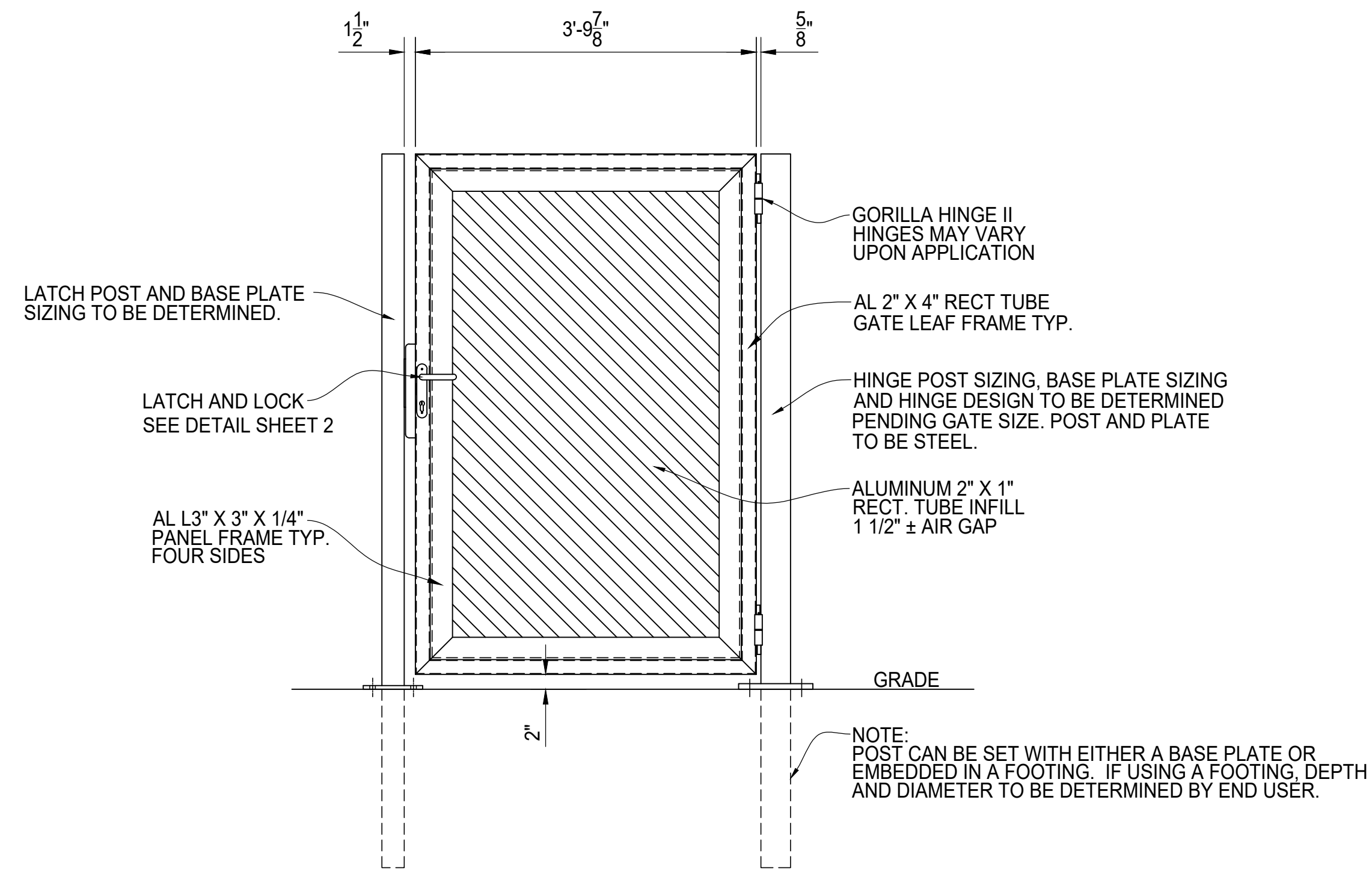
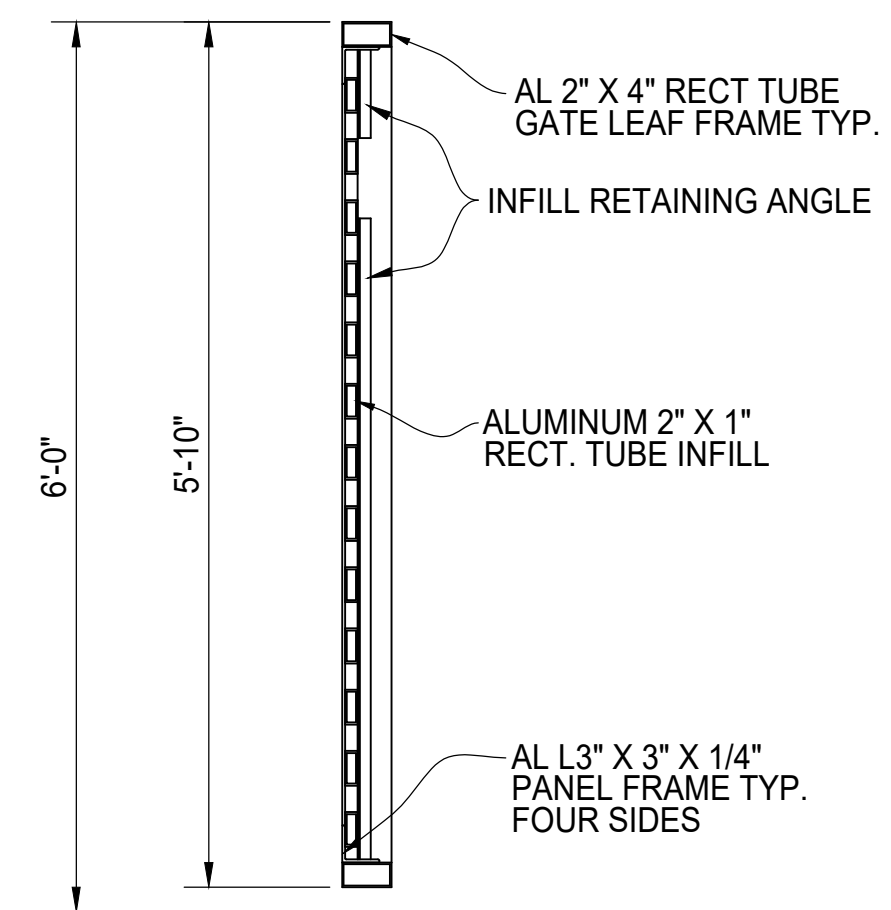


PLAN VIEW



ELEVATION VIEW

SINGLE SWING GATE ASSEMBLY
 HINGE SIDE AND OPENING DIRECTION MAY VARY
 SEE DETAIL SHEET 2 FOR HINGE AND LATCH



SIDE VIEW

GATE SECTION



**ATLAS 6' TALL
 DIAGONAL LOUVER INFILL
 SINGLE SWING 4' WIDE GATE
 GATE ELEVATION**

AMERICAN FENCE PROJECT #	CLIENT PROJECT #
REFERENCE JOB #	
CHKD BY:	SCALE: N.T.S.
DRAWN BY: PB	DATE: 04/22/2020
REV:	SHEET # 01