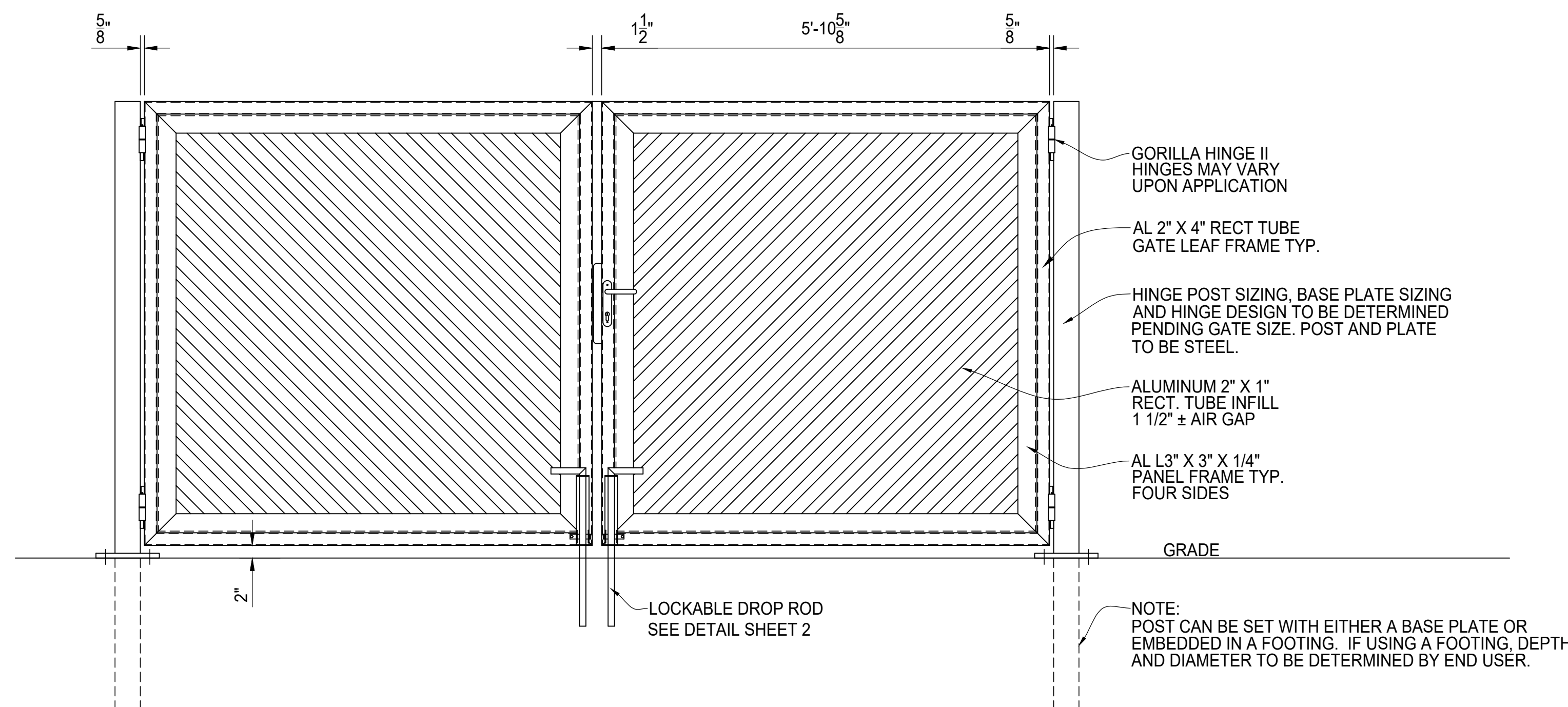
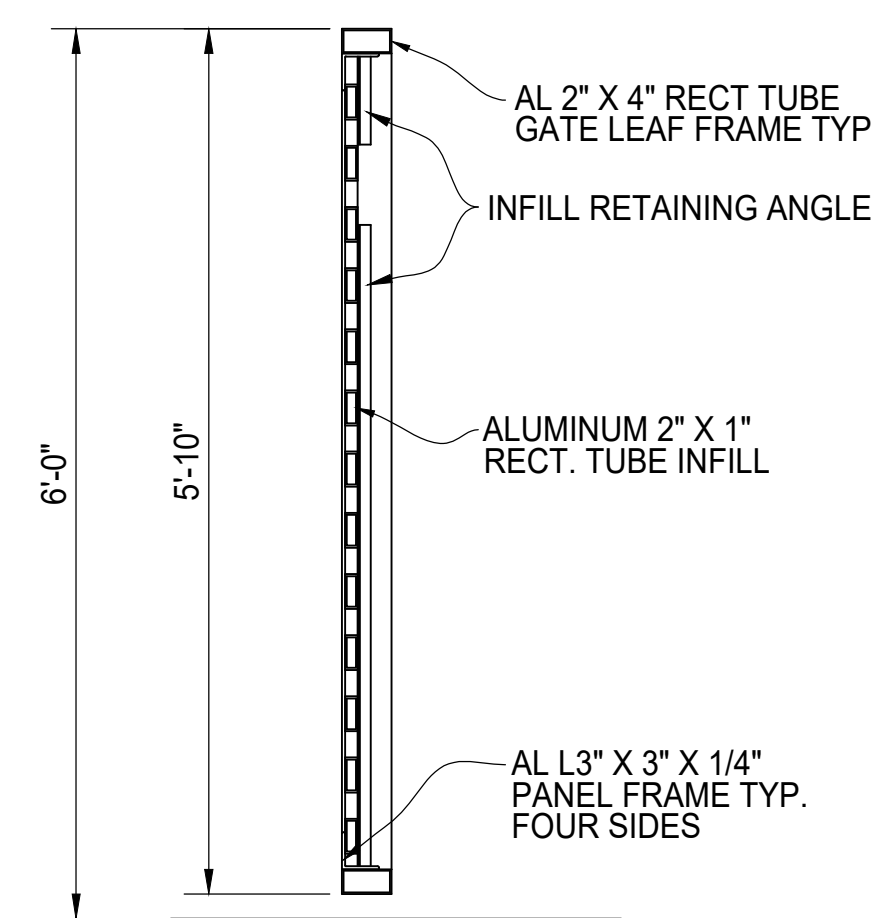


PLAN VIEW



ELEVATION VIEW

DOUBLE DRIVE GATE ASSEMBLY
SEE DETAIL SHEET 2 FOR HINGE, LATCH AND DROP ROD



SIDE VIEW

GATE SECTION



**ATLAS 6' TALL
DIAGONAL LOUVER INFILL
12' WIDE DOUBLE DRIVE
GATE ELEVATION**

AMERICAN FENCE PROJECT #	CLIENT PROJECT #
REFERENCE JOB #	
CHKD BY:	SCALE: N.T.S. DRAWN: PB DATE: 04/22/2020 REV: SHEET # 01