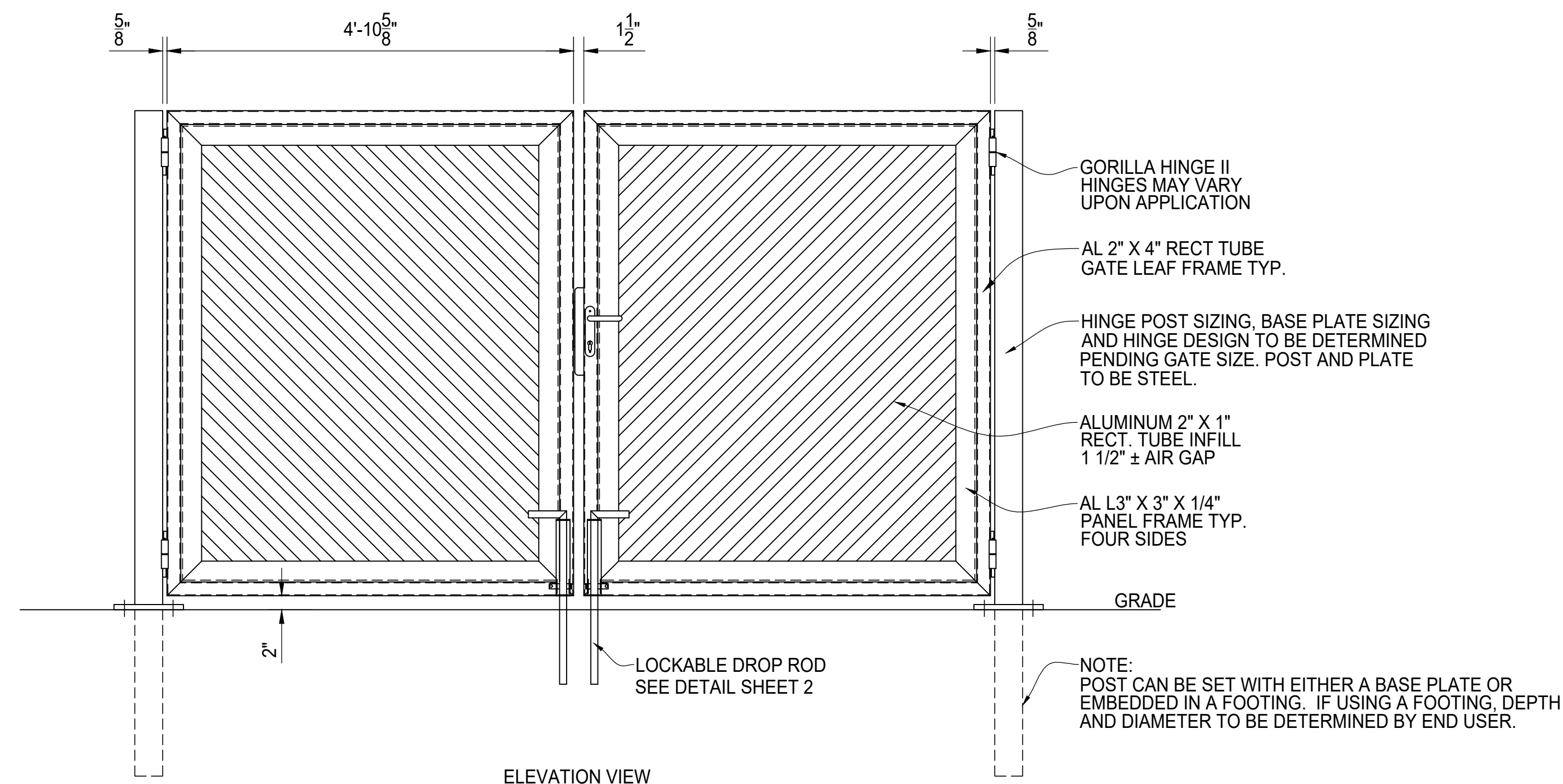
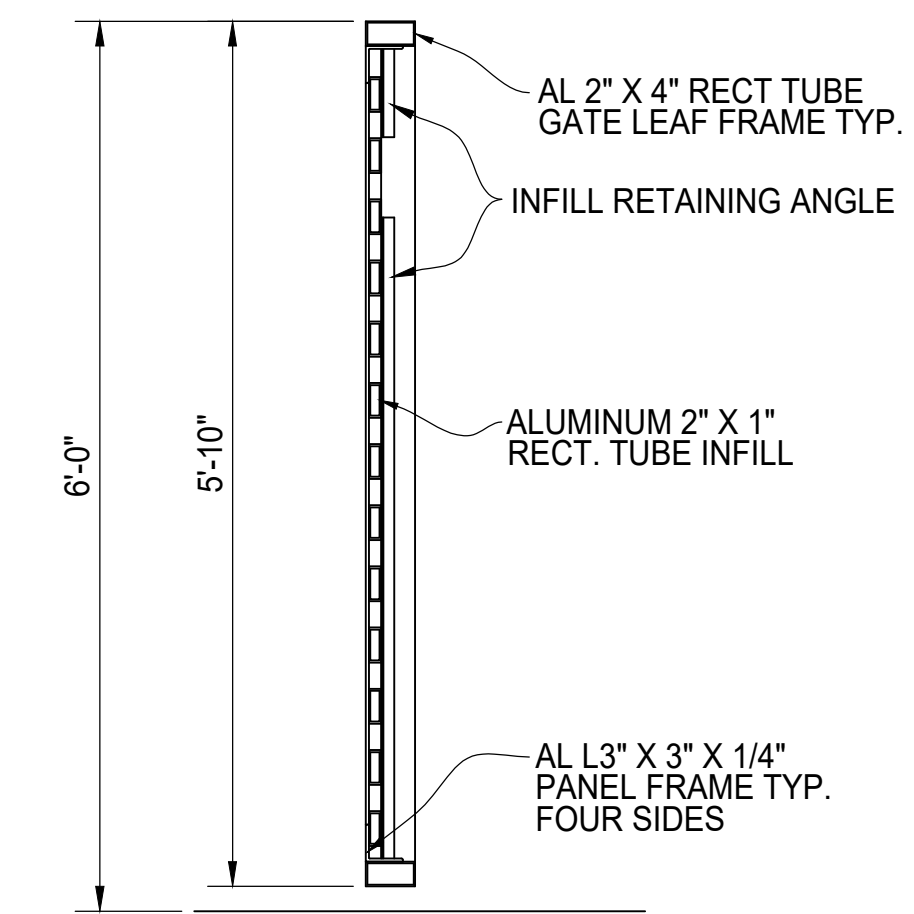


PLAN VIEW



ELEVATION VIEW

**DOUBLE DRIVE GATE ASSEMBLY**  
 SEE DETAIL SHEET 2 FOR HINGE, LATCH AND DROP ROD



SIDE VIEW

**GATE SECTION**



**ATLAS 6' TALL  
 DIAGONAL LOUVER INFILL  
 10' WIDE DOUBLE DRIVE  
 GATE ELEVATION**

AMERICAN FENCE	CLIENT
PROJECT #	PROJECT #
REFERENCE	
JOB #	
CHKD BY:	SCALE: N.T.S.
DRAWN BY: PB	DATE: 04/22/2020
REV	SHEET # 01