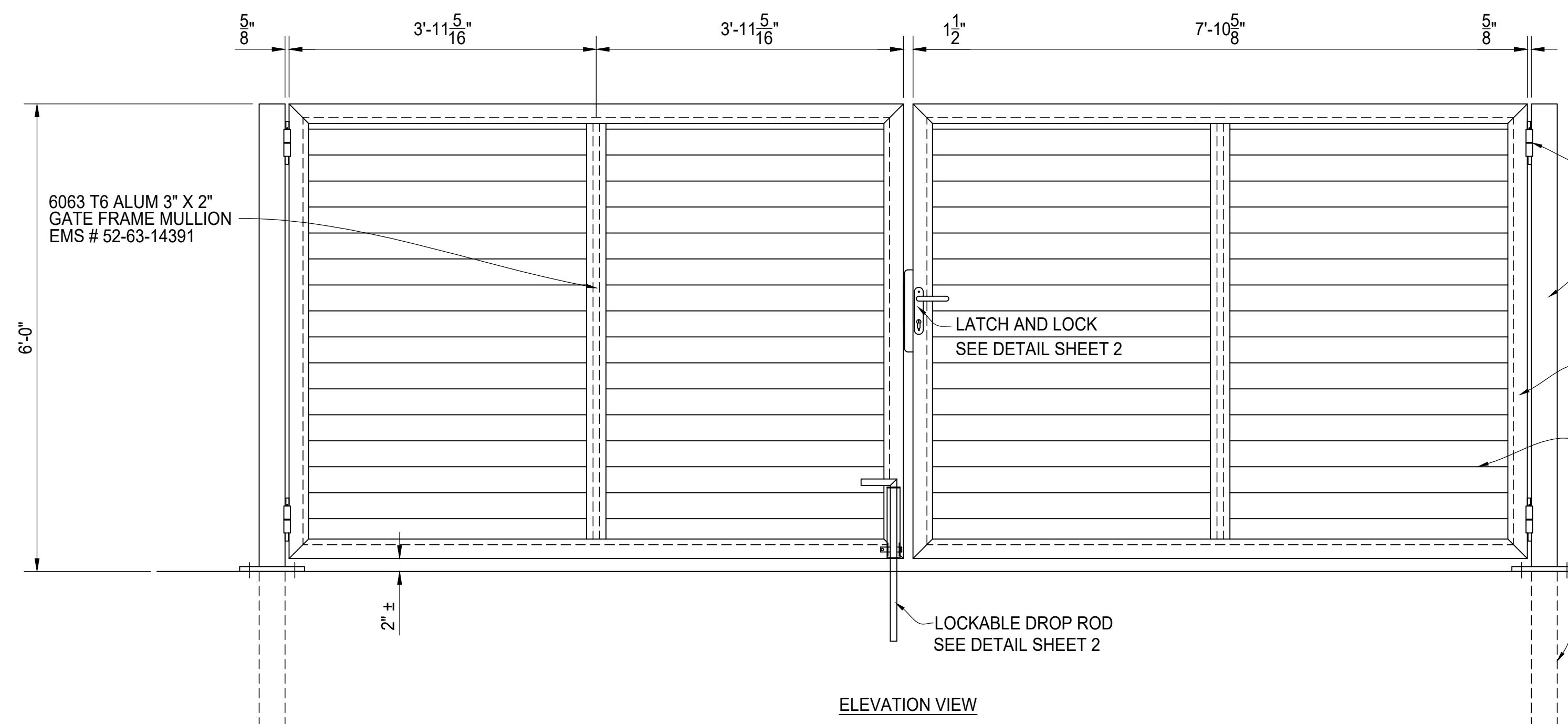
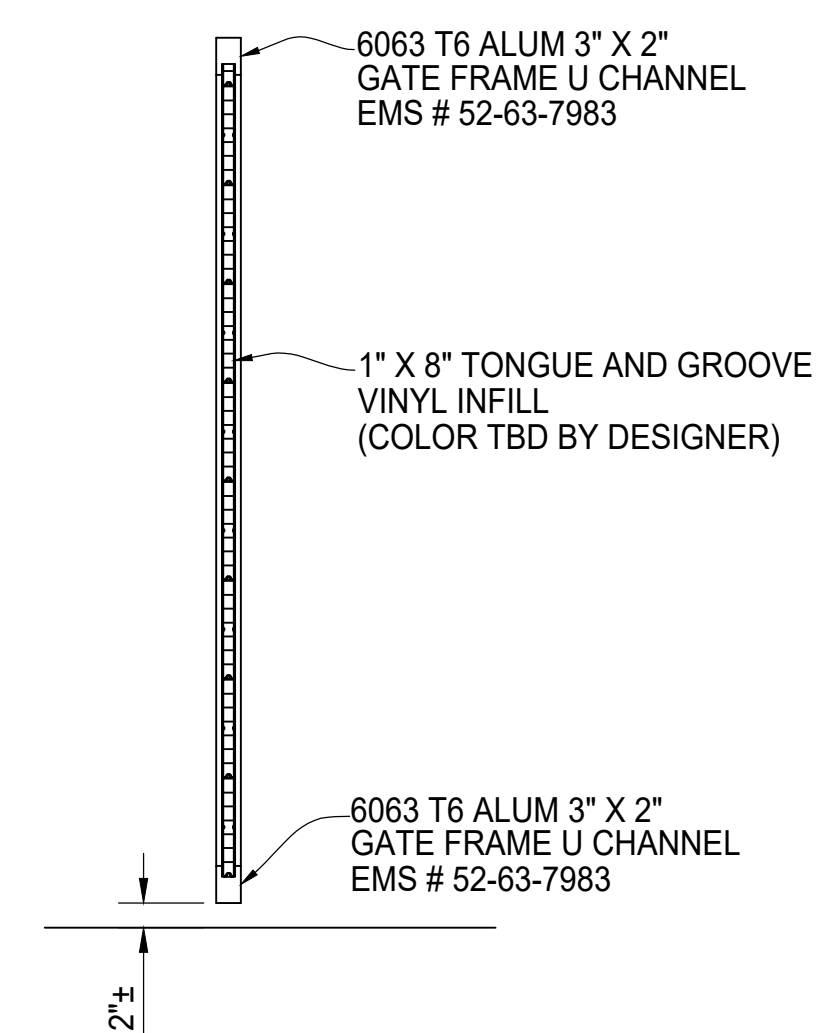


PLAN VIEW



ELEVATION VIEW

DOUBLE DRIVE GATE ASSEMBLY
SEE DETAIL SHEET 2 FOR HINGE, LATCH AND DROP ROD



SIDE VIEW

GATE SECTION



SAMPSON 6' TALL
VINYL PANEL INFILL
16' WIDE DOUBLE GATE
GATE ELEVATION