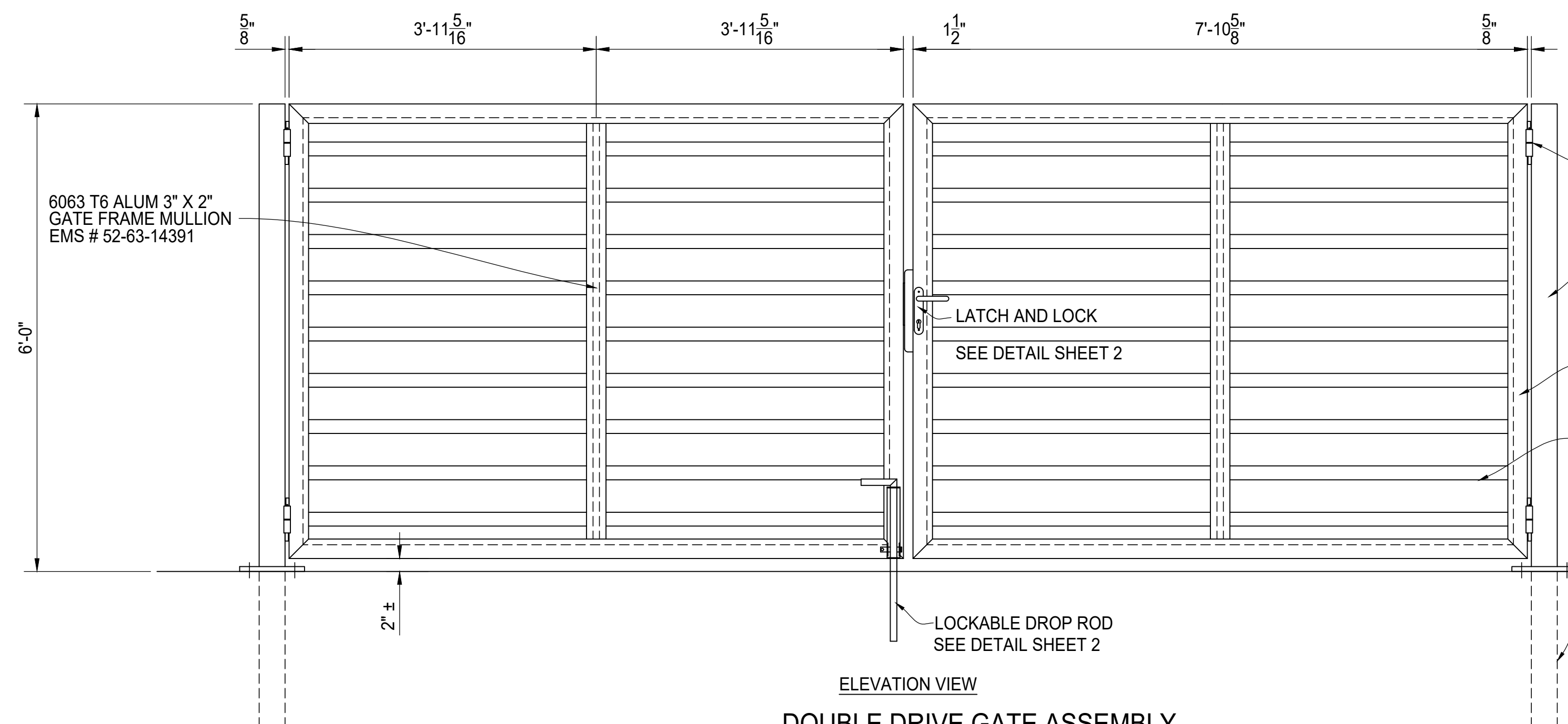
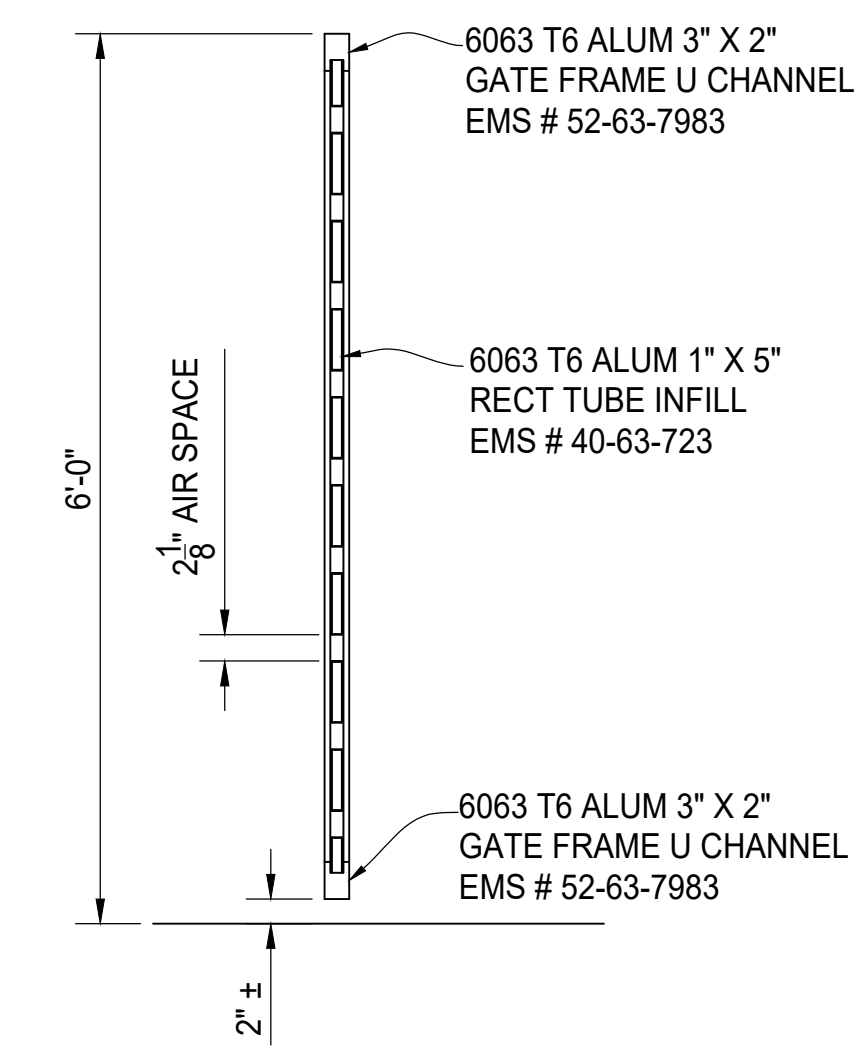


PLAN VIEW



ELEVATION VIEW  
DOUBLE DRIVE GATE ASSEMBLY  
SEE DETAIL SHEET 2 FOR HINGE, LATCH AND DROP ROD



SIDE VIEW  
GATE SECTION



SAMPSON 6' TALL  
SEMI ALUMINUM INFILL  
16' WIDE DOUBLE GATE  
GATE ELEVATION