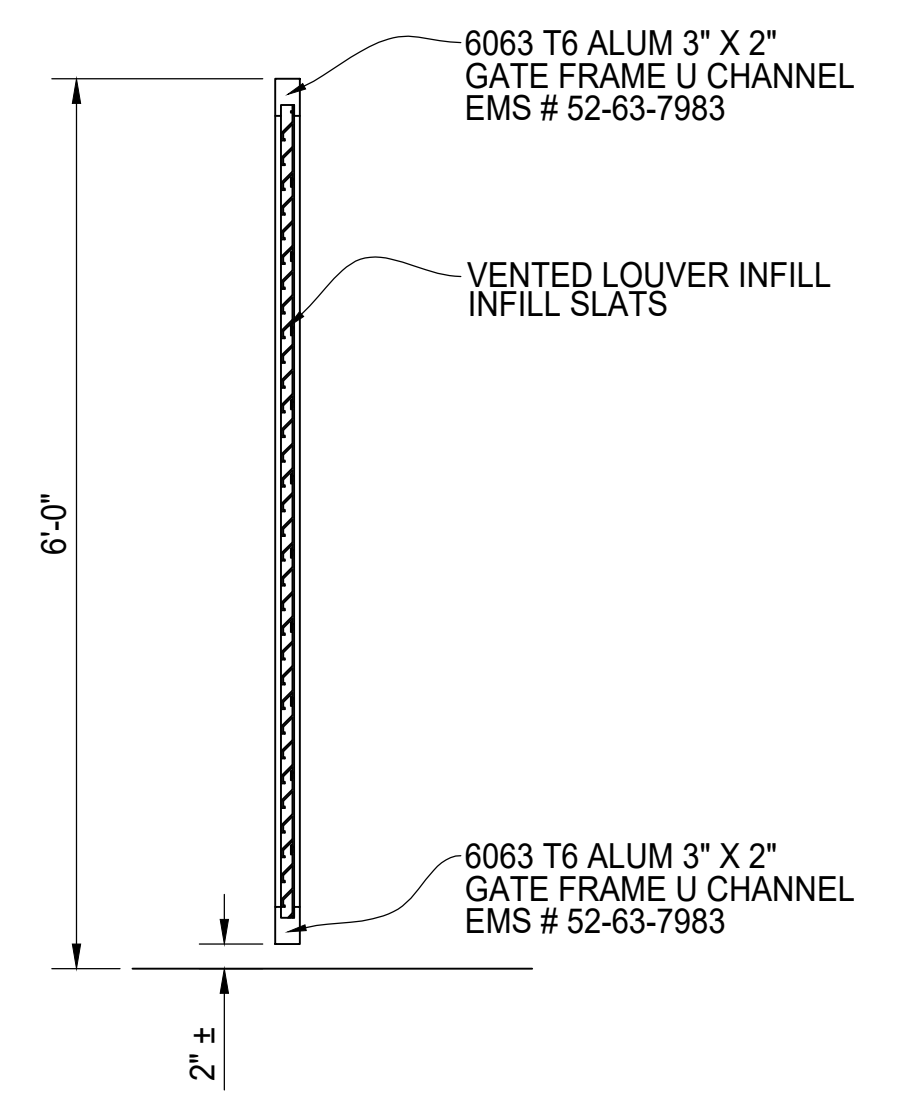


DOUBLE DRIVE GATE ASSEMBLY
SEE DETAIL SHEET 2 FOR HINGE, LATCH AND DROP ROD

NOTE:
POST CAN BE SET WITH EITHER A BASE PLATE OR EMBEDDED IN A FOOTING. IF USING A FOOTING, DEPTH AND DIAMETER TO BE DETERMINED BY END USER.



TYPICAL GATE SECTION



**SAMPSON 6' TALL
MINI-LOUVER INFILL
16' WIDE DOUBLE GATE
GATE ELEVATION**