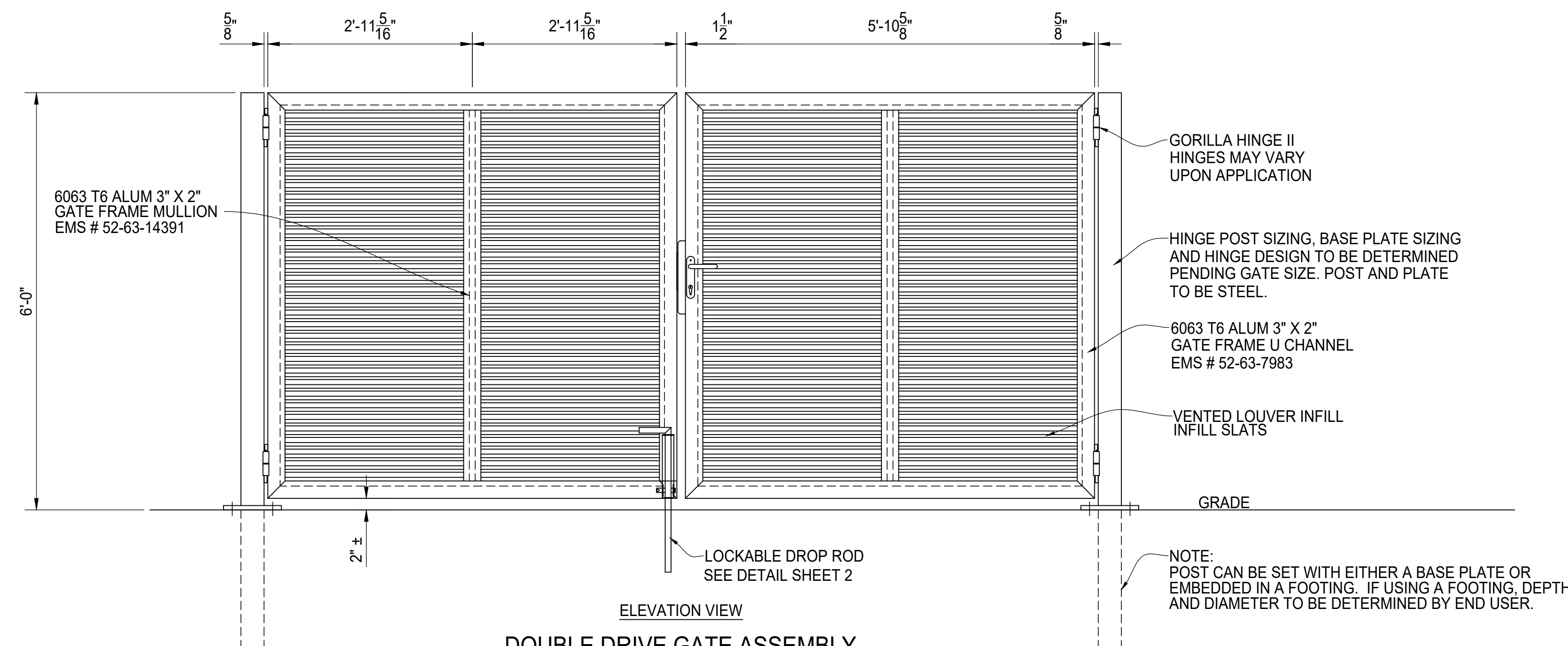
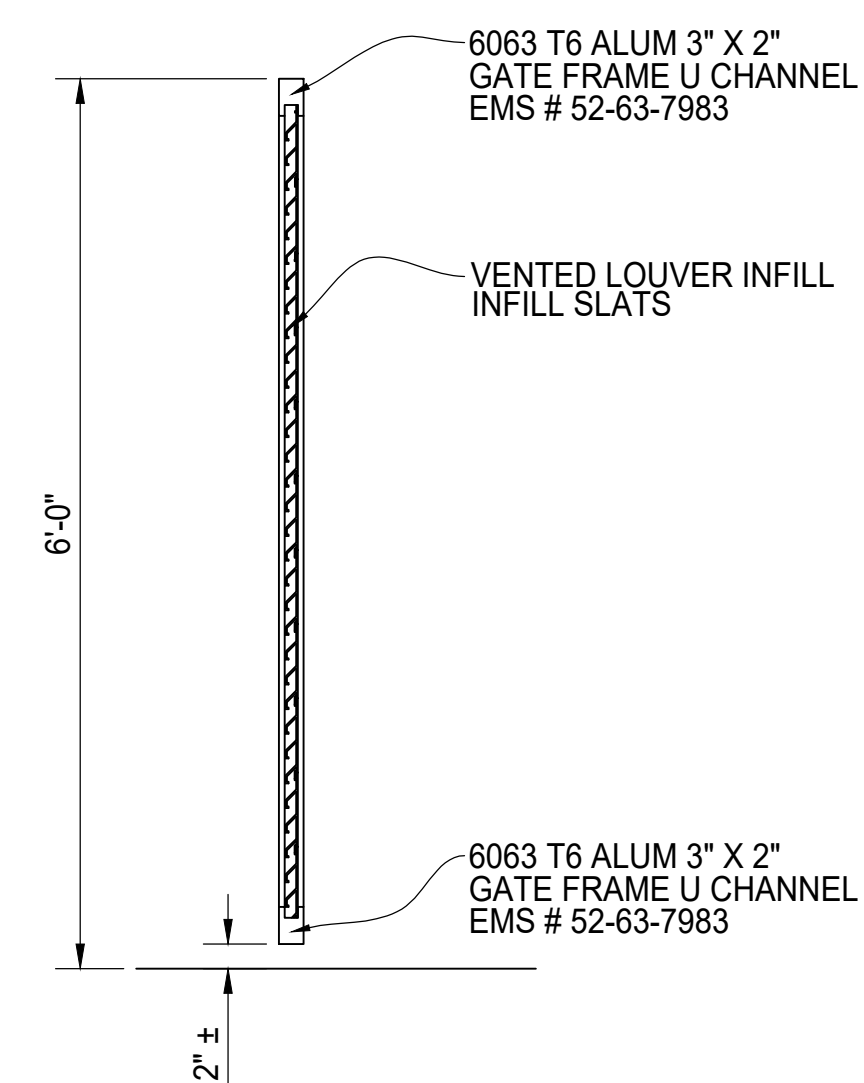


PLAN VIEW



ELEVATION VIEW
DOUBLE DRIVE GATE ASSEMBLY
SEE DETAIL SHEET 2 FOR HINGE, LATCH AND DROP ROD



TYPICAL GATE SECTION



SAMPSON 6' TALL
MINI-LOUVER INFILL
12' WIDE DOUBLE GATE
GATE ELEVATION