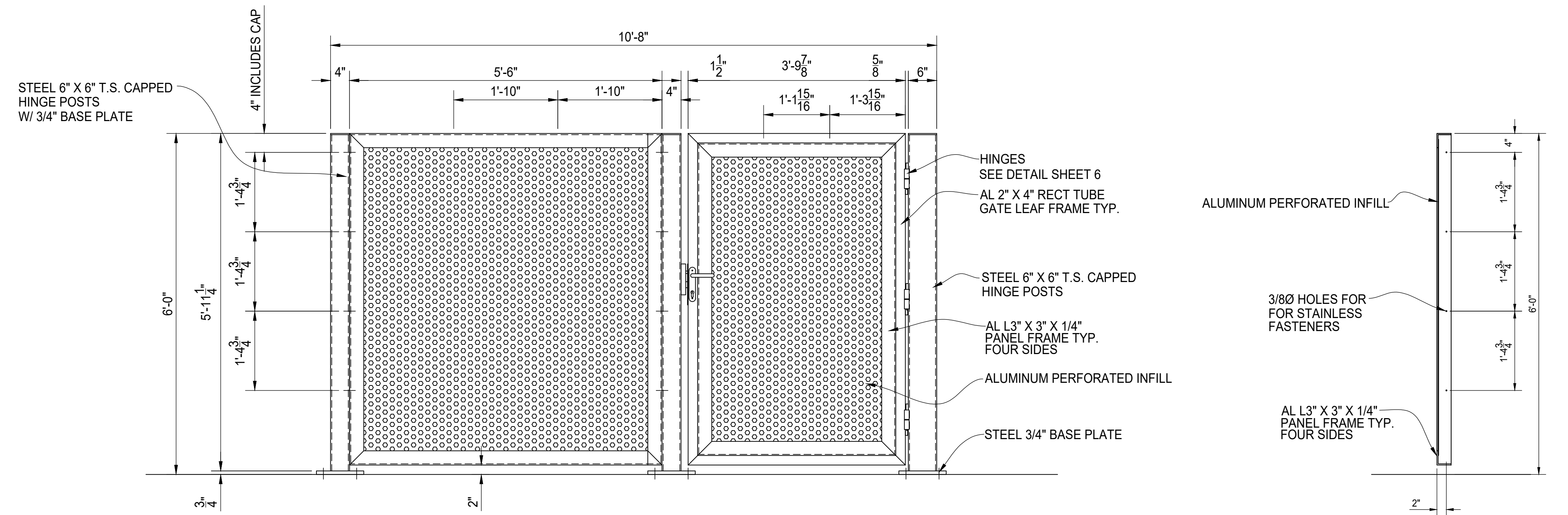


PLAN VIEW



A WALK IN GATE SIDE ELEVATION VIEW
SEE SHEET 06 FOR HINGE AND LATCH

TYPICAL PANEL SECTION



AUGUSTUS ALUMINUM PERFORATED
DUMPSTER ENCLOSURE
6' TALL WALK IN SINGLE BAY
SIDE ELEVATION

AMERICAN FENCE PROJECT # REFERENCE JOB #	CLIENT PROJECT #	SCALE: N.T.S.	DRAWN BY: AF	DATE: 02/09/2018	REV.	SHEET # 05
---	---------------------	---------------	--------------	------------------	------	------------