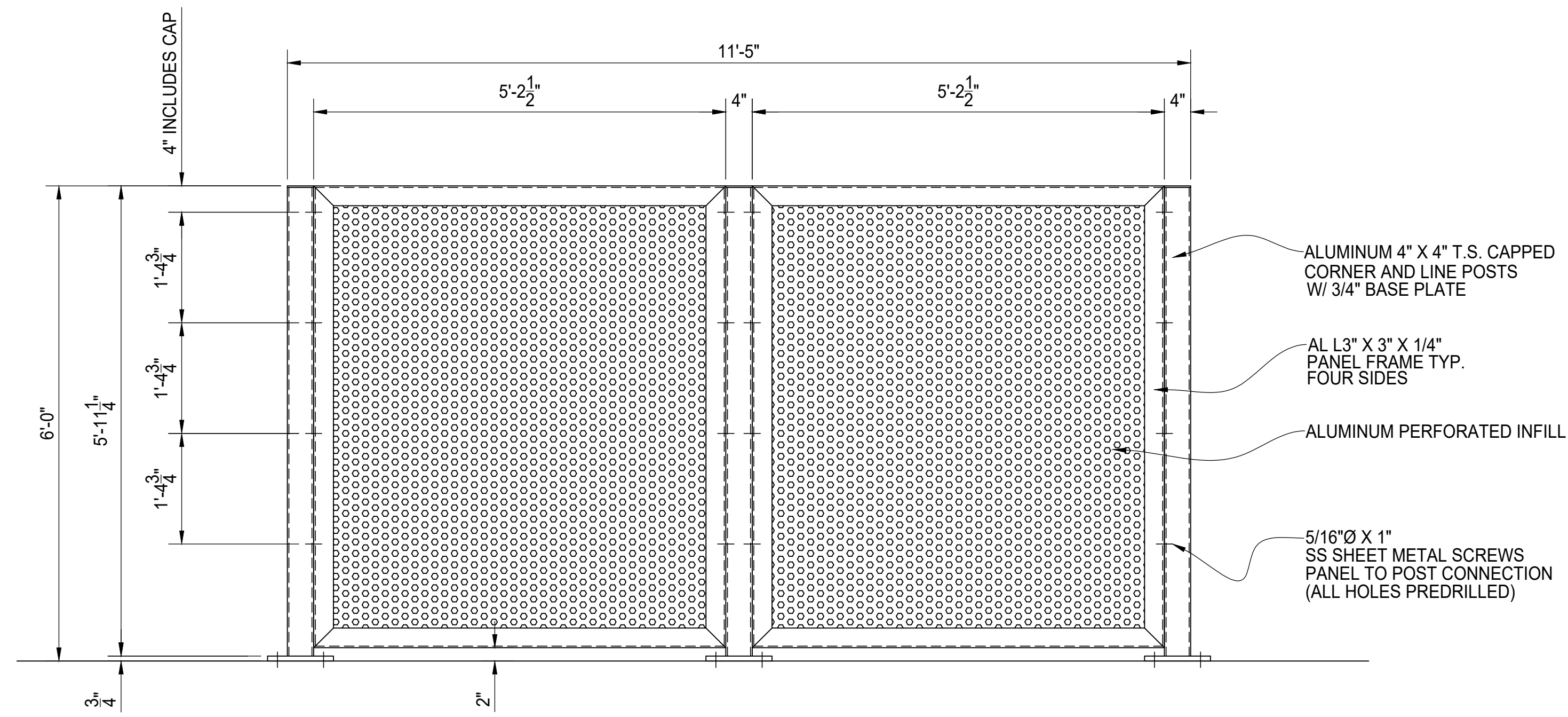
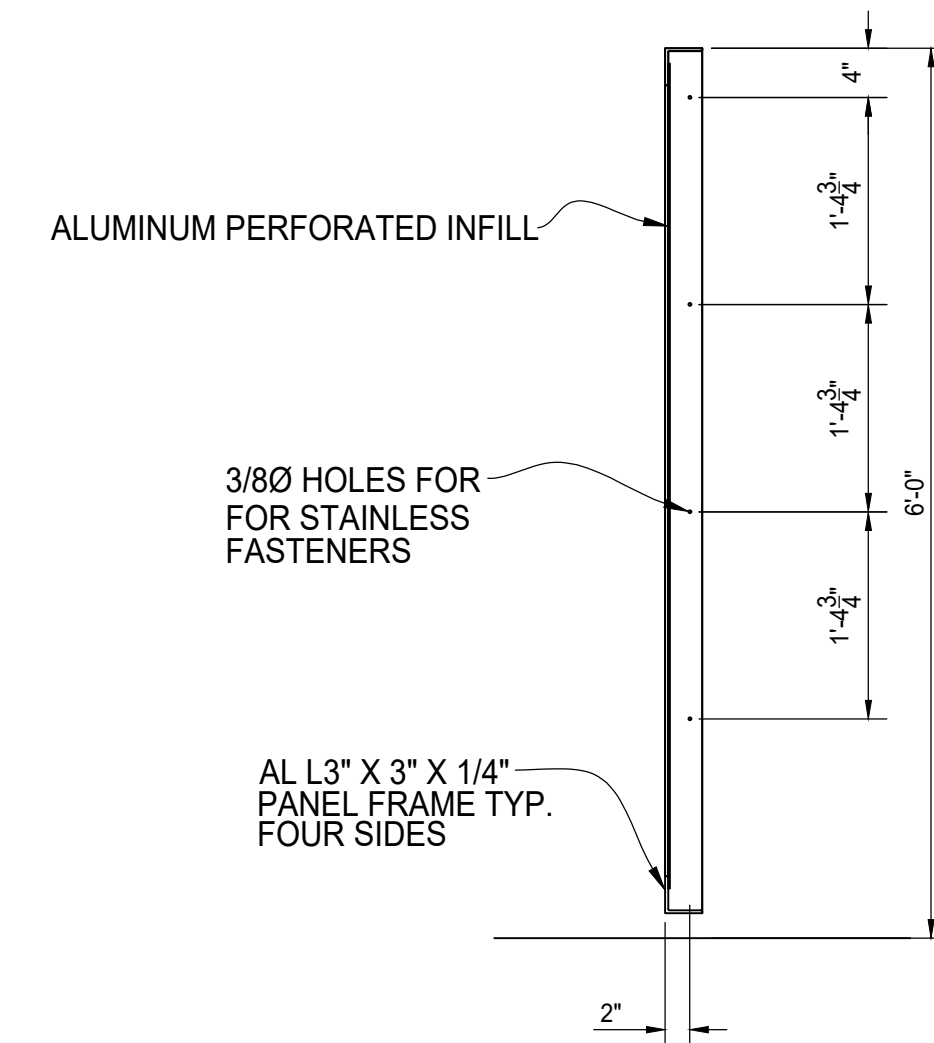


PLAN VIEW



A REAR ELEVATION VIEW



TYPICAL PANEL SECTION



AUGUSTUS ALUMINUM PERFORATED
 DUMPSTER ENCLOSURE
 6' TALL WALK IN SINGLE BAY
 REAR ELEVATION

AMERICAN FENCE	CLIENT
PROJECT #	PROJECT #
REFERENCE	
JOB #	
CHKD BY:	SCALE: N.T.S.
DRAWN BY: AF	DATE: 02/09/2018
REV	SHEET # 04