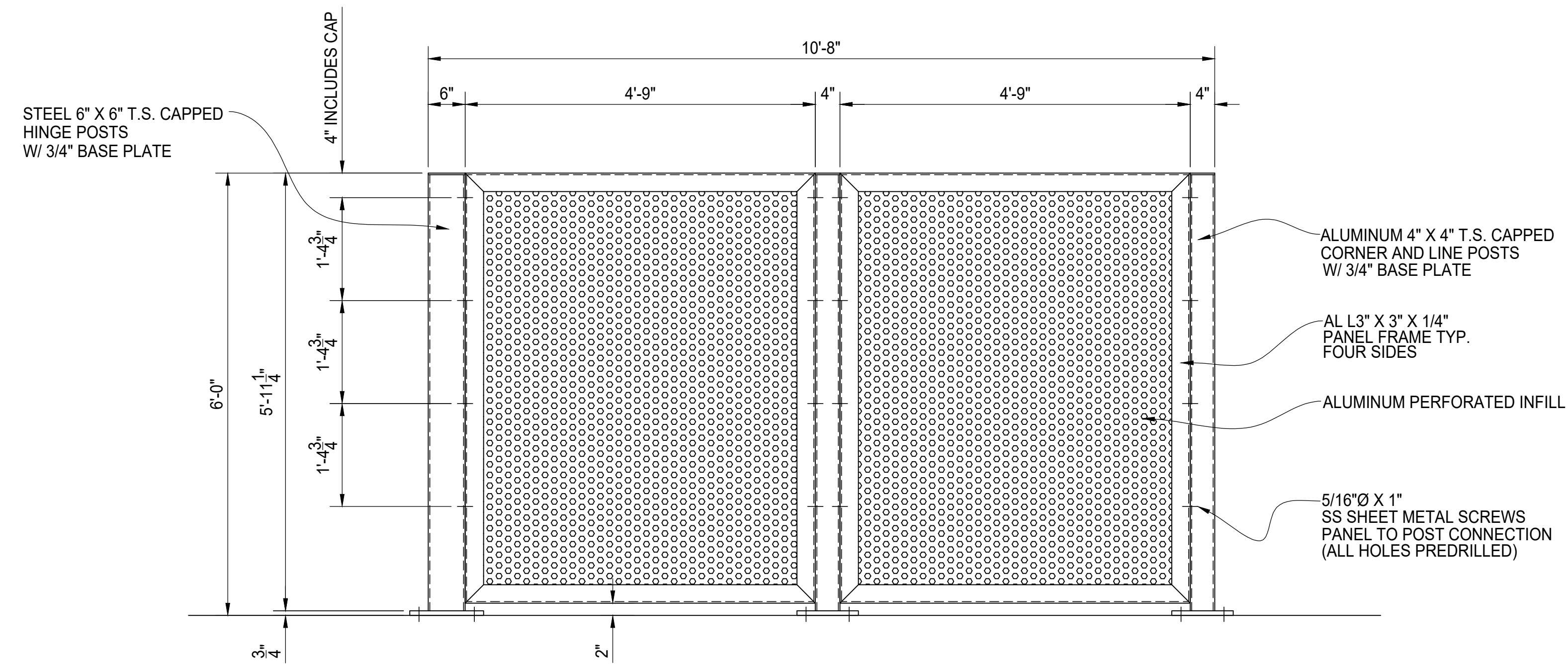
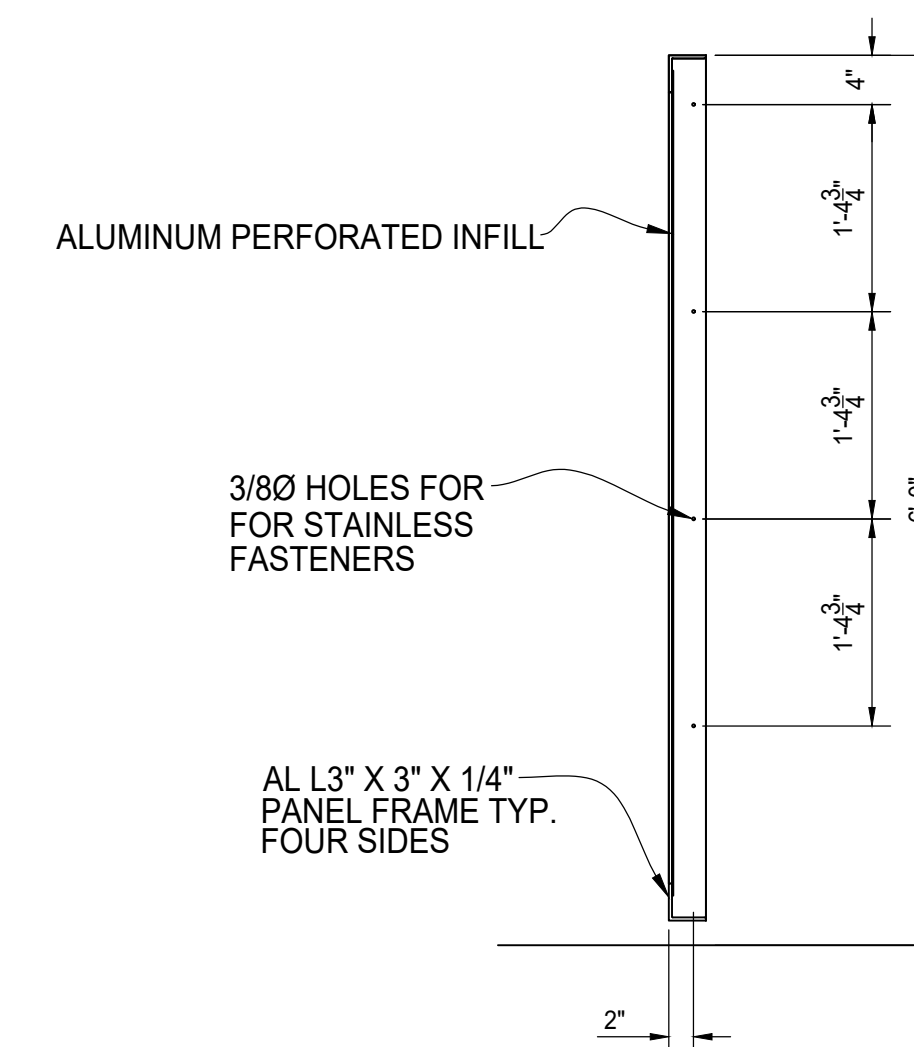


PLAN VIEW



A SIDE ELEVATION VIEW



TYPICAL PANEL SECTION



AUGUSTUS ALUMINUM PERFORATED DUMPSTER ENCLOSURE  
6' TALL WALK IN SINGLE BAY  
SIDE ELEVATION

AMERICAN FENCE PROJECT #	CLIENT PROJECT #
REFERENCE JOB #	
CHKD BY:	SCALE: N.T.S.
DRAWN BY: AF	DATE: 02/09/2018
REV:	SHEET # 03