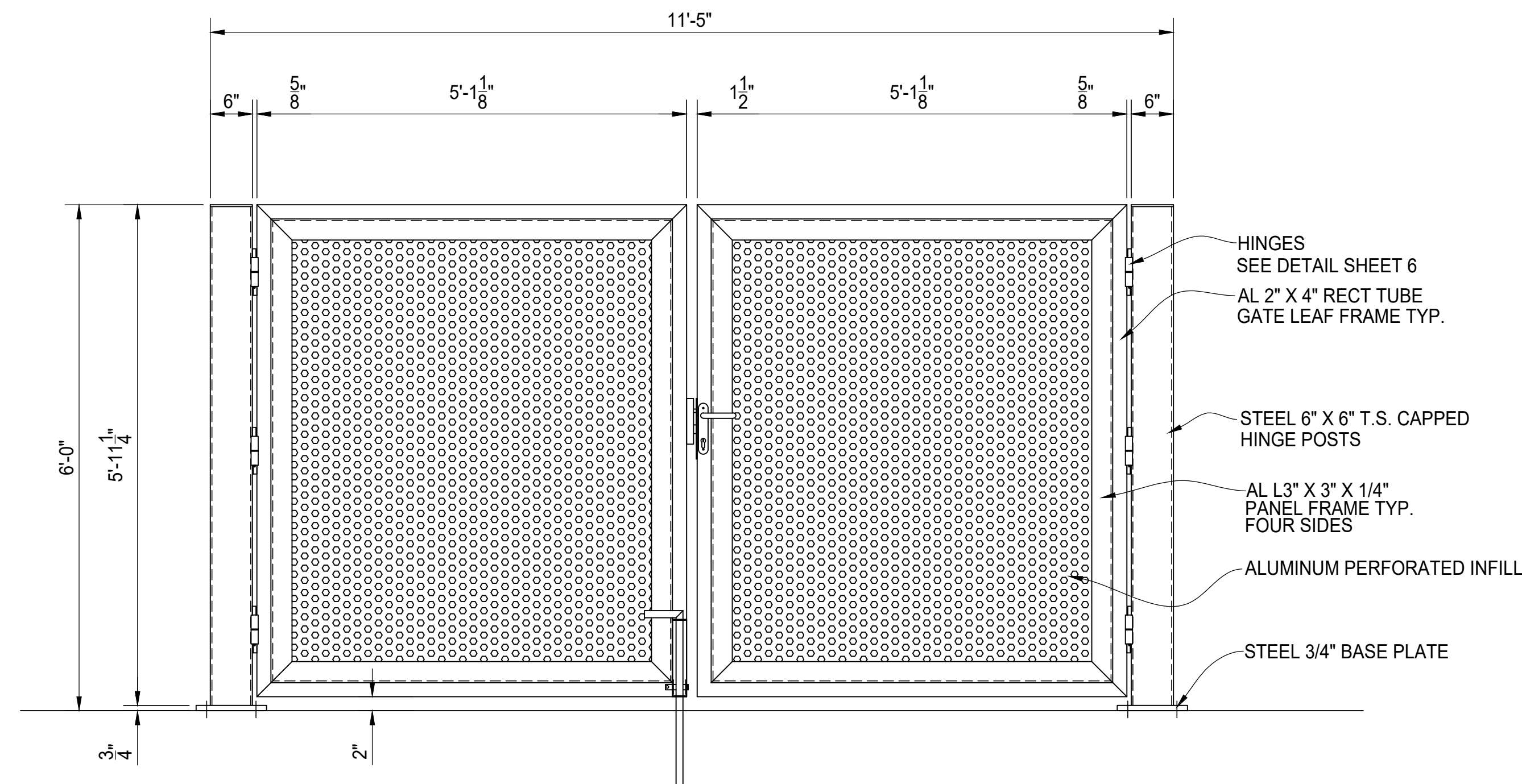
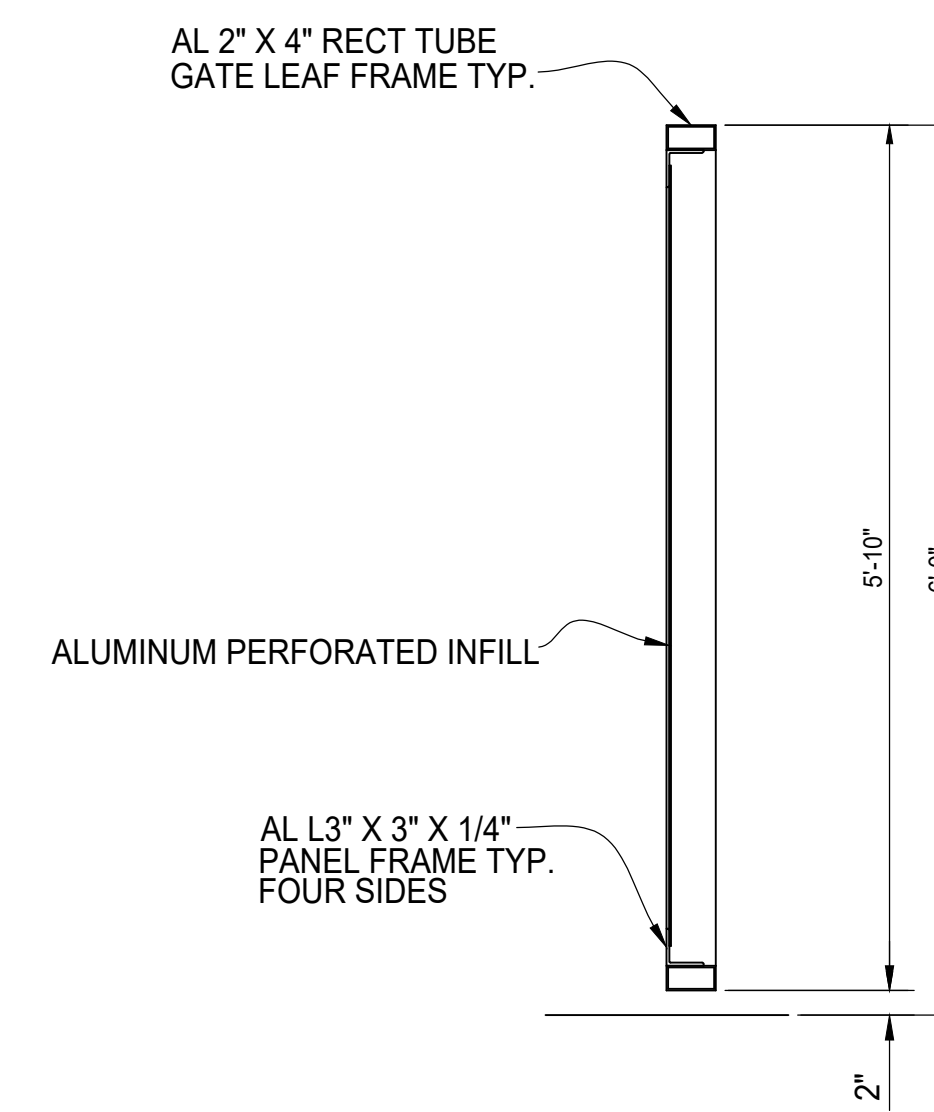


PLAN VIEW



A GATE ELEVATION VIEW
SEE SHEET 06 FOR HINGE, LATCH
AND DROP ROD DETAILS



TYPICAL GATE SECTION



AUGUSTUS ALUMINUM PERFORATED
DUMPSTER ENCLOSURE
6' TALL WALK IN SINGLE BAY
GATE ELEVATION

AMERICAN FENCE	CLIENT
PROJECT #	PROJECT #
REFERENCE	
JOB #	
CHKD BY:	SCALE: N.T.S.
DRAWN BY: AF	DATE: 02/09/2018
REV.	SHEET # 02