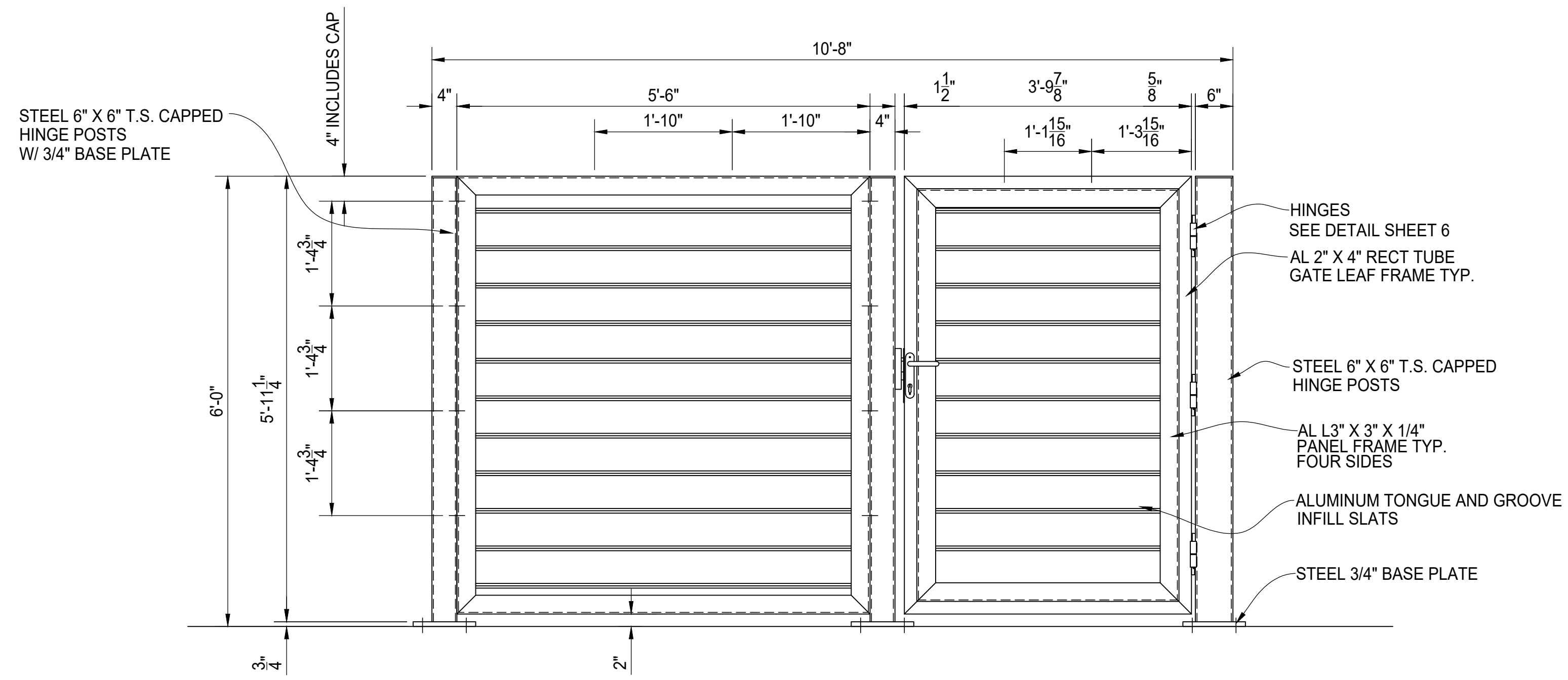
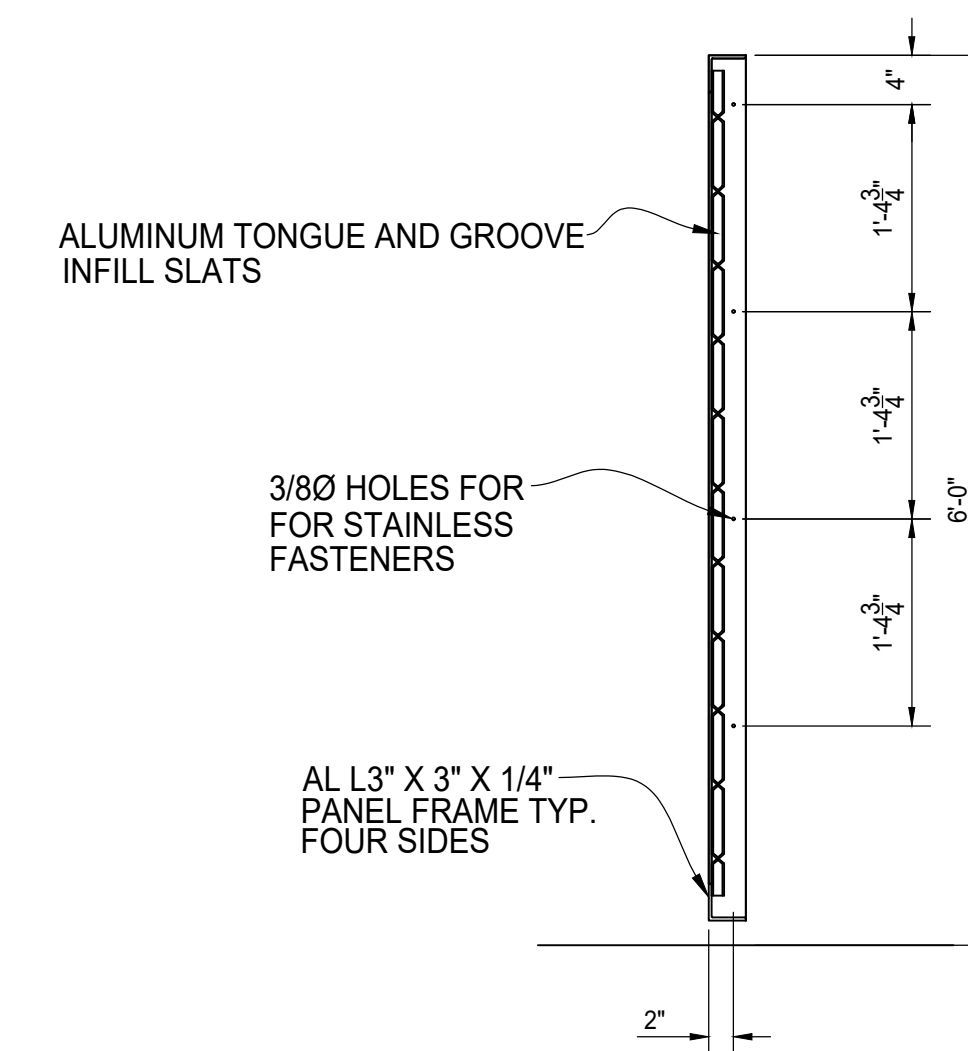


PLAN VIEW



A WALK IN GATE SIDE ELEVATION VIEW
SEE SHEET 06 FOR HINGE AND LATCH



TYPICAL PANEL SECTION



PalmSHIELD

AUGUSTUS ALUMINUM
DUMPSTER ENCLOSURE
6' TALL WALK IN SINGLE BAY
SIDE ELEVATION

AMERICAN FENCE	CLIENT
PROJECT #	PROJECT #
REFERENCE	
JOB #	
CHKD BY:	SCALE: N.T.S.
DRAWN BY: AF	DATE: 02/09/2018
REV:	SHEET # 05