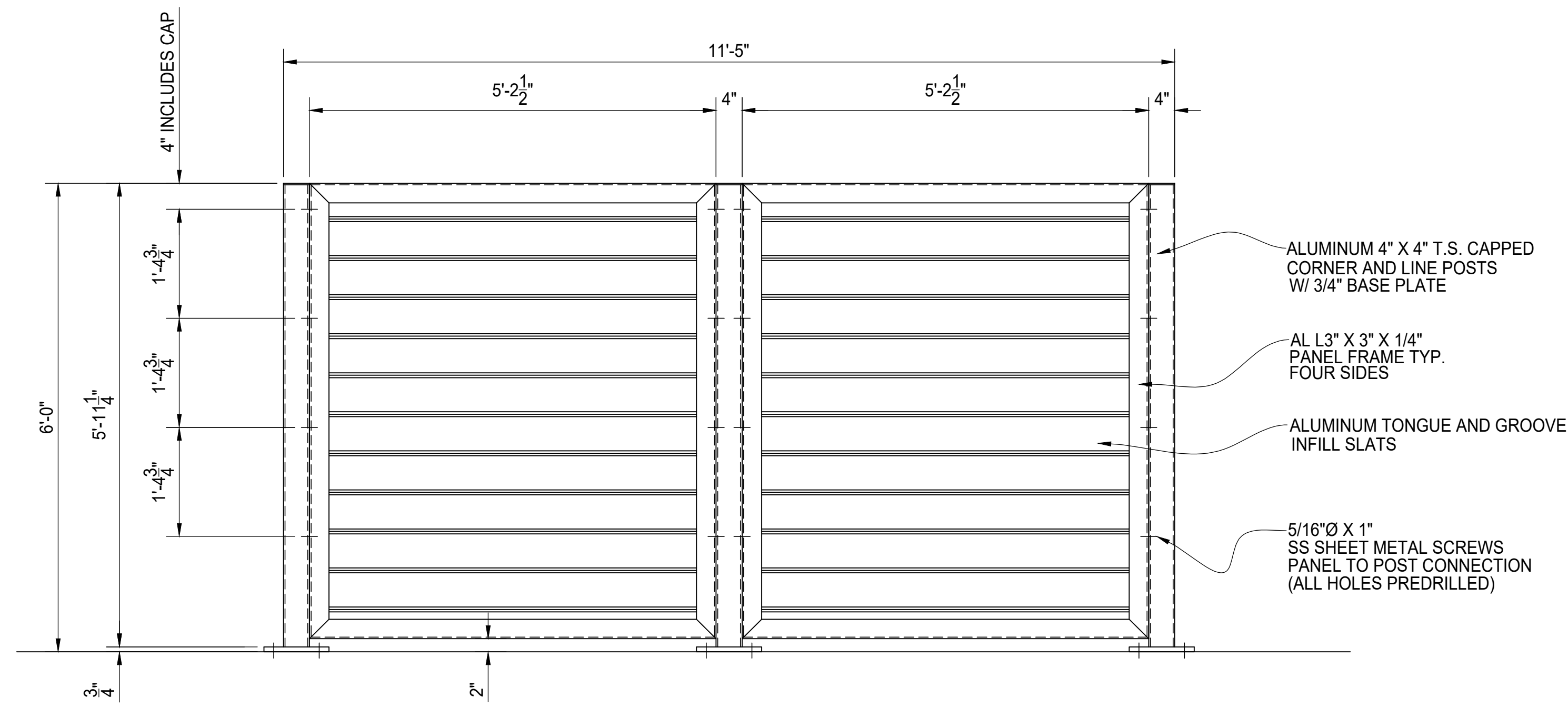
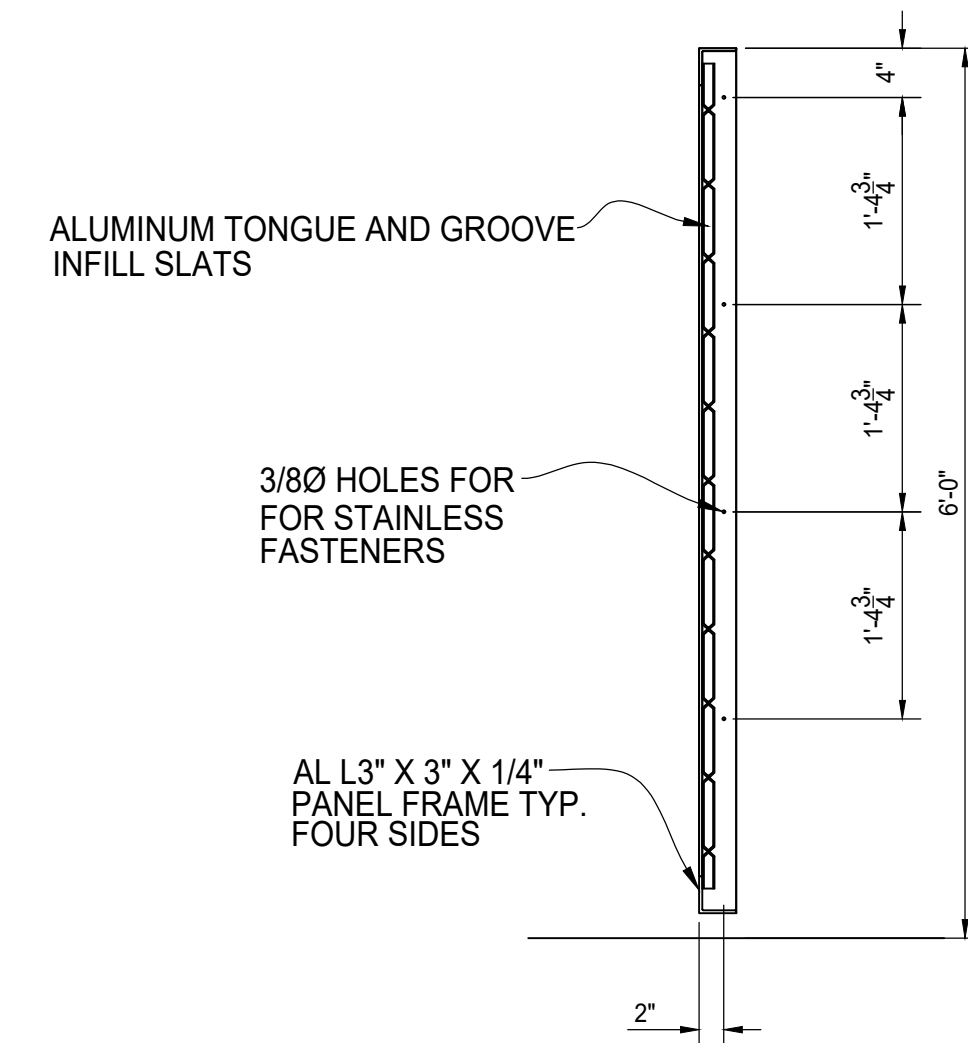


PLAN VIEW



A REAR ELEVATION VIEW



TYPICAL PANEL SECTION



AUGUSTUS ALUMINUM
DUMPSTER ENCLOSURE
6' TALL WALK IN SINGLE BAY
REAR ELEVATION