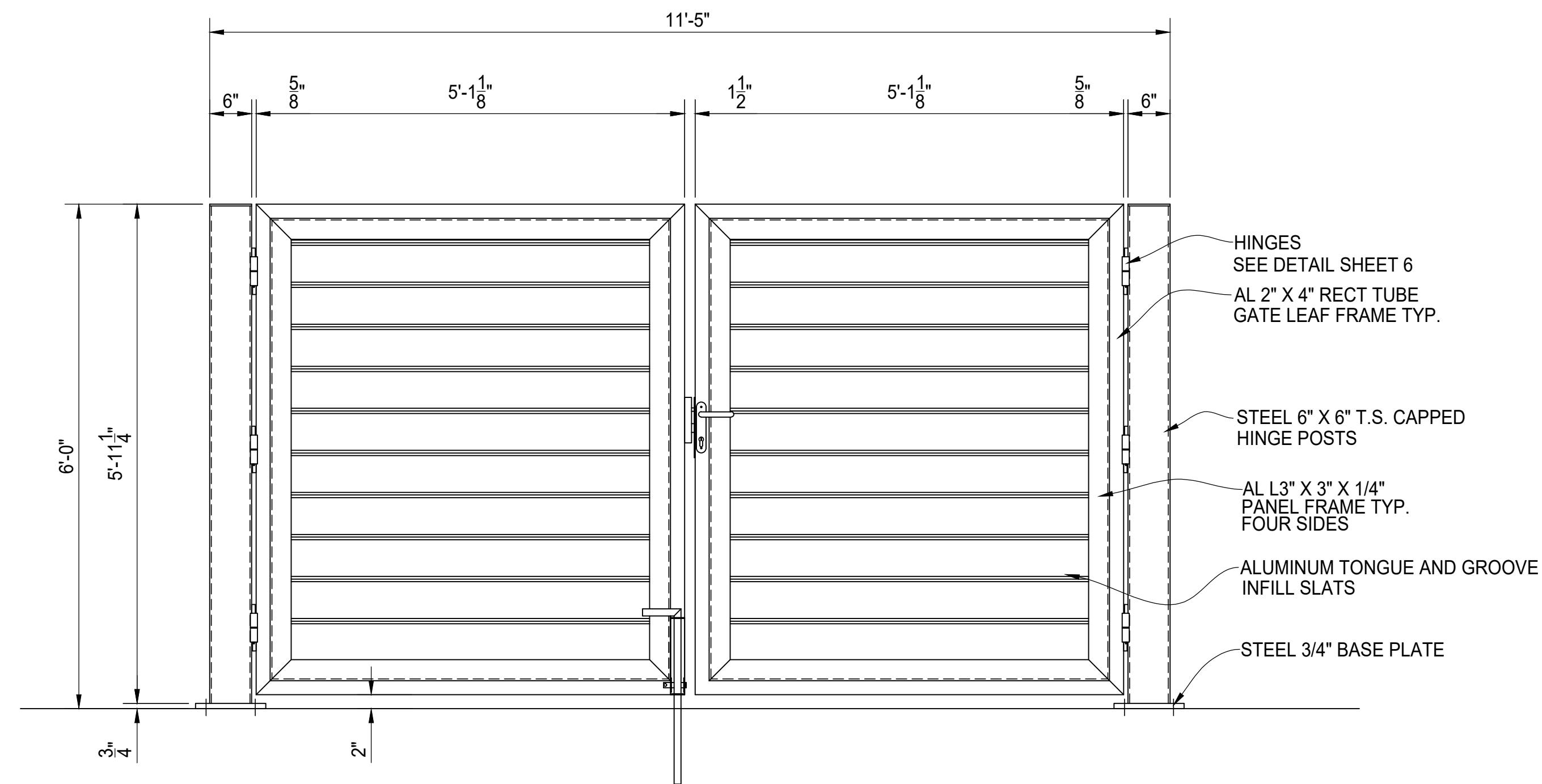
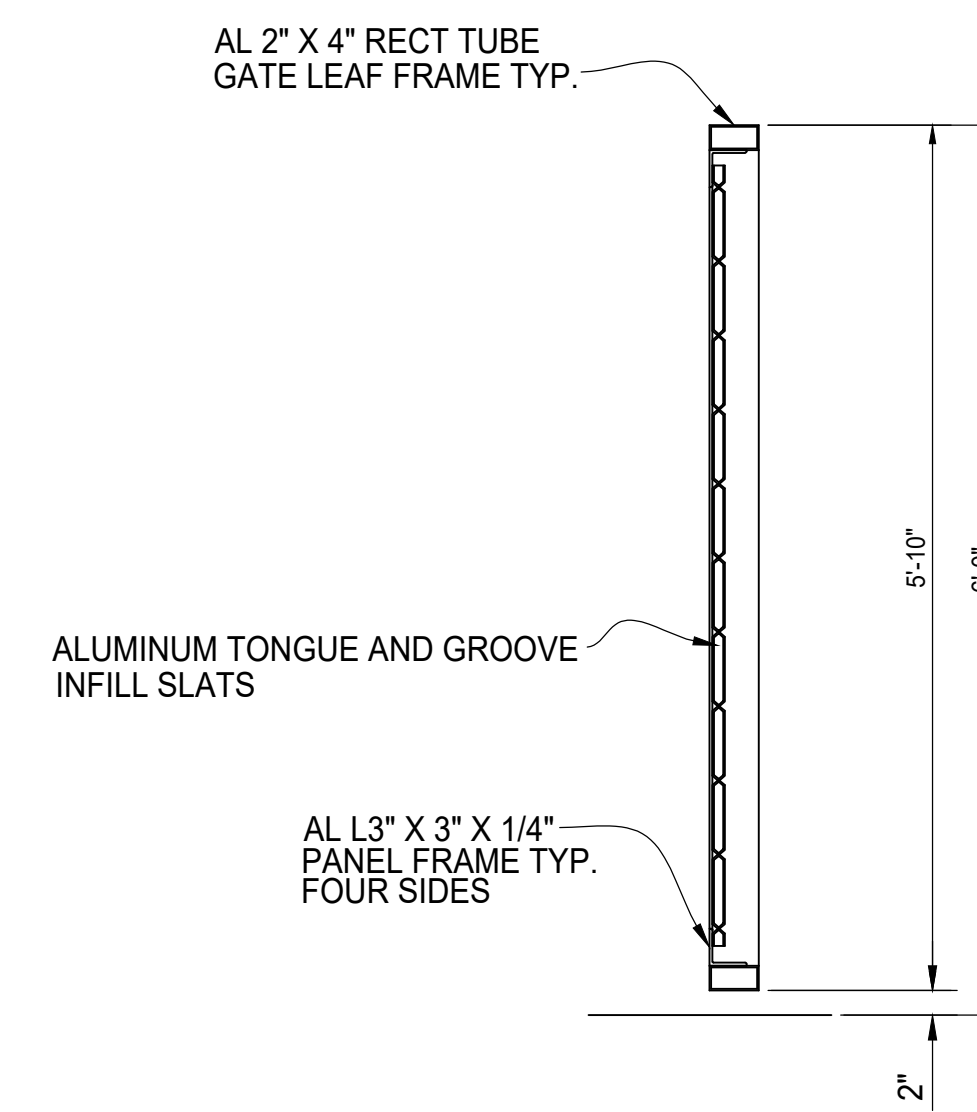


PLAN VIEW



A GATE ELEVATION VIEW
SEE SHEET 06 FOR HINGE, LATCH AND DROP ROD DETAILS



TYPICAL GATE SECTION



AUGUSTUS ALUMINUM
DUMPSTER ENCLOSURE
6' TALL WALK IN SINGLE BAY
GATE ELEVATION

AMERICAN FENCE PROJECT #	CLIENT PROJECT #
REFERENCE JOB #	
CHKD BY:	SCALE: N.T.S. DRAWN BY: AF DATE: 02/09/2018 REV: SHEET # 02