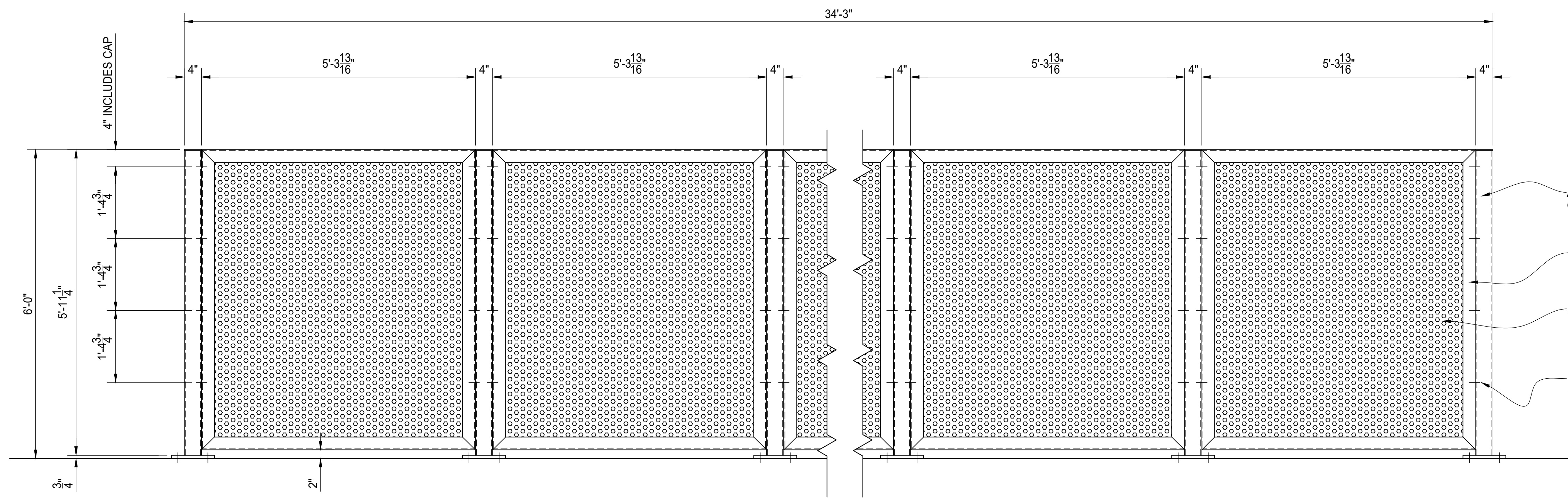
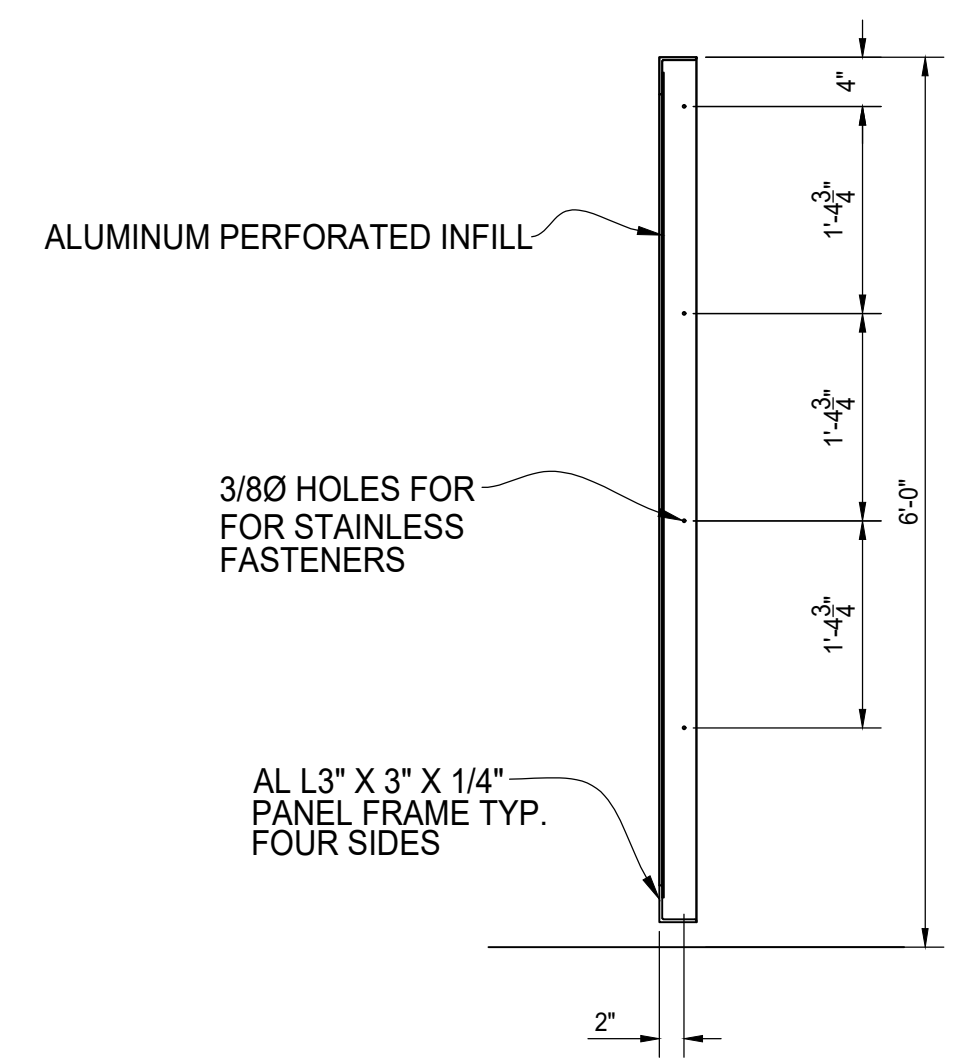


PLAN VIEW



A REAR ELEVATION VIEW

- ALUMINUM 4" X 4" T.S. CAPPED CORNER AND LINE POSTS W/ 3/4" BASE PLATE
- AL L3" X 3" X 1/4" PANEL FRAME TYP. FOUR SIDES
- ALUMINUM PERFORATED INFILL
- 5/16"Ø X 1" SS SHEET METAL SCREWS PANEL TO POST CONNECTION (ALL HOLES PREDRILLED)



TYPICAL PANEL SECTION



AUGUSTUS ALUMINUM PERFORATED
DUMPSTER ENCLOSURE
6' TALL STANDARD TRIPLE BAY
REAR ELEVATION

| | |
|--------------------------|-------------------------------|
| AMERICAN FENCE PROJECT # | CLIENT PROJECT # |
| REFERENCE JOB # | DRAWN BY: AF DATE: 02/09/2018 |
| CHKD BY: | SCALE: N.T.S. REV: SHEET # 04 |