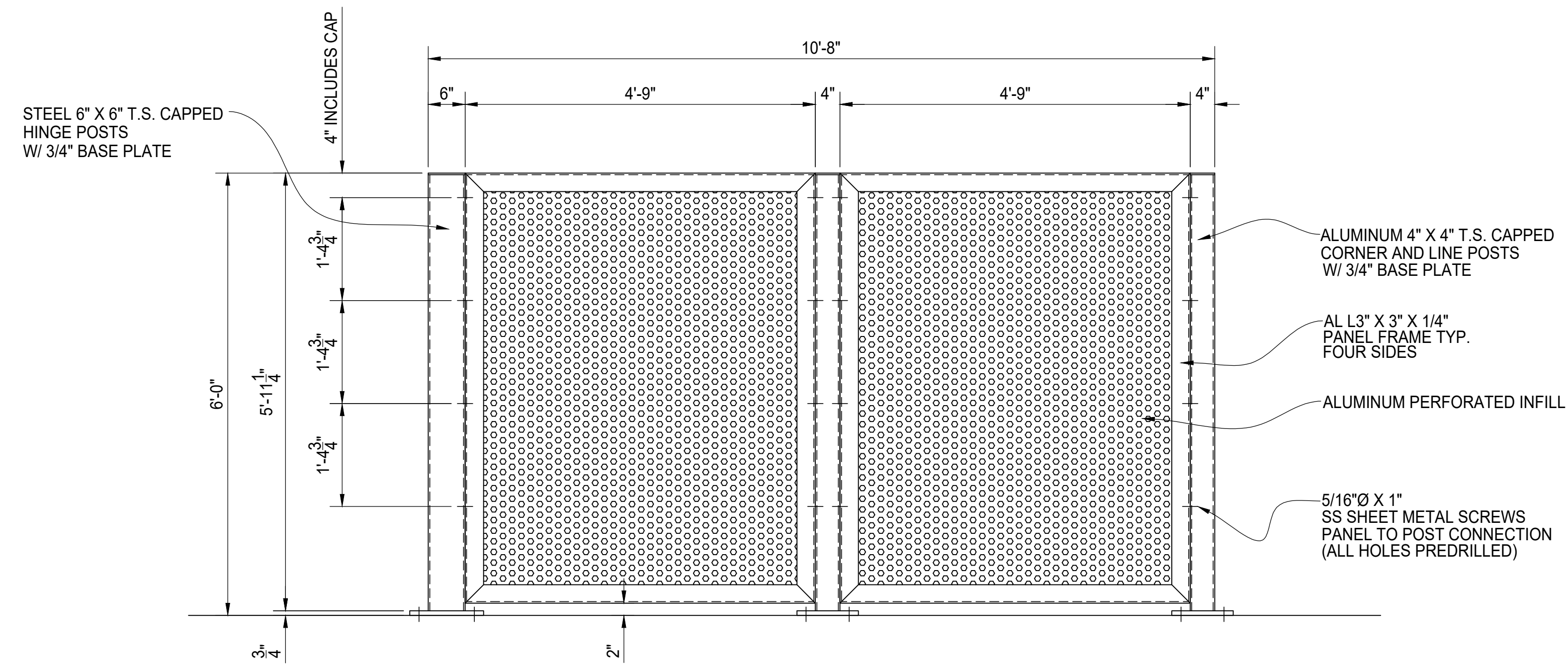
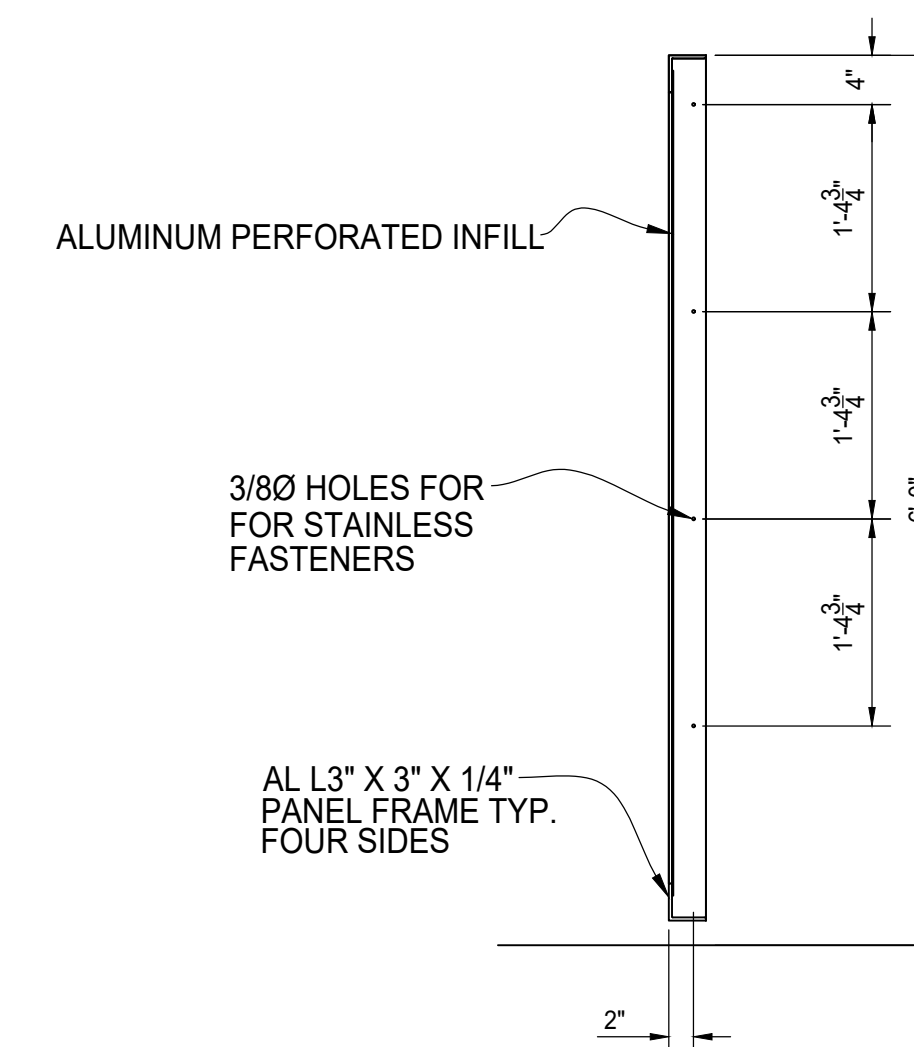


PLAN VIEW



(A) SIDE ELEVATION VIEW



TYPICAL PANEL SECTION



**AUGUSTUS ALUMINUM PERFORATED
DUMPSTER ENCLOSURE
6' TALL STANDARD TRIPLE BAY
SIDE ELEVATION**

AMERICAN FENCE PROJECT #	CLIENT PROJECT #
REFERENCE JOB #	
CHKD BY:	SCALE: N.T.S. DRAWN BY: AF DATE: 02/09/2018 REV: SHEET # 03