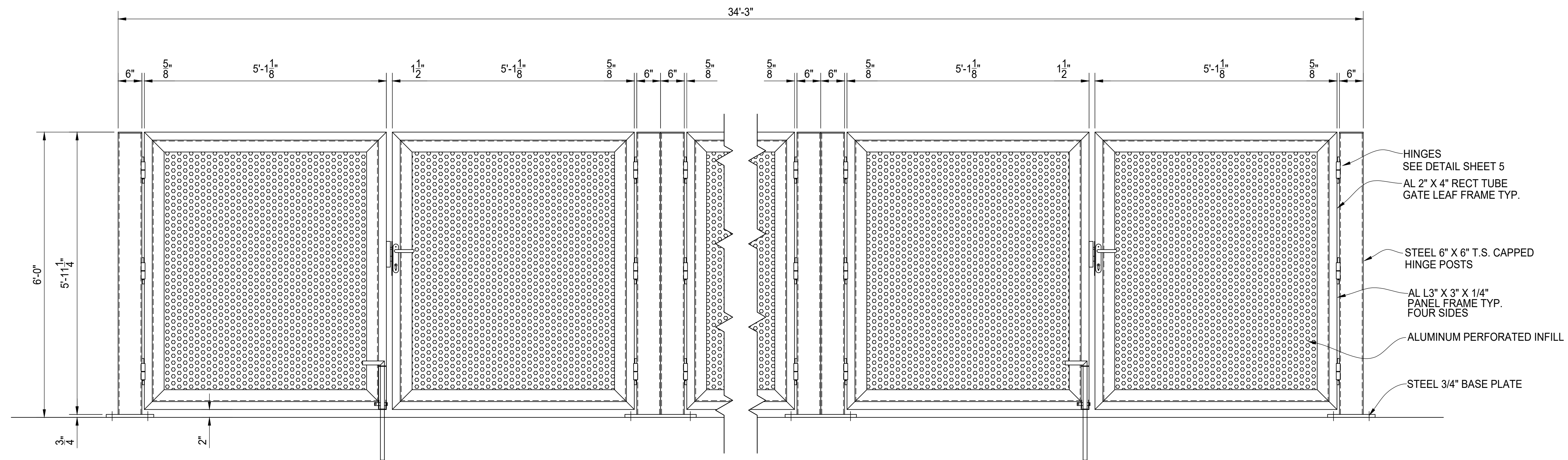
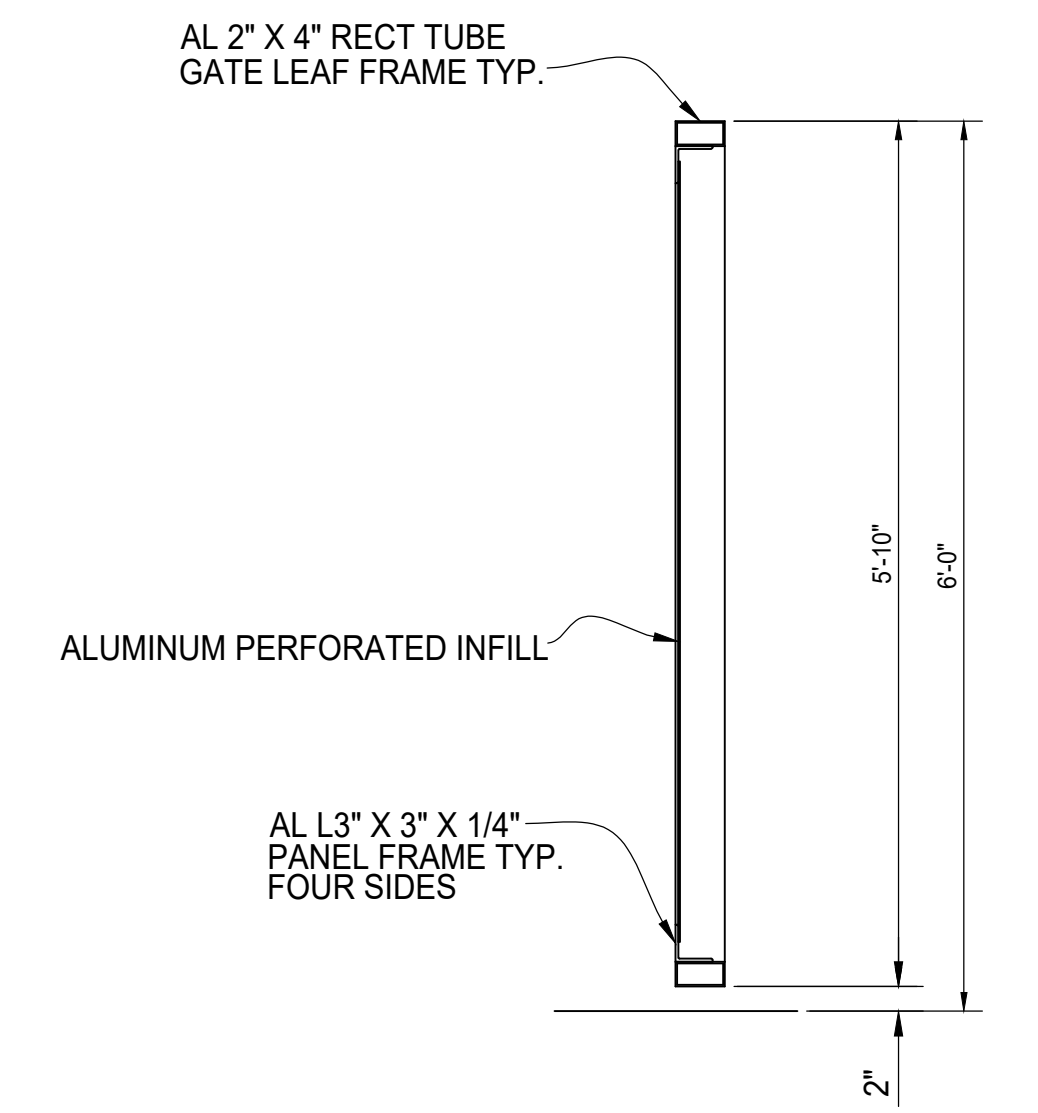


PLAN VIEW



A GATE ELEVATION VIEW
SEE SHEET 05 FOR HINGE, LATCH AND DROP ROD DETAILS



TYPICAL GATE SECTION



AUGUSTUS ALUMINUM PERFORATED DUMPSTER ENCLOSURE
6' TALL STANDARD TRIPLE BAY GATE ELEVATION

AMERICAN FENCE PROJECT #	CLIENT PROJECT #
REFERENCE JOB #	
CHKD BY:	SCALE: N.T.S.
DRAWN BY: AF	DATE: 02/09/2018
REV:	SHEET # 02