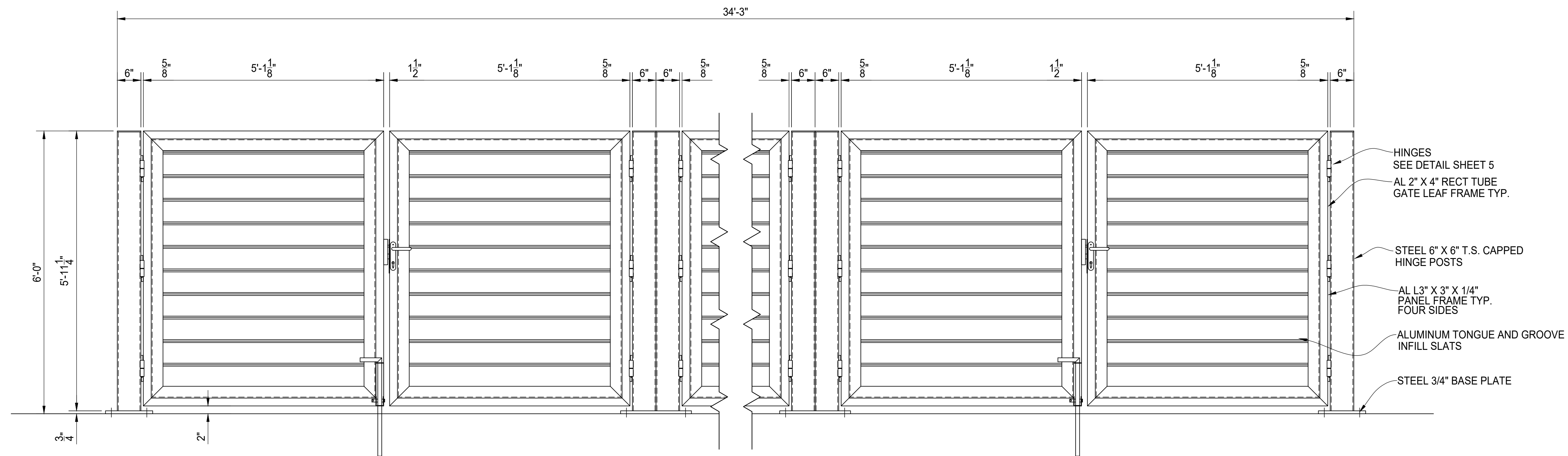
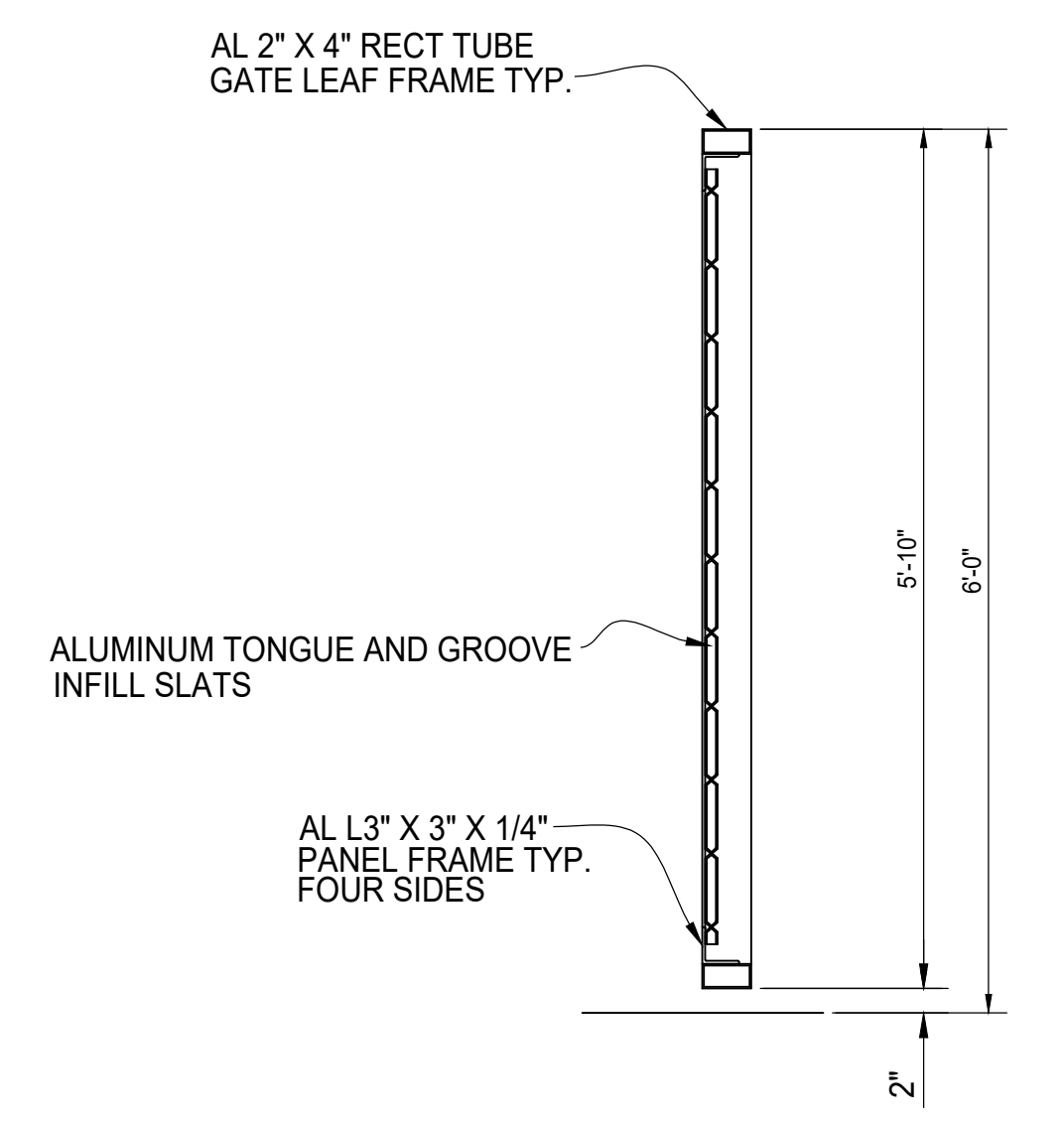


PLAN VIEW



A GATE ELEVATION VIEW
SEE SHEET 05 FOR HINGE, LATCH
AND DROP ROD DETAILS



TYPICAL GATE SECTION



AUGUSTUS ALUMINUM
DUMPSTER ENCLOSURE
6' TALL STANDARD TRIPLE BAY
GATE ELEVATION

AMERICAN FENCE PROJECT #	CLIENT PROJECT #
REFERENCE JOB #	
CHKD BY:	SCALE: N.T.S. DRAWN: AF DATE: 02/09/2018 REV: SHEET # 02