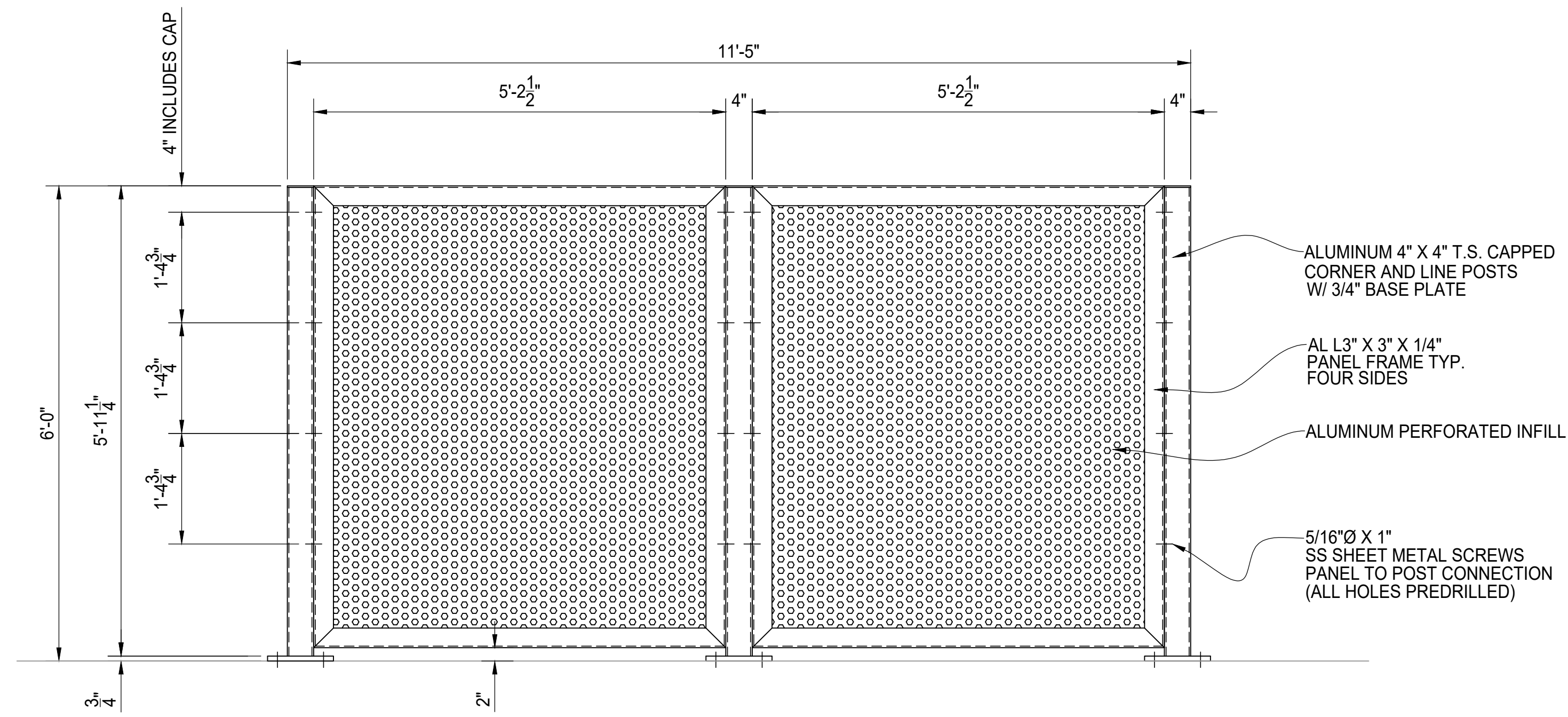
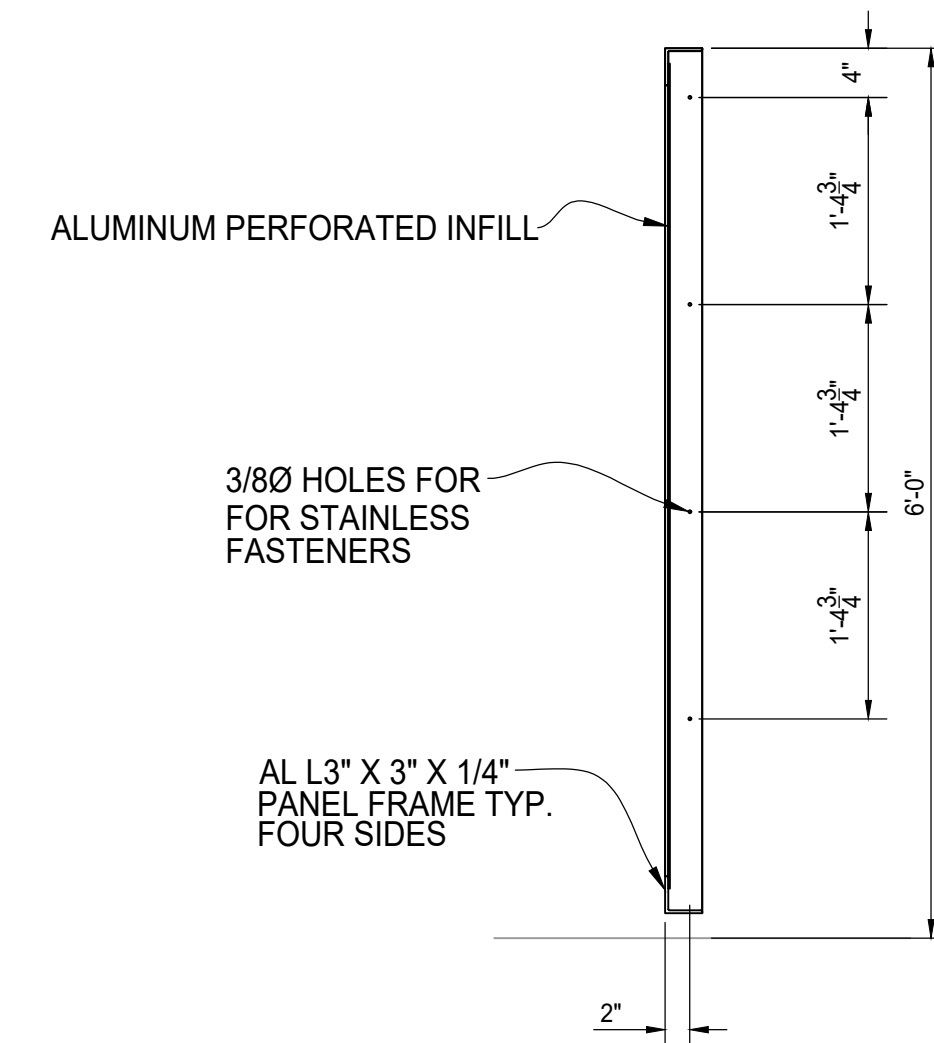


PLAN VIEW



A REAR ELEVATION VIEW



TYPICAL PANEL SECTION



**AUGUSTUS ALUMINUM PERFORATED  
DUMPSTER ENCLOSURE  
6' TALL STANDARD SINGLE BAY  
REAR ELEVATION**

AMERICAN FENCE	CLIENT
PROJECT #	PROJECT #
REFERENCE	
JOB #	
CHKD BY:	SCALE: N.T.S.
DRAWN BY: AF	DATE: 02/09/2018
REV	SHEET # 04