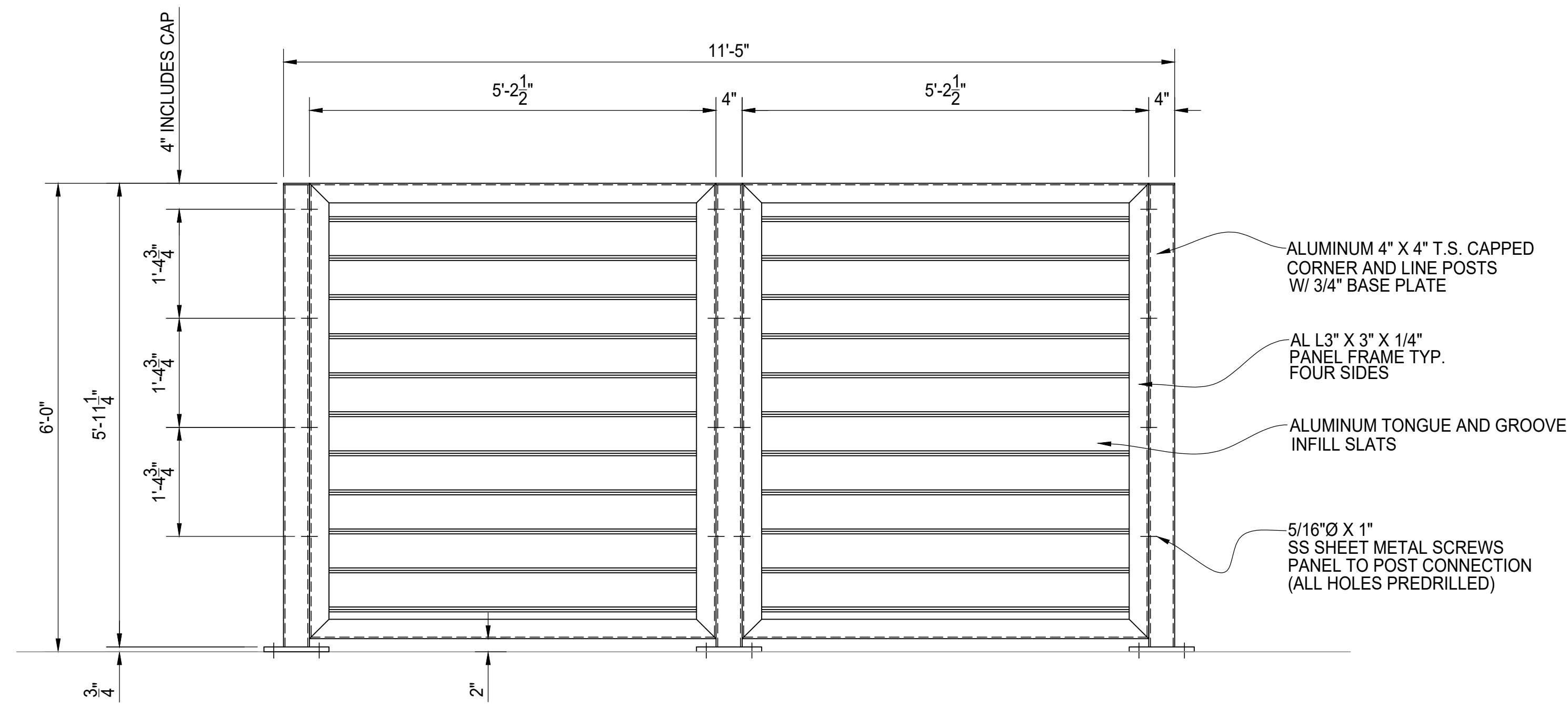
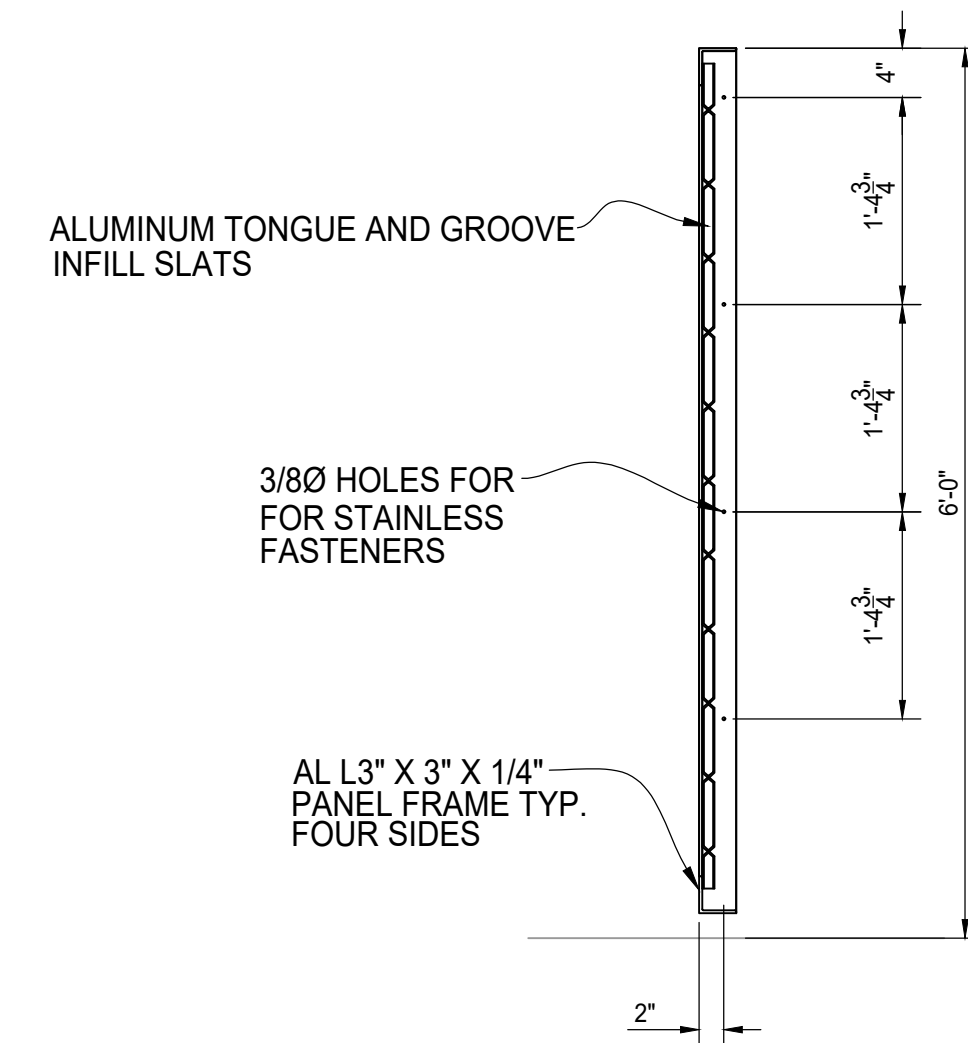


PLAN VIEW



A REAR ELEVATION VIEW



TYPICAL PANEL SECTION



AUGUSTUS ALUMINUM  
DUMPSTER ENCLOSURE  
6' TALL STANDARD SINGLE BAY  
REAR ELEVATION

AMERICAN FENCE	CLIENT
PROJECT #	PROJECT #
REFERENCE	
JOB #	
CHKD BY:	SCALE: N.T.S.   DRAWN BY: AF   DATE: 02/09/2018   REV:   SHEET # 04