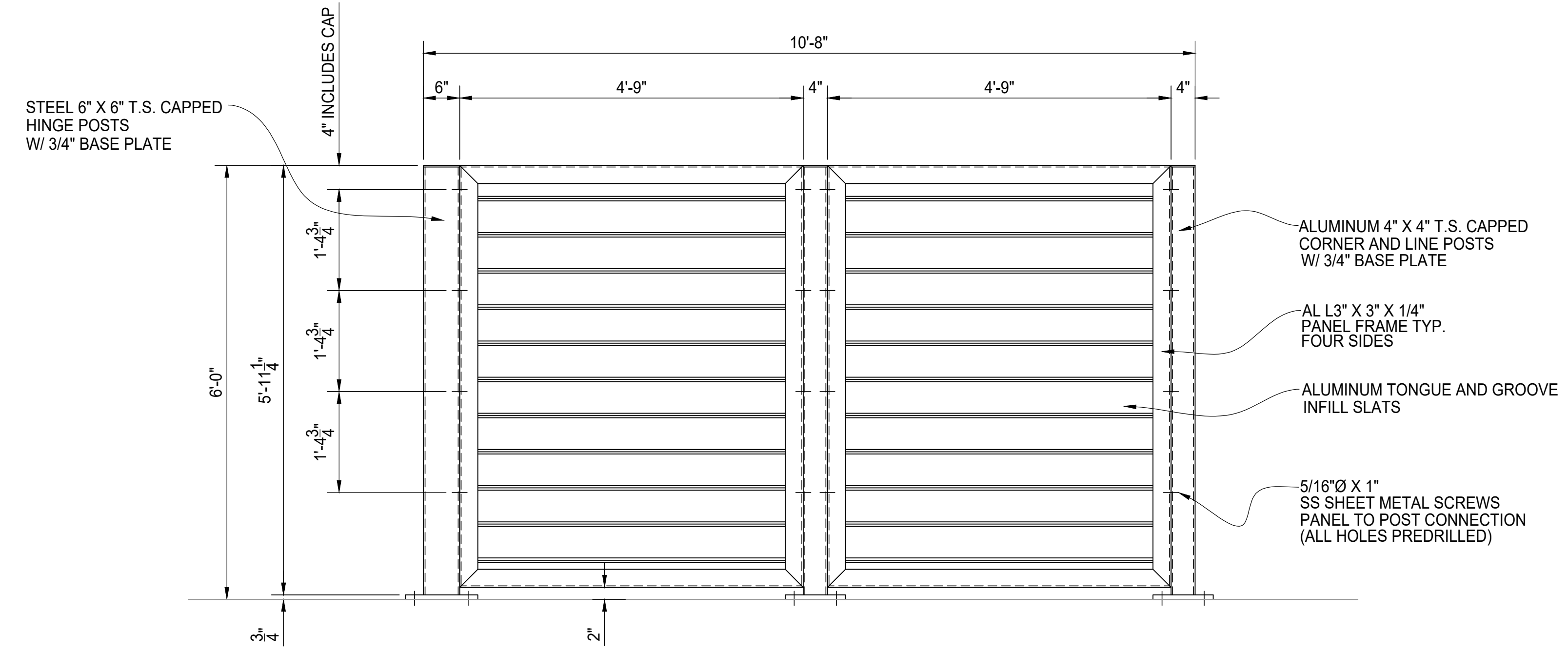
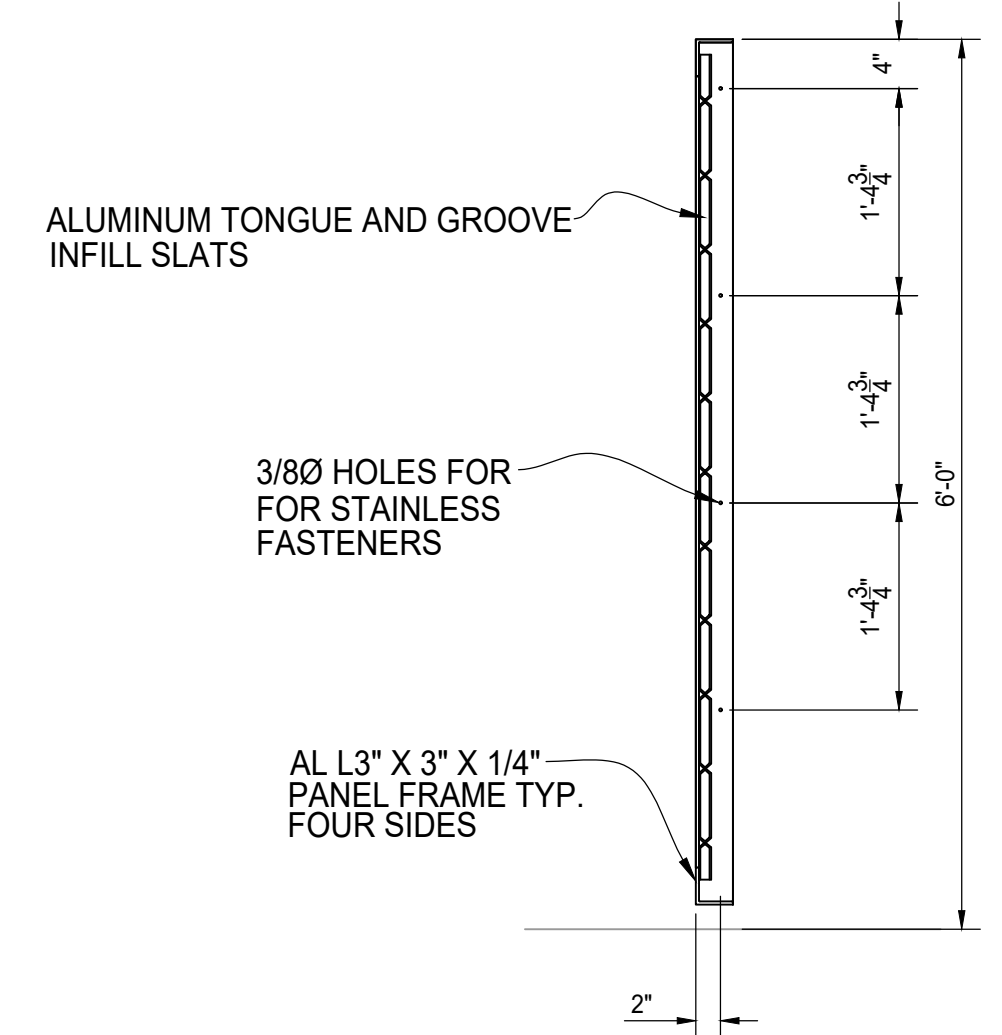


PLAN VIEW



(A) SIDE ELEVATION VIEW



TYPICAL PANEL SECTION



AUGUSTUS ALUMINUM
DUMPSTER ENCLOSURE
6' TALL STANDARD SINGLE BAY
SIDE ELEVATION

AMERICAN FENCE PROJECT #	CLIENT PROJECT #
REFERENCE JOB #	
CHKD BY:	SCALE: N.T.S.
DRAWN BY: AF	DATE: 02/09/2018
REV:	SHEET # 03