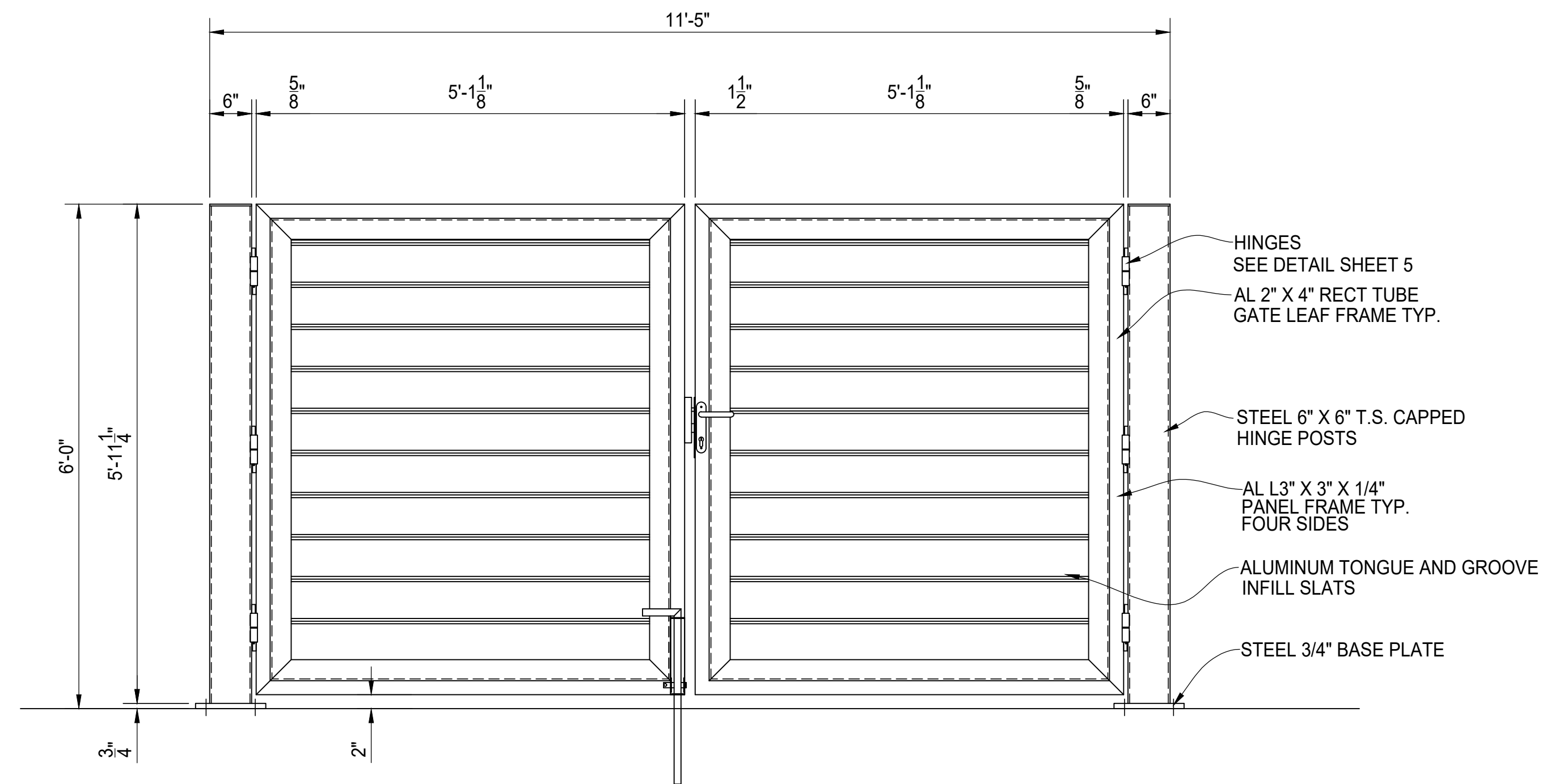
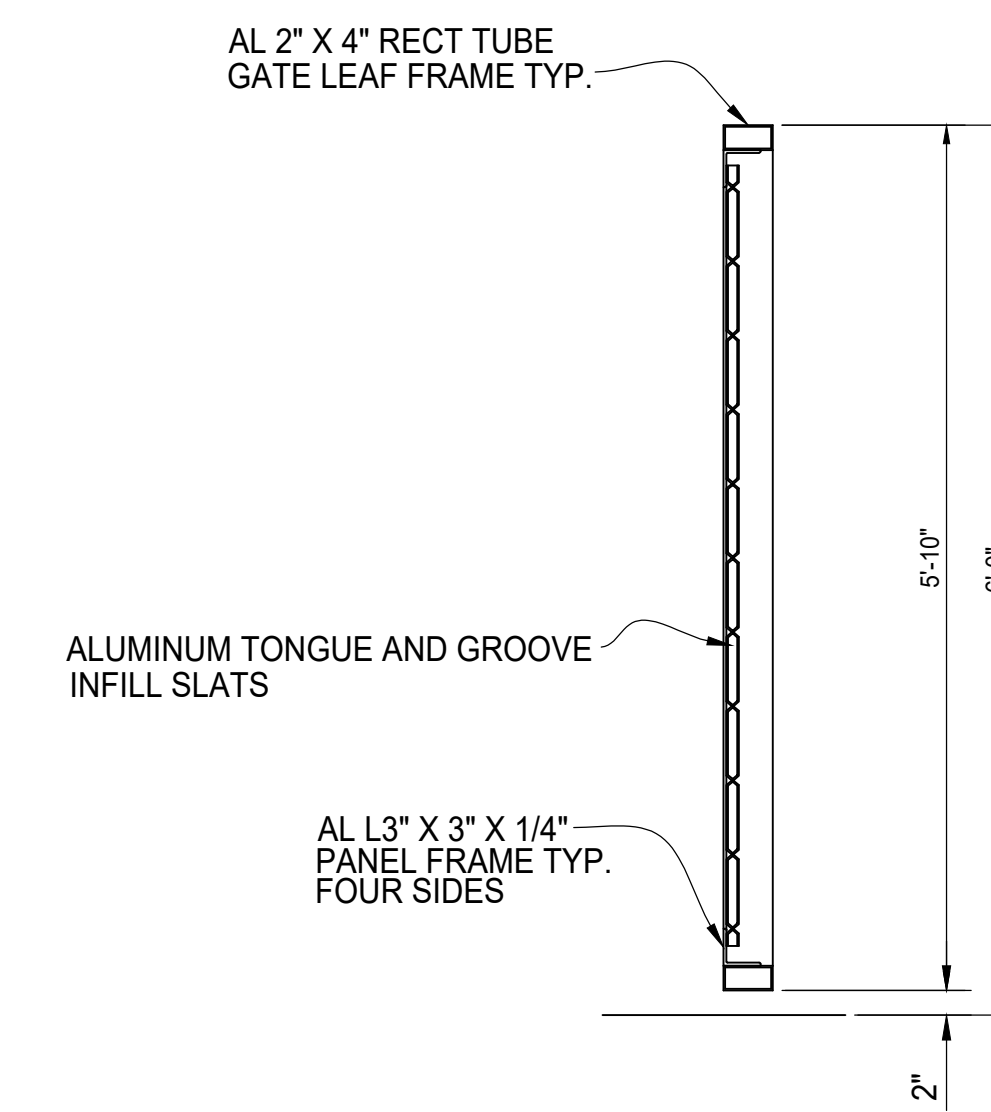


PLAN VIEW



A GATE ELEVATION VIEW  
SEE SHEET 05 FOR HINGE, LATCH AND DROP ROD DETAILS



TYPICAL GATE SECTION



AUGUSTUS ALUMINUM  
DUMPSTER ENCLOSURE  
6' TALL STANDARD SINGLE BAY  
GATE ELEVATION

AMERICAN FENCE PROJECT #	CLIENT PROJECT #
REFERENCE JOB #	
CHKD BY:	SCALE: N.T.S.   DRAWN BY: AF   DATE: 02/09/2018   REV:   SHEET # 02