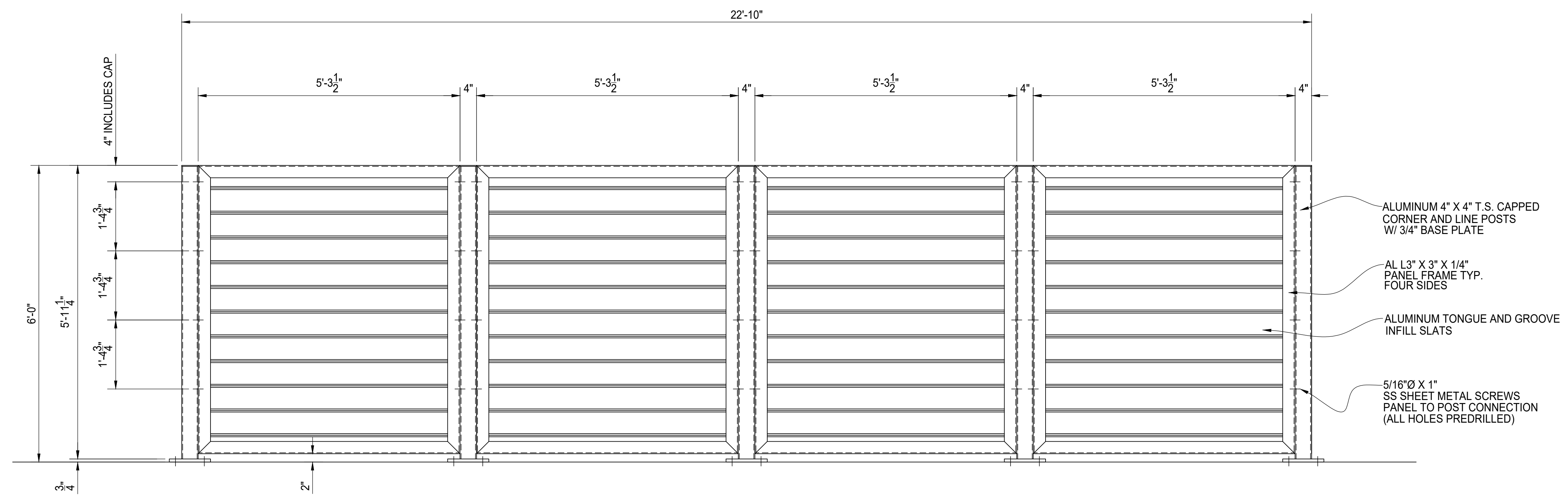
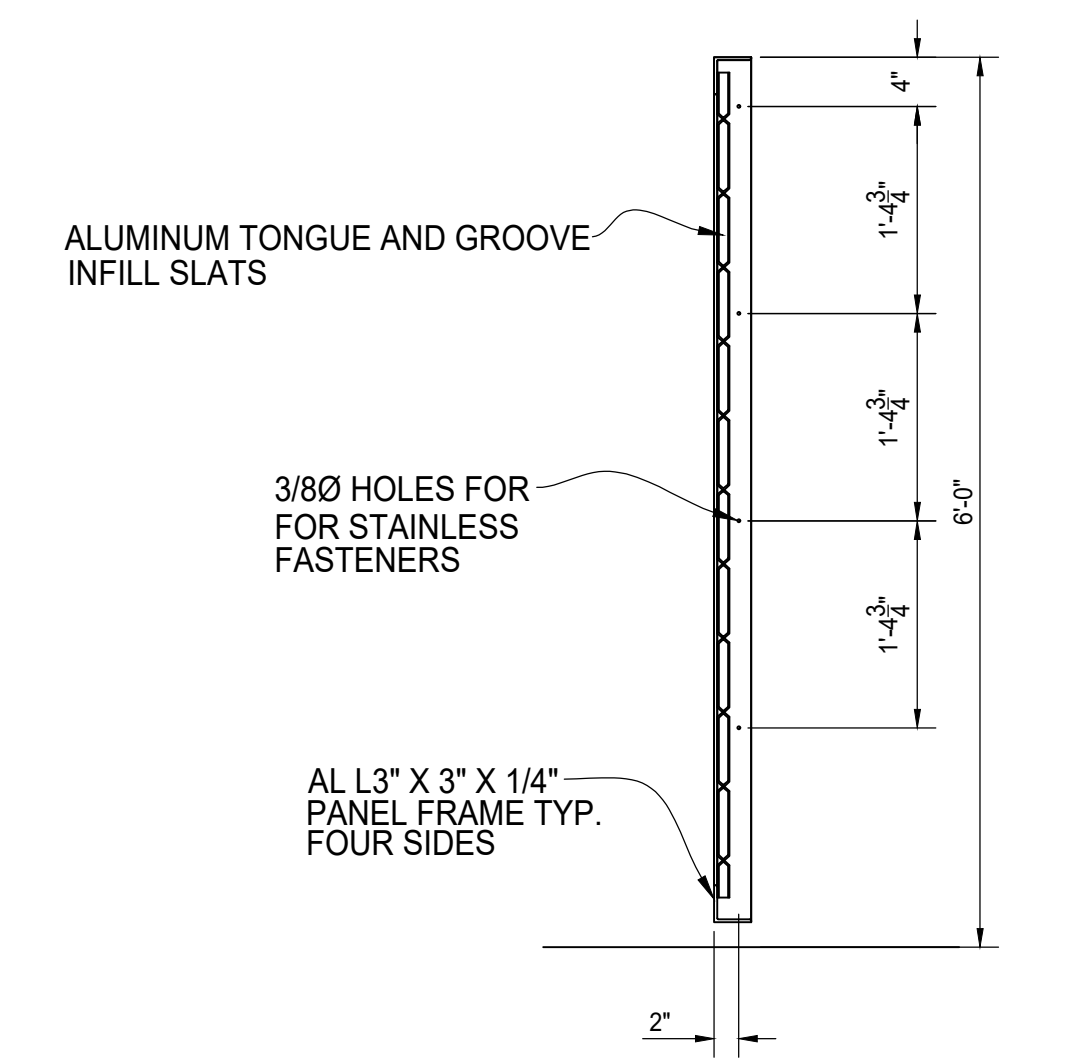


PLAN VIEW



(A) REAR ELEVATION VIEW



TYPICAL PANEL SECTION

- ALUMINUM 4" X 4" T.S. CAPPED CORNER AND LINE POSTS W/ 3/4" BASE PLATE
- AL L3" X 3" X 1/4" PANEL FRAME TYP. FOUR SIDES
- ALUMINUM TONGUE AND GROOVE INFILL SLATS
- 5/16"Ø X 1" SS SHEET METAL SCREWS PANEL TO POST CONNECTION (ALL HOLES PREDRILLED)

- ALUMINUM TONGUE AND GROOVE INFILL SLATS
- 3/8" HOLES FOR FOR STAINLESS FASTENERS
- AL L3" X 3" X 1/4" PANEL FRAME TYP. FOUR SIDES



AUGUSTUS ALUMINUM
DUMPSTER ENCLOSURE
6' TALL STANDARD DOUBLE BAY
REAR ELEVATION

AMERICAN FENCE PROJECT #	CLIENT PROJECT #
REFERENCE JOB #	
CHKD BY:	SCALE: N.T.S.
DRAWN BY: AF	DATE: 02/09/2018
REV:	SHEET # 04