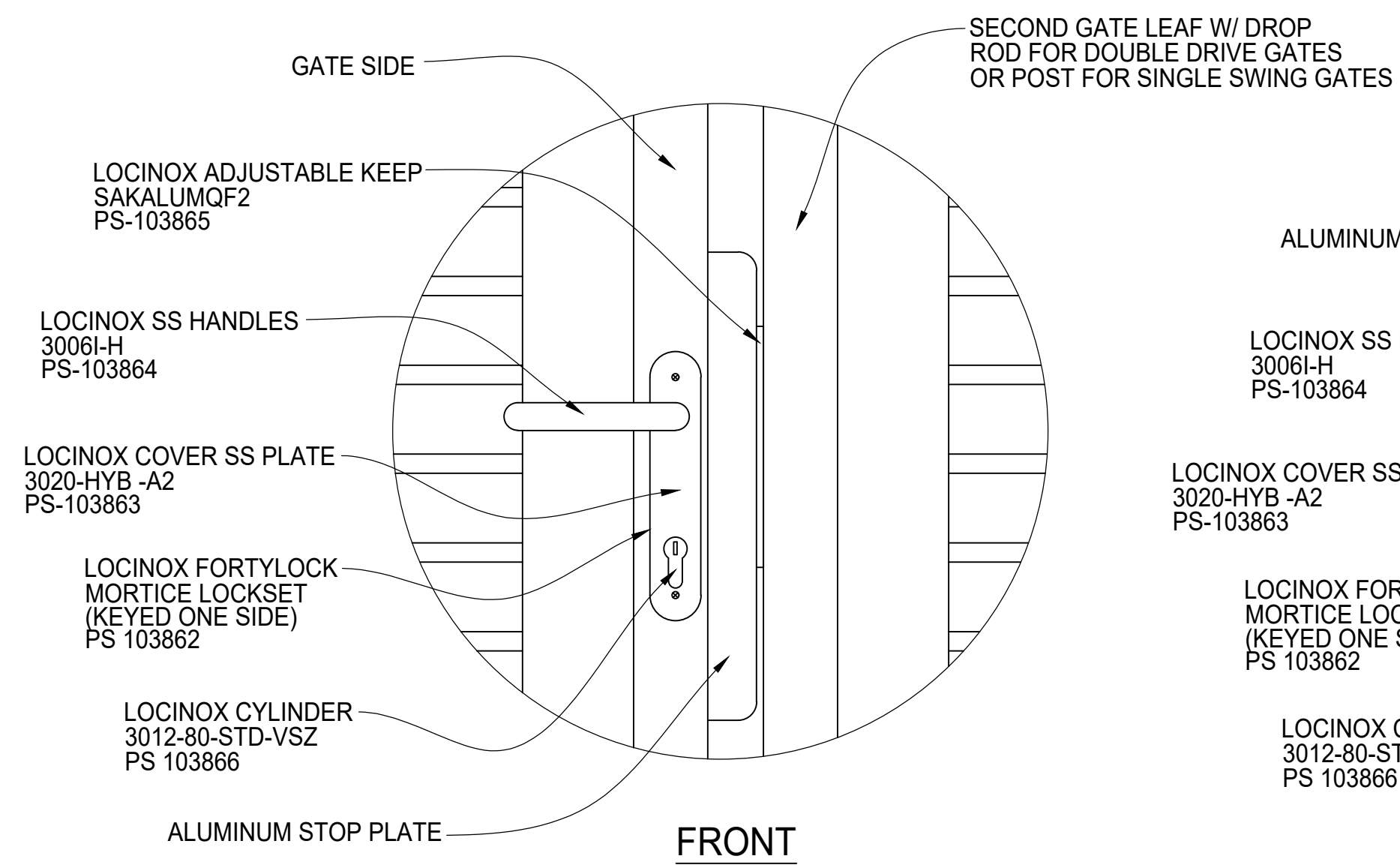
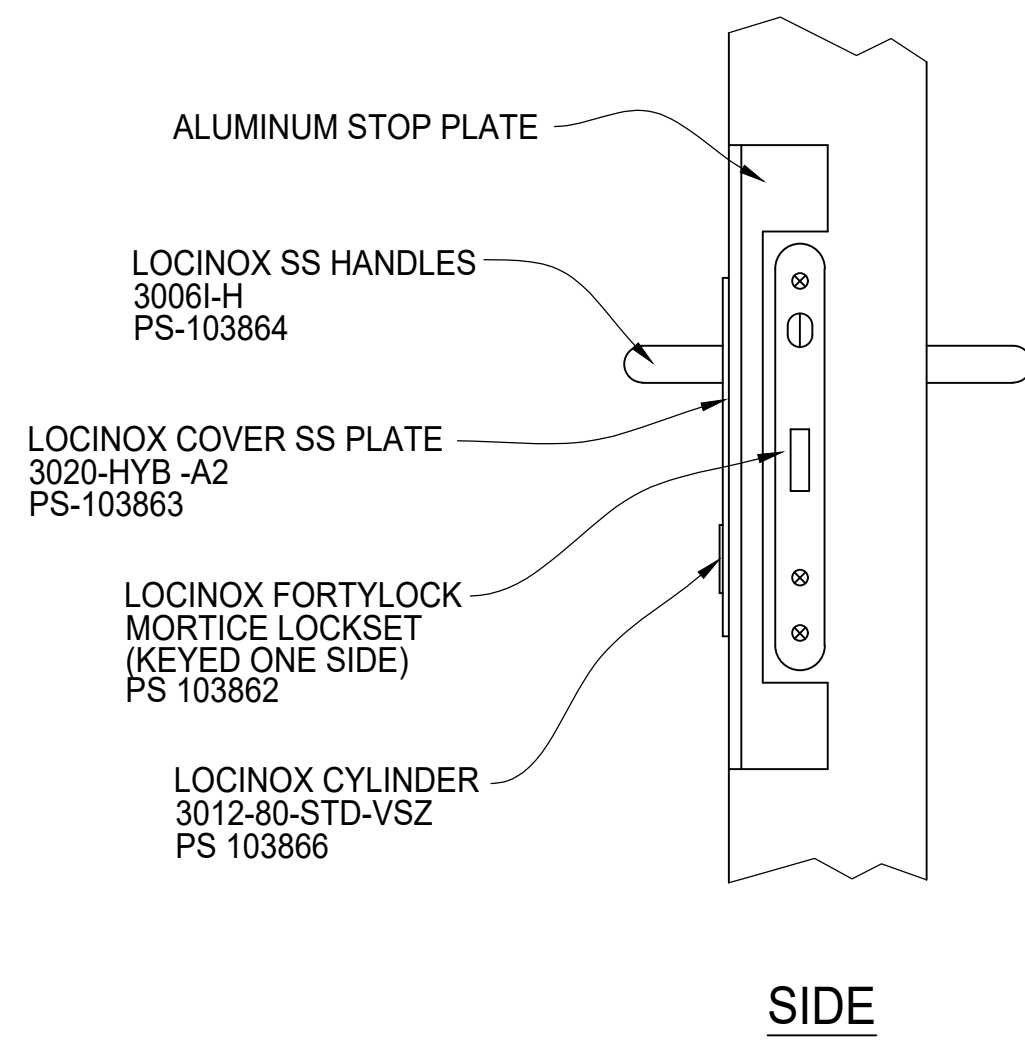


TOP

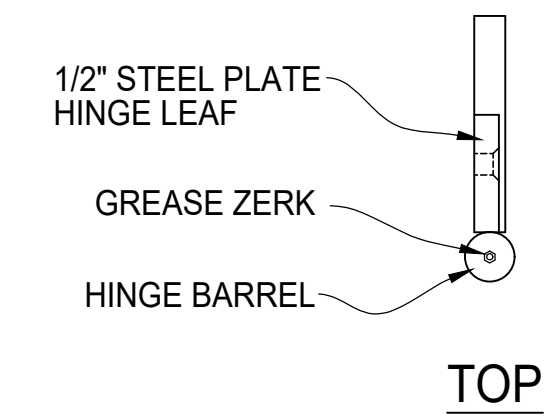


FRONT

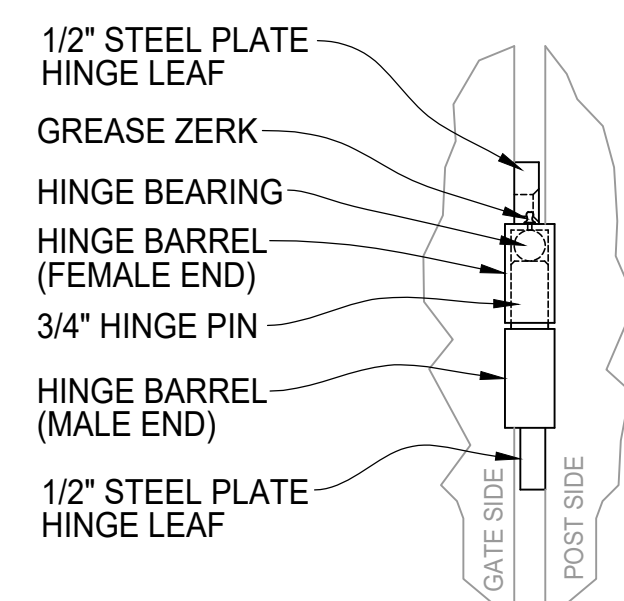


SIDE

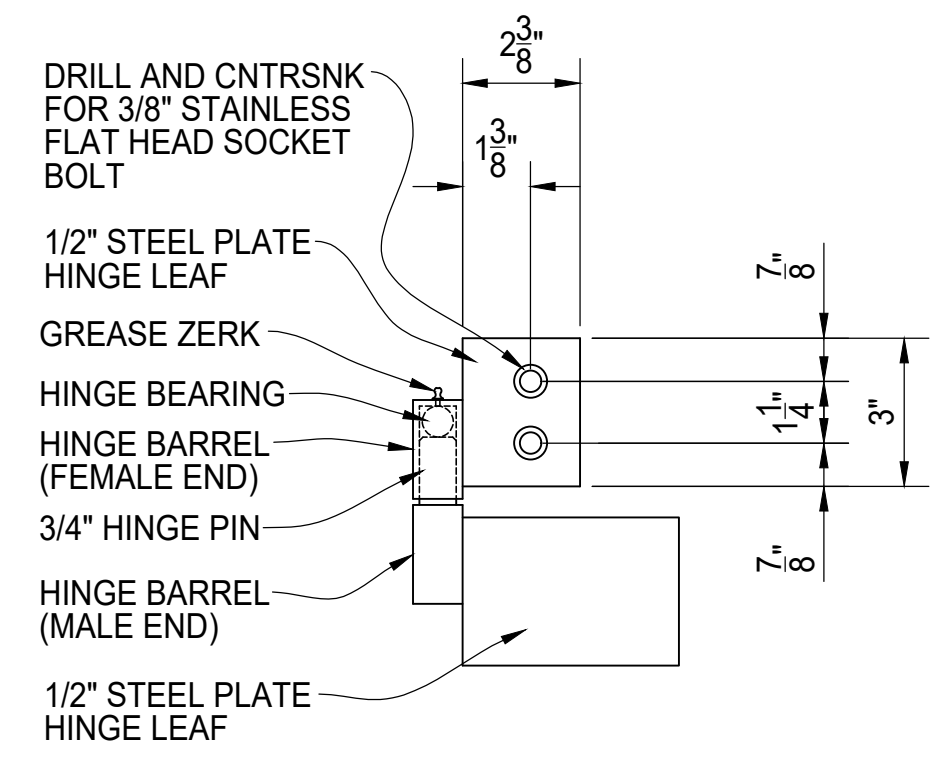
LATCH AND LOCK DETAIL



TOP



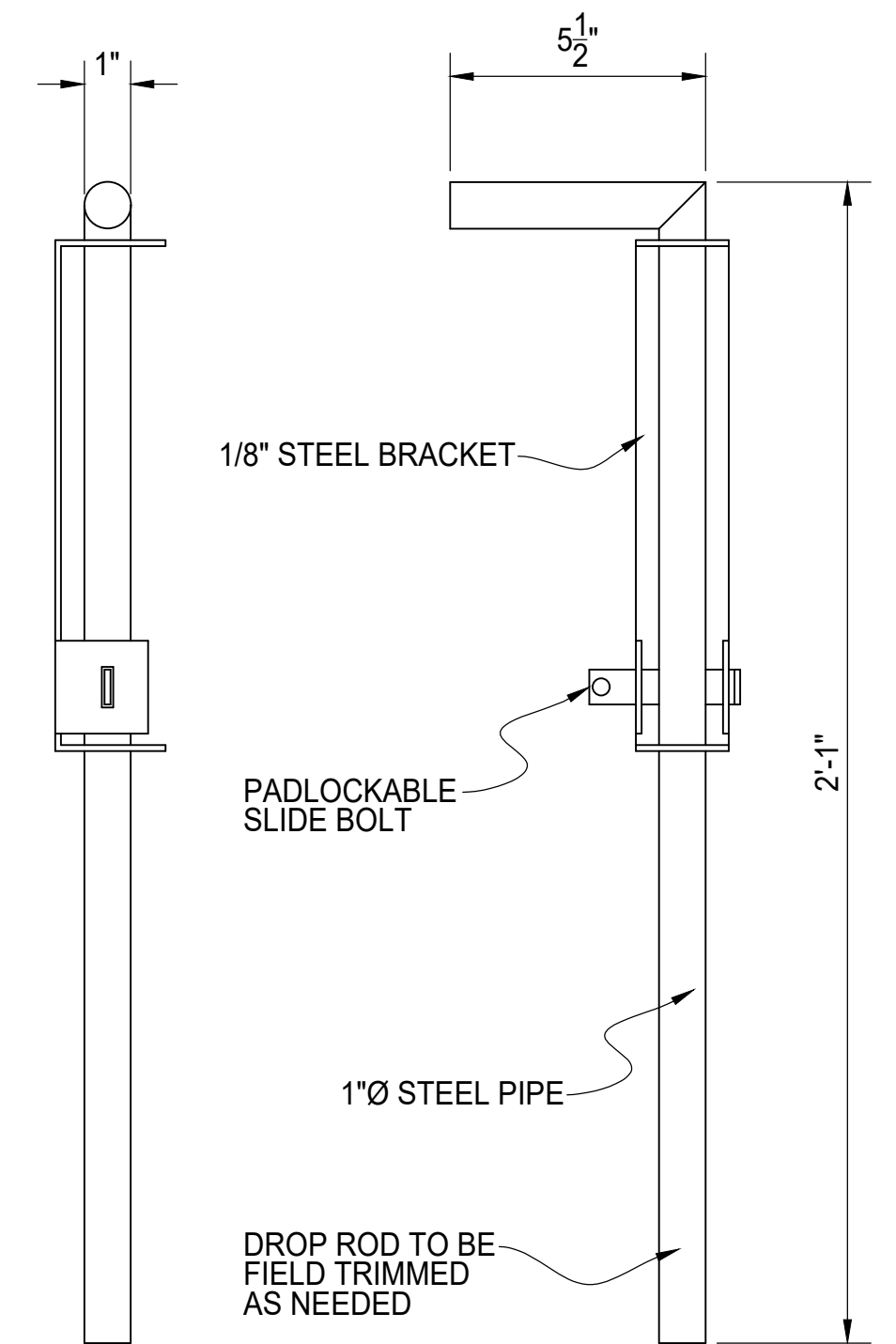
FRONT



SIDE

GORILLA HINGE II DETAIL

ZERK END IS FEMALE AND BOLTS TO GATE FRAME. MALE END IS TO BE FIELD WELDED TO GATE POST. (CAN BE SHOP WELDED UPON REQUEST) FIELD WELDING ALLOWS FOR MINOR ADJUSTMENTS TO BE MADE FOR PROPER ALIGNMENT. A "STOP" CAN BE FIELD WELDED TO THE GATE POST ABOVE THE HINGE TO PREVENT LIFT OFF. GORILLA HINGES ARE PRE-GREASED, BUT SHOULD BE GREASED AGAIN UPON INSTALLATION AND PERIODICALLY TO MAINTAIN PROPER FUNCTION.



DROP ROD DETAIL

REV	DESCRIPTION	DATE

**ELEMENT SCREENING
SEMI PRIVATE COMPOSITE INFILL
HARDWARE DETAILS**

AMERICAN FENCE PROJECT #	CLIENT PROJECT #
REFERENCE JOB #	
CHKD BY:	SCALE: N.T.S.
DRAWN BY: AF	DATE: 1/23/2020
REV	SHEET # 07