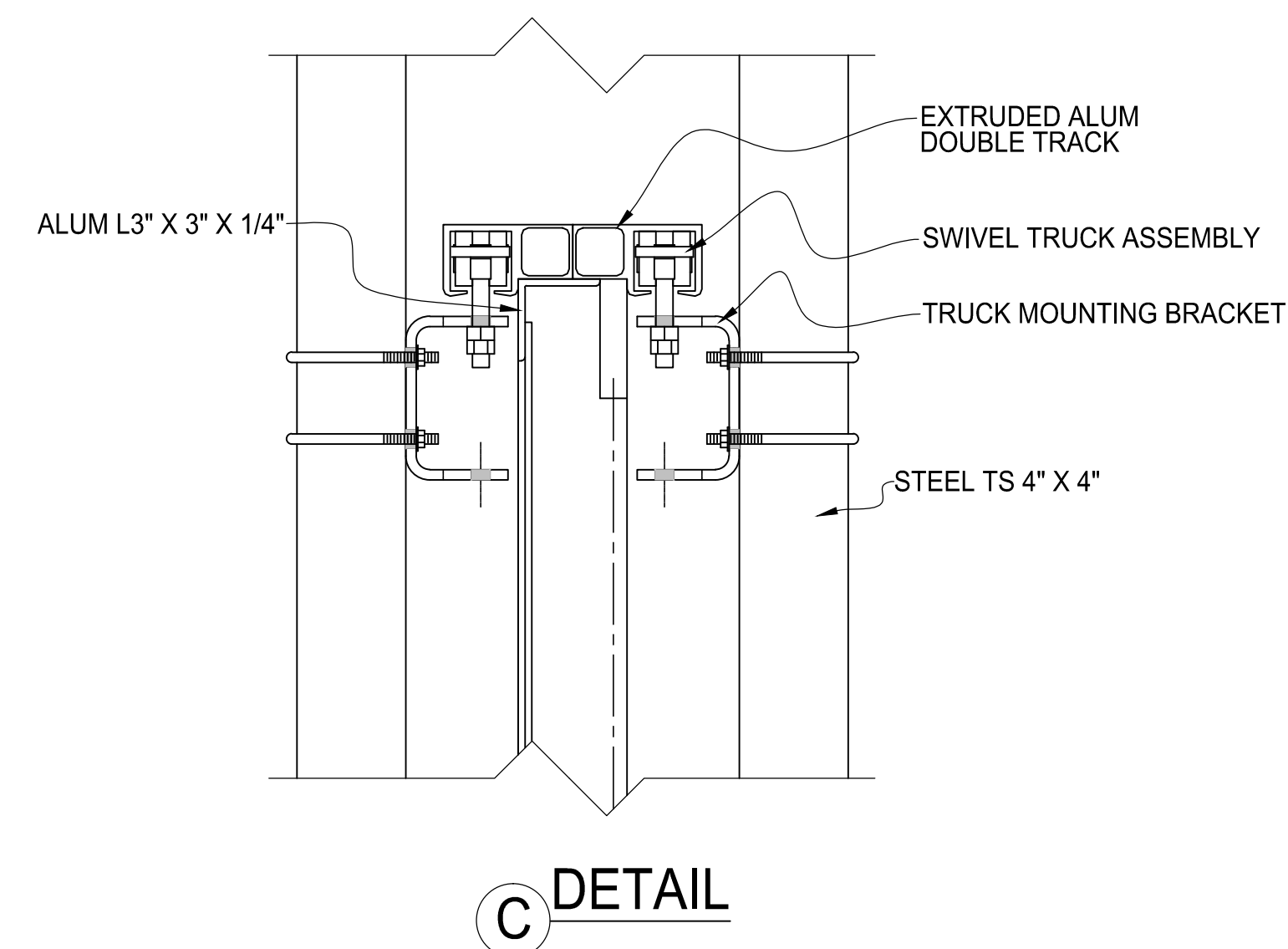
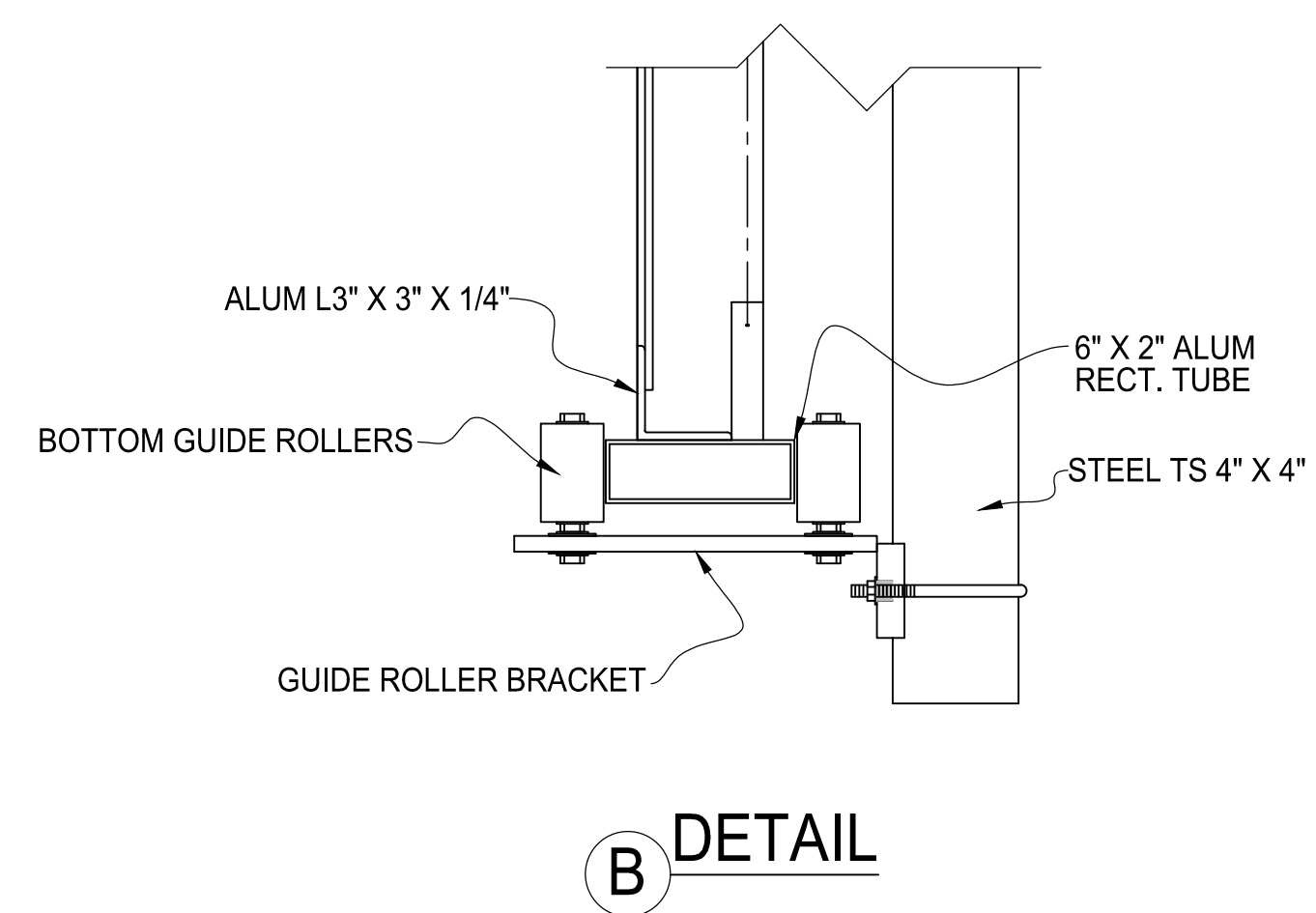


SLIDING CANTILEVER GATE
OUTSIDE LOOKING IN
 ALUM 2" X 2" SQUARE .25" WIRE WEAVE MESH



REV	DESCRIPTION	DATE



SLIDING CANTILEVER GATE
WIRE MESH INFILL

AMERICAN FENCE PROJECT #	CLIENT PROJECT #
REFERENCE	DATE
JOB #	SCALE N.T.S.
CHD BY	DRAWN BY AF DATE 02/28/2018 REV SHEET # 09