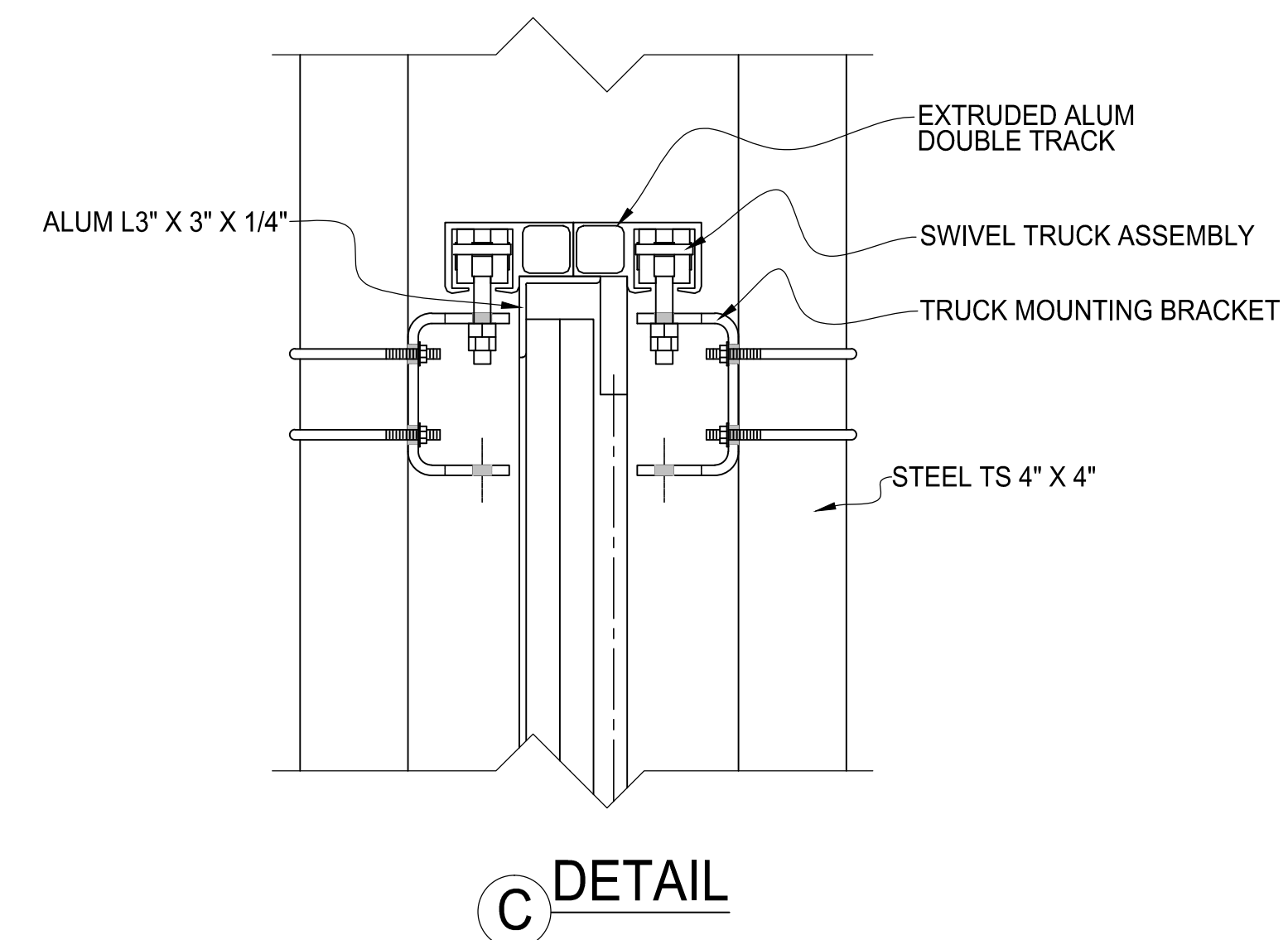
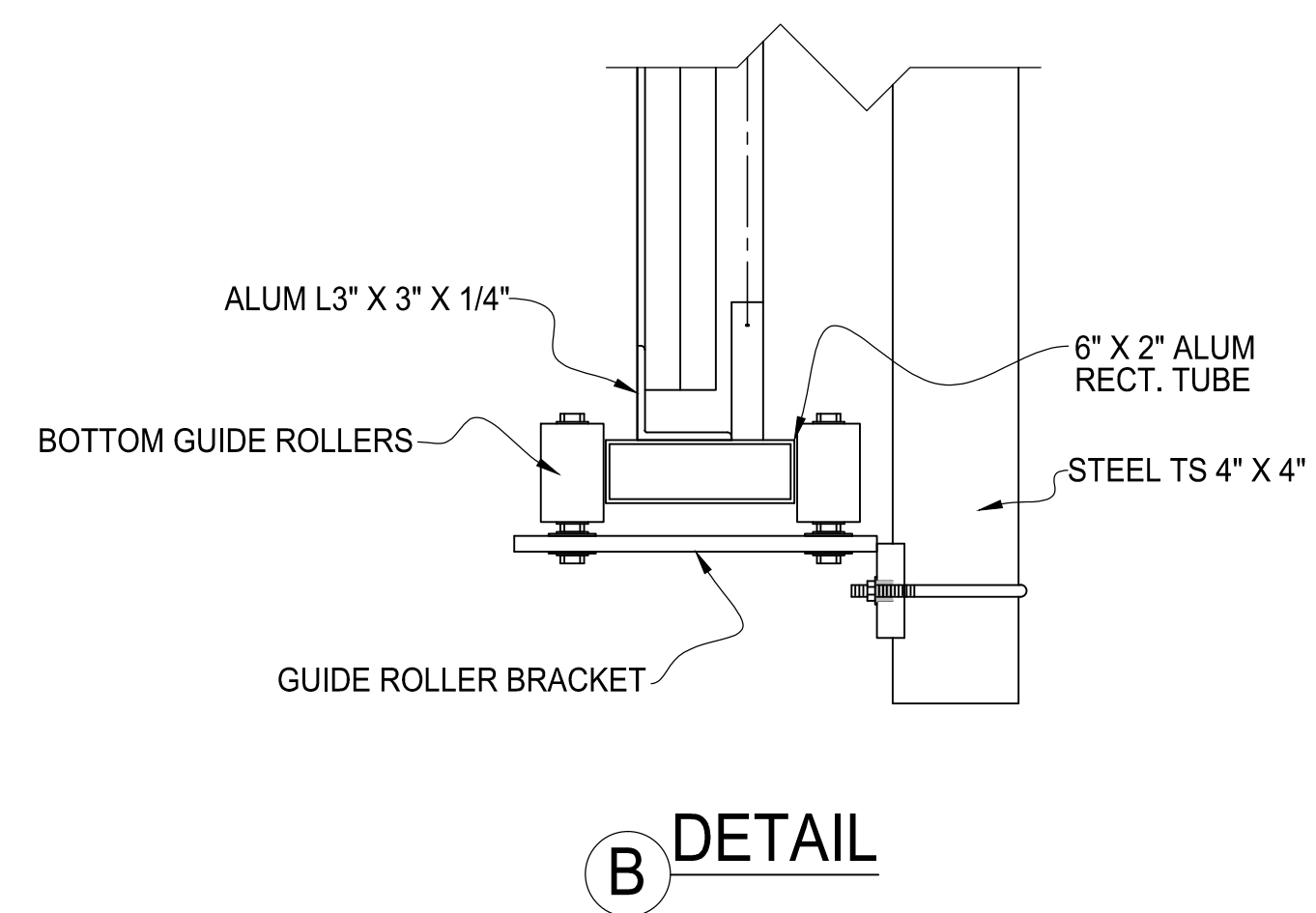


**SLIDING CANTILEVER GATE**  
**OUTSIDE LOOKING IN**  
 ALUM 1 3/4" X 1 3/4" X 1/8" ANGLE VERTICAL LOUVERS



REV	DESCRIPTION	DATE



**SLIDING CANTILEVER GATE**  
**VERTICAL LOUVER INFILL**

AMERICAN FENCE PROJECT #	CLIENT PROJECT #
REFERENCE	
JOB #	
CHD BY	
SCALE: N.T.S.	DRAWN BY: AF DATE: 02/28/2018 REV: SHEET # 09