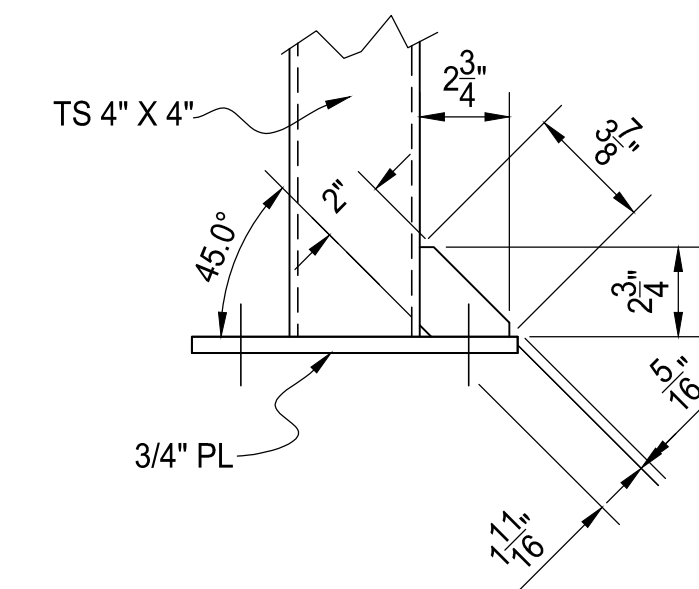


TYPICAL BASE PLATE DETAIL
STEEL



TYPICAL GUSSET DETAIL
STEEL

REV	DESCRIPTION	DATE



**GATE BASE PLATE
VERTICAL LOUVER INFILL**

AMERICAN FENCE PROJECT #	CLIENT PROJECT #
REFERENCE	DATE
JOB #	SCALE
CHD	DRAWN BY
BY	DATE
	REV
	SHEET #

SCALE: N.T.S. DRAWN BY: AF DATE: 02/28/2018 REV: SHEET # 07