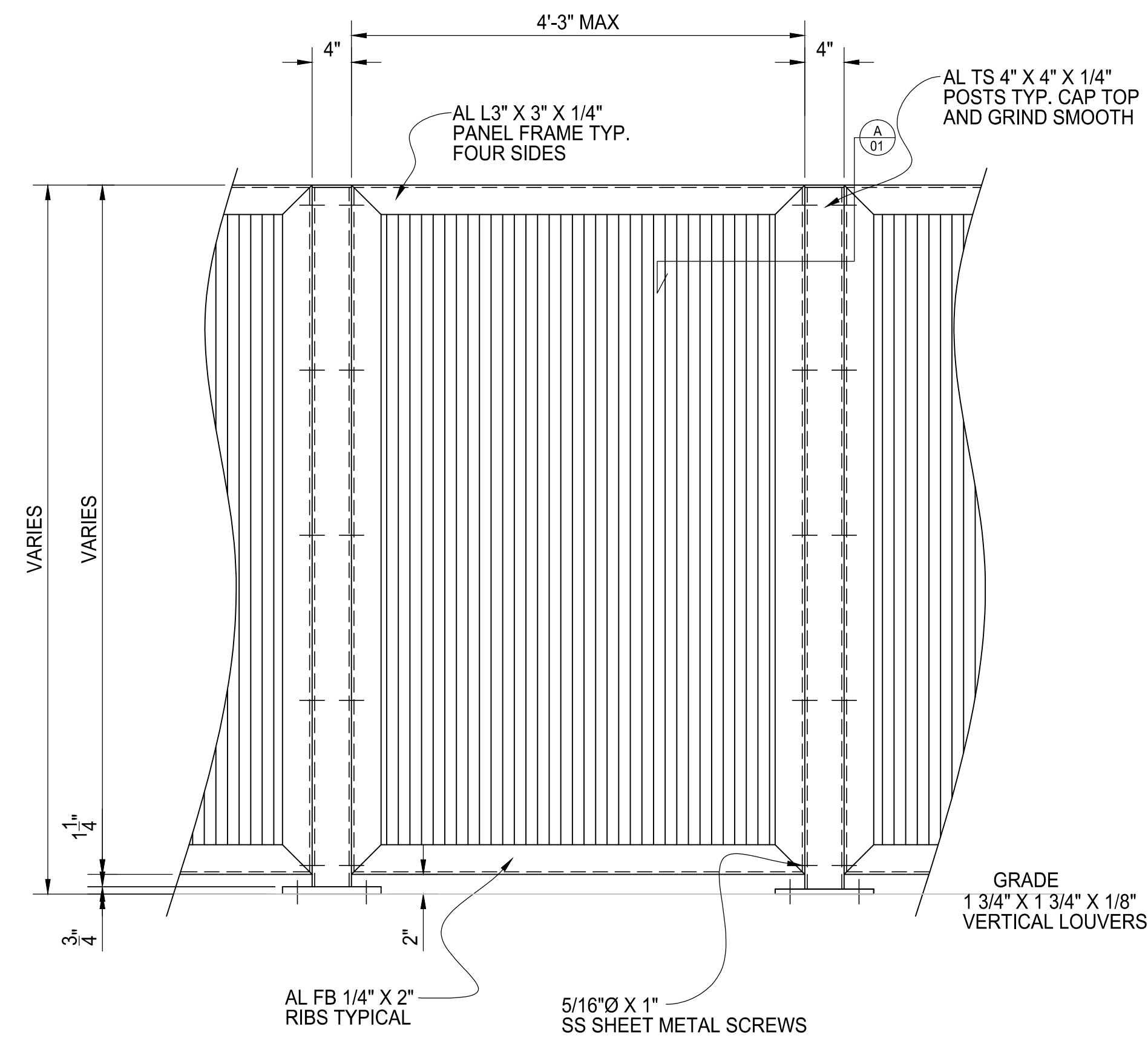


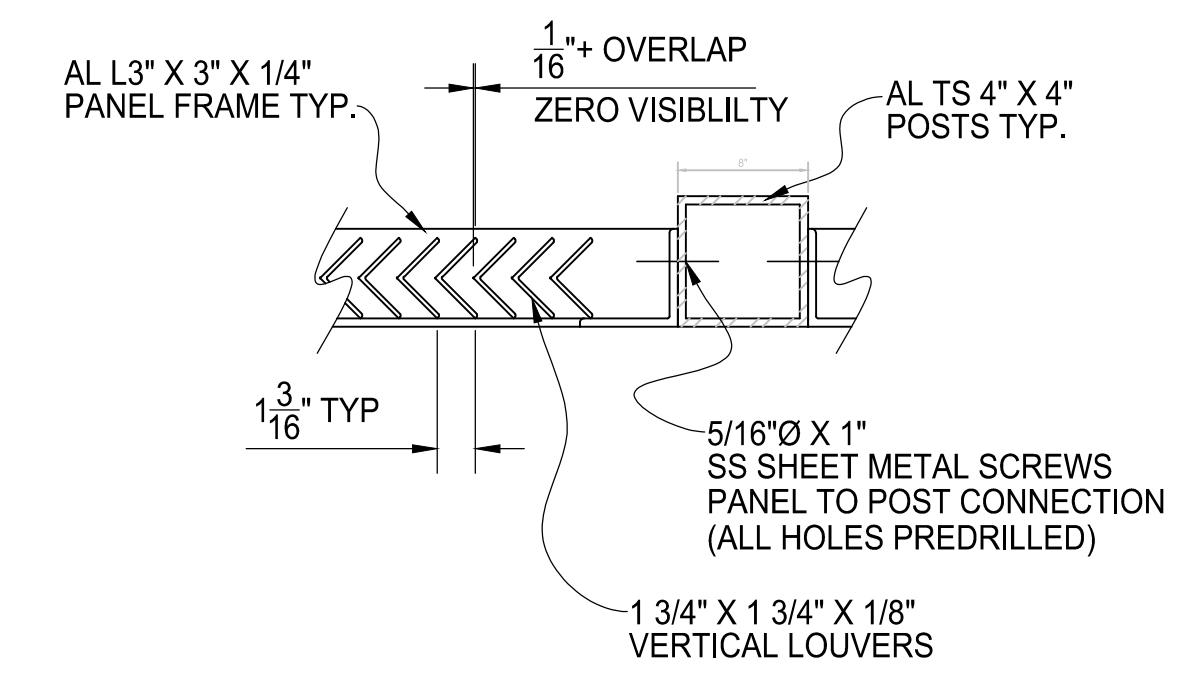
PLAN VIEW



ELEVATION VIEW

TYPICAL WIRE MESH INFILL PANEL DETAIL

ALUM 1 3/4" X 1 3/4" X 1/8" ANGLE VERTICAL LOUVERS



TYPICAL SECTION DETAIL

REV	DESCRIPTION	DATE



**PANEL AND POST DETAIL
VERTICAL LOUVER INFILL**

AMERICAN FENCE PROJECT #	CLIENT PROJECT #
REFERENCE	
JOB #	
CHD	
BY	
SCALE: N.T.S.	DRAWN BY: AF DATE: 02/28/2018 REV: SHEET # 01