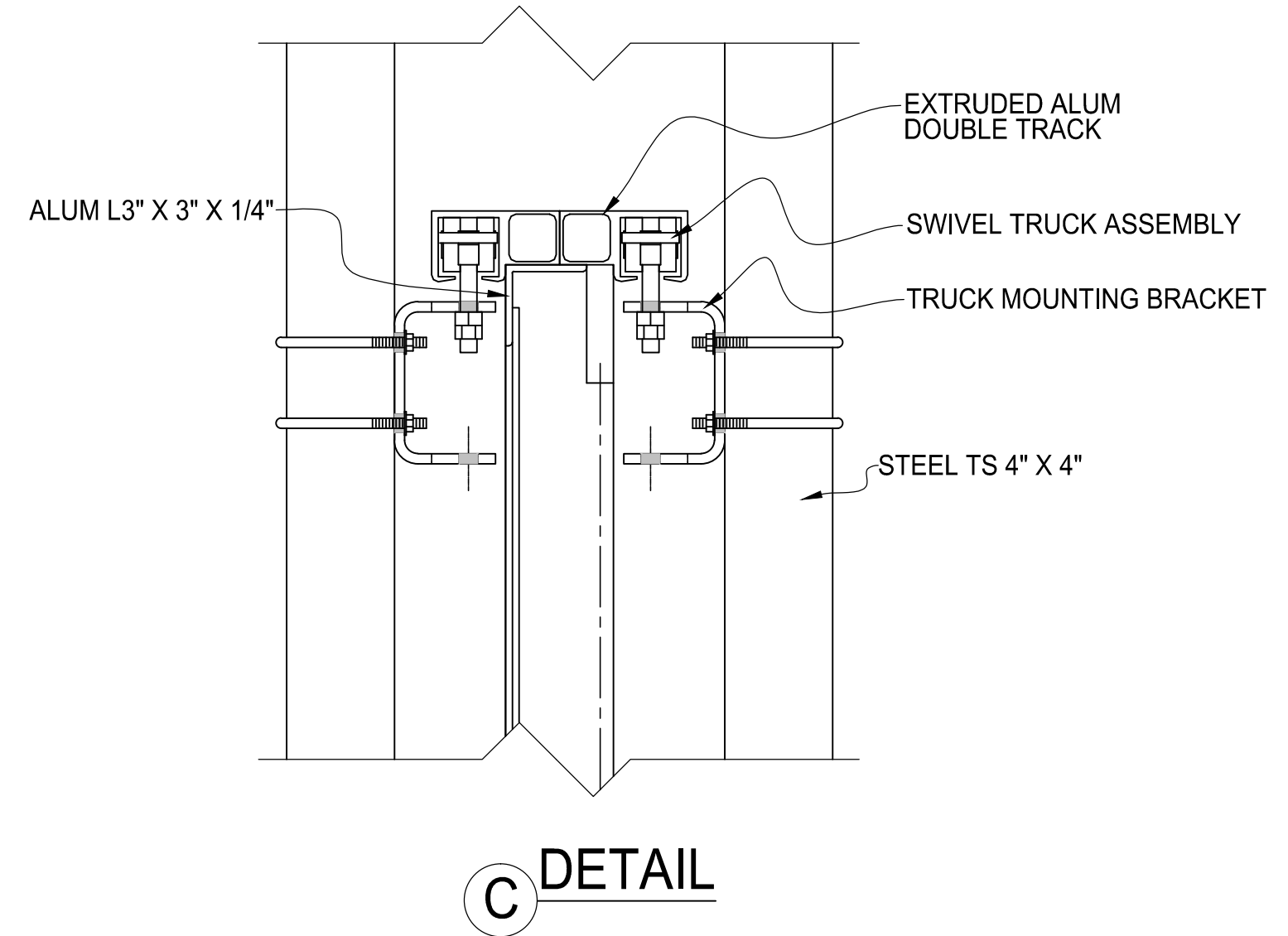
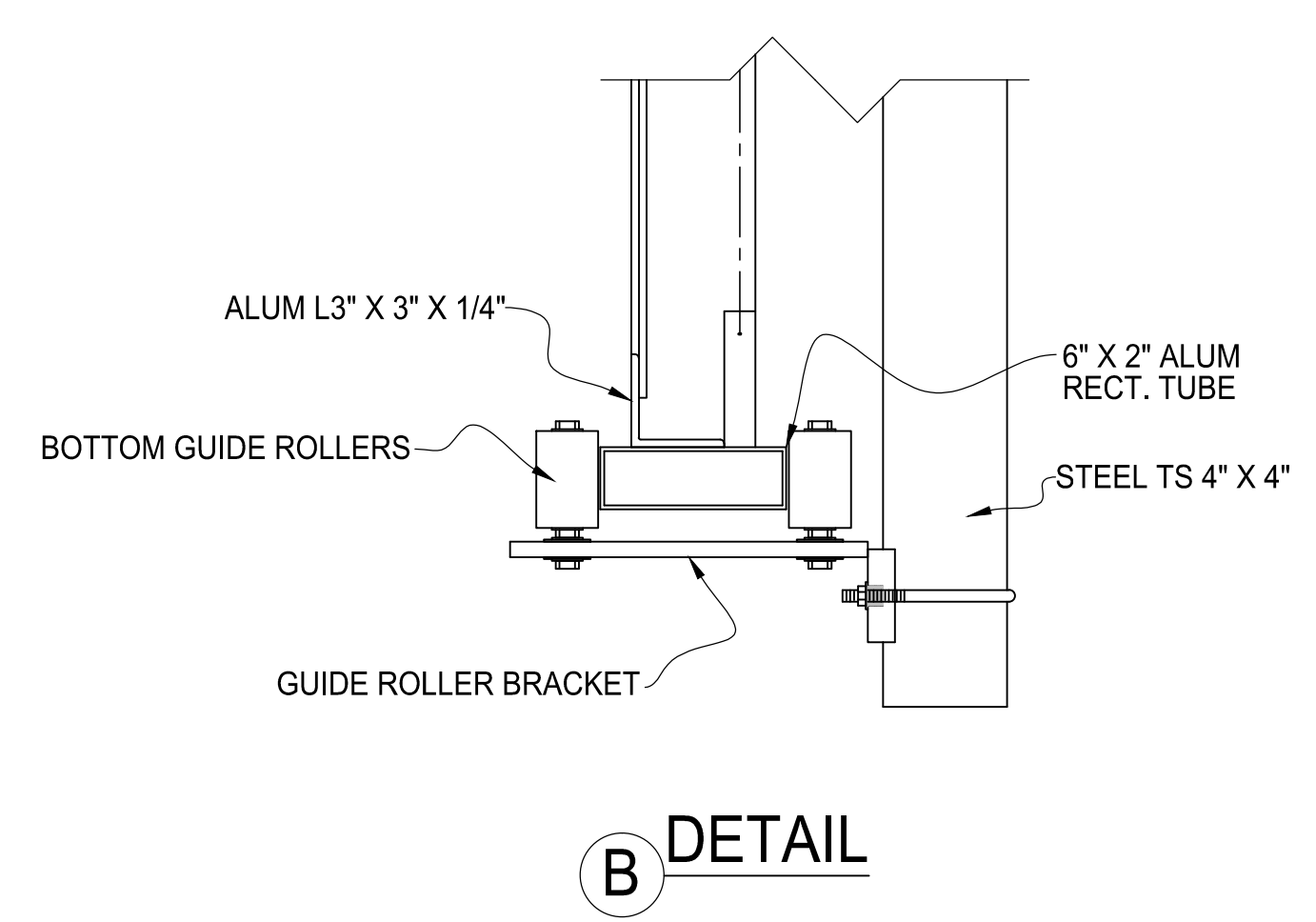


**SLIDING CANTILEVER GATE
OUTSIDE LOOKING IN**

1/8" THICK ALUMINUM W/ 1"Ø HOLES ON 1 1/4" CENTERS (58% OPEN)



REV	DESCRIPTION	DATE

**SLIDING CANTILEVER GATE
PERFORATED INFILL**

AMERICAN FENCE PROJECT #	CLIENT PROJECT #
REFERENCE JOB #	SCALE N.T.S.
CHD BY	DRAWN BY AF DATE 02/28/2018 REV SHEET # 09